



- (51) International Patent Classification:
A01G 25/00 (2006.01) A01G 25/02 (2006.01)
- (21) International Application Number:
PCT/IN2015/000229
- (22) International Filing Date:
3 June 2015 (03.06.2015)
- (25) Filing Language:
English
- (26) Publication Language:
English
- (30) Priority Data:
1826/MUM/2014 3 June 2014 (03.06.2014) IN
- (71) Applicant: JAIN IRRIGATION SYSTEMS LIMITED
[IN/IN]; Jain Plastic Park, NH No. 6, Bambhori, Jalgaon - 425 001, Maharashtra (IN).
- (72) Inventors: PATIL MAHESH BABURAO; Jain Plastic Park, NH No. 6, Bambhori, Jalgaon - 425 001, Maharashtra (IN). JAIN AJIT BHAVARLAL; Jain Plastic Park, NH No. 6, Bambhori, Jalgaon - 425 001, Maharashtra (IN). COHEN TOMER; Jain Plastic Park, NH No. 6, Bambhori, Jalgaon - 425 001, Maharashtra (IN).
- (74) Agent: ROY CHOWDHURY, MAHUA; Intellectual Property Services., Calcot House, 3rd Floor, 8/10 M.P. Shetty Marg, Fort, Mumbai - 400 023, Maharashtra (IN).

- (81) Designated States (unless otherwise indicated, for every kind of national protection available): AE, AG, AL, AM, AO, AT, AU, AZ, BA, BB, BG, BH, BN, BR, BW, BY, BZ, CA, CH, CL, CN, CO, CR, CU, CZ, DE, DK, DM, DO, DZ, EC, EE, EG, ES, FI, GB, GD, GE, GH, GM, GT, HN, HR, HU, ID, IL, IN, IR, IS, JP, KE, KG, KN, KP, KR, KZ, LA, LC, LK, LR, LS, LU, LY, MA, MD, ME, MG, MK, MN, MW, MX, MY, MZ, NA, NG, NI, NO, NZ, OM, PA, PE, PG, PH, PL, PT, QA, RO, RS, RU, RW, SA, SC, SD, SE, SG, SK, SL, SM, ST, SV, SY, TH, TJ, TM, TN, TR, TT, TZ, UA, UG, US, UZ, VC, VN, ZA, ZM, ZW.
- (84) Designated States (unless otherwise indicated, for every kind of regional protection available): ARIPO (BW, GH, GM, KE, LR, LS, MW, MZ, NA, RW, SD, SL, ST, SZ, TZ, UG, ZM, ZW), Eurasian (AM, AZ, BY, KG, KZ, RU, TJ, TM), European (AL, AT, BE, BG, CH, CY, CZ, DE, DK, EE, ES, FI, FR, GB, GR, HR, HU, IE, IS, IT, LT, LU, LV, MC, MK, MT, NL, NO, PL, PT, RO, RS, SE, SI, SK, SM, TR), OAPI (BF, BJ, CF, CG, CI, CM, GA, GN, GQ, GW, KM, ML, MR, NE, SN, TD, TG).

Declarations under Rule 4.17:

- as to the identity of the inventor (Rule 4.17(i))
- as to applicant's entitlement to apply for and be granted a patent (Rule 4.17(ii))
- of inventorship (Rule 4.17(iv))

[Continued on next page]

(54) Title: A FLUID CONVEYING APPARATUS

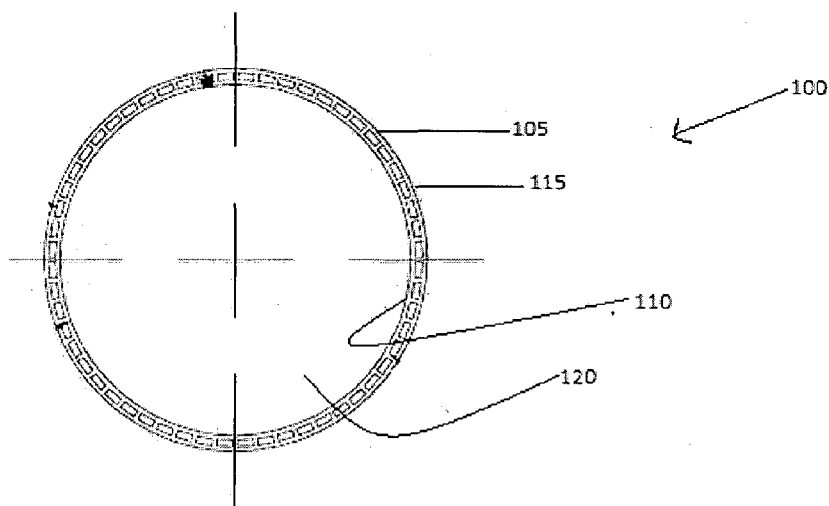


Figure 1

(57) Abstract: A fluid conveying apparatus is disclosed. The apparatus comprises a circular tubing. The circular tubing further comprises an internal surface and an external surface. The internal surface encloses a circular passage for conveying a fluid and the external surface is disposed concentric to the internal surface, and distal to the circular passage. Further, the circular tubing comprises a plurality of channels disposed along a periphery of the circular tubing sandwiched between the internal surface and the external surface.





Published:

(88) Date of publication of the international search report:

- *with international search report (Art. 21(3))*
- *before the expiration of the time limit for amending the claims and to be republished in the event of receipt of amendments (Rule 48.2(h))*

25 February 2016

INTERNATIONAL SEARCH REPORT

International application No.

PCT/IN 15/00229

A. CLASSIFICATION OF SUBJECT MATTER
 IPC(8) - A01G 25/00, A01G 25/02 (2015.01)
 CPC - A01G 25/00, A01G 25/02, A01G 25/023
 According to International Patent Classification (IPC) or to both national classification and IPC

B. FIELDS SEARCHED
 Minimum documentation searched (classification system followed by classification symbols)
 IPC (8) A01G 25/00, A01G 25/02 (2015.01)
 CPC: A01G 25/00, A01G 25/02, A01G 25/023

Documentation searched other than minimum documentation to the extent that such documents are included in the fields searched
 IPC (8) A01G 25/00, A01G 25/06, A01G 25/02, B05B 1/30, B05B 15/00, F16L 9/18 (2015.01)
 CPC: A01G 25/00, A01G 25/06, A01G 25/02, A01G 25/023, B05B1/30, B05B15/00, F16L9/18 (keyword limited; terms below)

Electronic data base consulted during the international search (name of data base and, where practicable, search terms used)
 PatBase; Google Patents; Google Scholar; Google Web;
 Search terms used: Fluid liquid water conveying transmitting distributing irrigation drip circular round tubing hose conduit piping channel rib passage periphery edge lining dripper co-extruded kinking

C. DOCUMENTS CONSIDERED TO BE RELEVANT

| Category* | Citation of document, with indication, where appropriate, of the relevant passages | Relevant to claim No. |
|-----------|--|-----------------------|
| Y | US 2012/0085455 A1 (Loebinger et al.) 12 April 2012 (12.04.2012), entire document, especially Fig. 3, 7; para[0054]; para[0056]; para[0041]; para[0055]; para[0047]; | 1-8 |
| Y | US 7,025,580 B2 (Heagy et al.) 11 April 2006 (11.04.2006), entire document, especially Fig. 7; col 13, ln 10-12; col 1, ln 12-16; | 1-8 |
| A | US 6,220,079 B1 (Taylor et al.) 24 April 2001 (24.04.2001), entire document | 1-8 |
| A | US 2003/0057301 A1 (Cohen) 27 March 2003 (27.03.2003), entire document | 1-8 |
| A | US 5,688,072 A (Meyer et al.) 18 November 1997 (18.11.1997), entire document | 1-8 |
| A | WO 2001/31999 A1 (Ruskin) 10 May 2001 (10.05.2001), entire document | 1-8 |
| A | US 4,474,330 A (Langa) 02 October 1984 (02.10.1984), entire document | 1-8 |
| A | US 3,667,685 A (Rinkewich) 06 June 1972 (06.06.1972), entire document | 1-8 |

Further documents are listed in the continuation of Box C.

| | |
|---|--|
| * Special categories of cited documents: | “T” later document published after the international filing date or priority date and not in conflict with the application but cited to understand the principle or theory underlying the invention |
| “A” document defining the general state of the art which is not considered to be of particular relevance | “X” document of particular relevance; the claimed invention cannot be considered novel or cannot be considered to involve an inventive step when the document is taken alone |
| “E” earlier application or patent but published on or after the international filing date | “Y” document of particular relevance; the claimed invention cannot be considered to involve an inventive step when the document is combined with one or more other such documents, such combination being obvious to a person skilled in the art |
| “L” document which may throw doubts on priority claim(s) or which is cited to establish the publication date of another citation or other special reason (as specified) | “&” document member of the same patent family |
| “O” document referring to an oral disclosure, use, exhibition or other means | |
| “P” document published prior to the international filing date but later than the priority date claimed | |

| | |
|---|--|
| Date of the actual completion of the international search 10 November 2015 | Date of mailing of the international search report 14 DEC 2015 |
|---|--|

| | |
|---|--|
| Name and mailing address of the ISA/US Mail Stop PCT, Attn: ISA/US, Commissioner for Patents P.O. Box 1450, Alexandria, Virginia 22313-1450 Facsimile No. 571-273-8300 | Authorized officer: Lee W. Young PCT Helpdesk: 571-272-4300 PCT OSP: 571-272-7774 |
|---|--|