



- (51) International Patent Classification:  
C08F 2/38 (2006.01)
- (21) International Application Number:  
PCT/US2012/071767
- (22) International Filing Date:  
27 December 2012 (27.12.2012)
- (25) Filing Language: English
- (26) Publication Language: English
- (30) Priority Data:  
61/582,181 30 December 2011 (30.12.2011) US  
61/607,455 6 March 2012 (06.03.2012) US
- (71) Applicant (for all designated States except US): UNIVERSITY OF WASHINGTON, THROUGH ITS CENTER FOR COMMERCIALIZATION [US/US]; 4311 11th Avenue N.E., Suite 500, Seattle, WA 98105-4608 (US).
- (72) Inventors; and  
(71) Applicants (for US only): CHIU, Daniel, T. [CA/US]; 7009 40th Ave NE, Seattle, WA 98115 (US). WU, Chang-

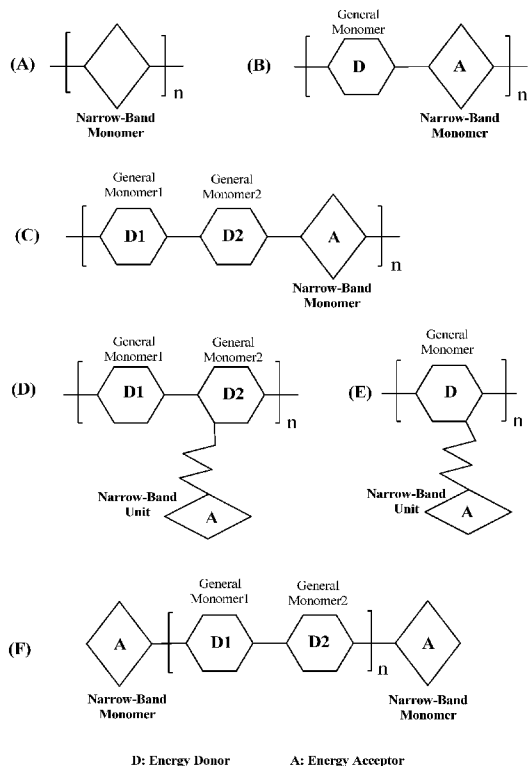
feng [CN/CN]; 2255 Qianjin Street, Changchun, 130012 (CN). RONG, Yu [CN/US]; 3220 Ne 88th St, Seattle, WA 98115 (US). ZHANG, Yong [CN/US]; 3118 NE 123rd St., Apt. 36, Seattle, WA 98125 (US). WU, Yi-Che [—/US]; 12316 28th Ave NE, Apt 415, Seattle, WA 98125 (US). CHAN, Yang-Hsiang [—/US]; 12012 10th PI NE, D201, Seattle, WA 98115 (US). ZHANG, Xuanjun [CN/SE]; Troskaregatan 10.110, S-58334 Linkoping (SE). YU, Ji-angbo [CN/US]; 4550 16th Ave NE, Apt. 15, Seattle, WA 98105 (US). SUN, Wei [CN/US]; 4760 22nd Ave NE, Apt 6, Seattle, WA 98105 (US).

(74) Agents: KUYPER, Christopher, L. et al.; WILSON SONSINI GOODRICH null, 650 Page Mill Road, Palo Alto, CA 94304-1050 (US).

(81) Designated States (unless otherwise indicated, for every kind of national protection available): AE, AG, AL, AM, AO, AT, AU, AZ, BA, BB, BG, BH, BN, BR, BW, BY, BZ, CA, CH, CL, CN, CO, CR, CU, CZ, DE, DK, DM, DO, DZ, EC, EE, EG, ES, FI, GB, GD, GE, GH, GM, GT, HN, HR, HU, ID, IL, IN, IS, JP, KE, KG, KM, KN, KP, KR, KZ, LA, LC, LK, LR, LS, LT, LU, LY, MA, MD,

[Continued on next page]

(54) Title: CHROMOPHORIC POLYMER DOTS WITH NARROW-BAND EMISSION



(57) Abstract: Polymers, monomers, chromophoric polymer dots and related methods are provided. Highly fluorescent chromophoric polymer dots with narrow-band emissions are provided. Methods for synthesizing the chromophoric polymers, preparation methods for forming the chromophoric polymer dots, and biological applications using the unique properties of narrow-band emissions are also provided.





ME, MG, MK, MN, MW, MX, MY, MZ, NA, NG, NI, NO, NZ, OM, PA, PE, PG, PH, PL, PT, QA, RO, RS, RU, RW, SC, SD, SE, SG, SK, SL, SM, ST, SV, SY, TH, TJ, TM, TN, TR, TT, TZ, UA, UG, US, UZ, VC, VN, ZA, ZM, ZW.

EE, ES, FI, FR, GB, GR, HR, HU, IE, IS, IT, LT, LU, LV, MC, MK, MT, NL, NO, PL, PT, RO, RS, SE, SI, SK, SM, TR), OAPI (BF, BJ, CF, CG, CI, CM, GA, GN, GQ, GW, ML, MR, NE, SN, TD, TG).

**(84) Designated States** (*unless otherwise indicated, for every kind of regional protection available*): ARIPO (BW, GH, GM, KE, LR, LS, MW, MZ, NA, RW, SD, SL, SZ, TZ, UG, ZM, ZW), Eurasian (AM, AZ, BY, KG, KZ, RU, TJ, TM), European (AL, AT, BE, BG, CH, CY, CZ, DE, DK,

**Published:**

— *with international search report (Art. 21(3))*

**(88) Date of publication of the international search report:**  
15 January 2015

## INTERNATIONAL SEARCH REPORT

International application No.

PCT/US 12/71767

## A. CLASSIFICATION OF SUBJECT MATTER

IPC(8) - C08F 2/38 (2013.01)

USPC - 524/718

According to International Patent Classification (IPC) or to both national classification and IPC

## B. FIELDS SEARCHED

Minimum documentation searched (classification system followed by classification symbols)

IPC(8) - C08F 2/38 (2013.01)

USPC - 524/718

Documentation searched other than minimum documentation to the extent that such documents are included in the fields searched  
USPC - 524/516, 524/95Electronic data base consulted during the international search (name of data base and, where practicable, search terms used)  
PatBase, FreePatentsOnline, GoogleScholar, search terms used - Chromophore, fluorescence, polymer, dot, nanoparticle, particle, 4, 4-difluoro-4-bora-3a, 4a-diaza-s-indacene, boron, difluoro (2- (2H-pyrrol-2-ylidene-?N) methyl) 1H- pyrrolato-?N), BODIPY, Boron-dipyrromethene, condensat\*, polyconden\*, emission, wavelength, "full width", squaraine

## C. DOCUMENTS CONSIDERED TO BE RELEVANT

Category*	Citation of document, with indication, where appropriate, of the relevant passages	Relevant to claim No.
X	US 5,723,218 A (Haugland et al.) 3 March 1998 (03.03.1998) entire document	1-6, 16, 19-22, 24-31, 34-38, 48-53
---		
Y		7-15, 17-18, 23, 32-33, 39-47, 54-59, 67-77, 79-81
Y	US 6,417,402 B1 (Das et al.) 9 July 2002 (09.07.2002) Fig. 1; col. 1, ln. 5-61; col. 4, ln. 33-35; col. 7, ln. 28-29; col. 8, ln. 25-44	7-8, 39-40
Y	US 2004/0131886 A1 (Marrocco, III et al.) 8 July 2004 (08.07.2004) para [0013]-[0016], [0031]-[0032]	9, 12, 41, 44, 79
Y	WO 2011/057295 A2 (Chiu et al.) 12 May 2011 (12.05.2011) entire document	15, 17-18, 23, 32-33, 47, 54-59, 67-77, 81
Y	US 2009/0075295 A1 (Lindsey) 19 March 2009 (19.03.2009) para [0008]-[0023], [0135]	10-11, 42-43
Y	US 2008/0178763 A1 (Schwartz et al.) 31 July 2008 (31.07.2008) Fig. 1; para [0001], [0006]-[0007], [0040], [0048]	13, 45
Y	US 2011/0278536 A1 (Walker et al.) 17 November 2011 (17.11.2011) para [0020]-[0022]	14, 46
Y	US 7,432,298 B2 (Lam et al.) 7 October 2008 (07.10.2008) Abstract; Fig. 4; col. 9, ln. 14-36	80

 Further documents are listed in the continuation of Box C.

\* Special categories of cited documents:

"A" document defining the general state of the art which is not considered to be of particular relevance

"E" earlier application or patent but published on or after the international filing date

"L" document which may throw doubts on priority claim(s) or which is cited to establish the publication date of another citation or other special reason (as specified)

"O" document referring to an oral disclosure, use, exhibition or other means

"P" document published prior to the international filing date but later than the priority date claimed

"T" later document published after the international filing date or priority date and not in conflict with the application but cited to understand the principle or theory underlying the invention

"X" document of particular relevance; the claimed invention cannot be considered novel or cannot be considered to involve an inventive step when the document is taken alone

"Y" document of particular relevance; the claimed invention cannot be considered to involve an inventive step when the document is combined with one or more other such documents, such combination being obvious to a person skilled in the art

"&amp;" document member of the same patent family

Date of the actual completion of the international search

1 March 2013 (01.03.2013)

Date of mailing of the international search report

27 MAR 2013

Name and mailing address of the ISA/US

Mail Stop PCT, Attn: ISA/US, Commissioner for Patents

P.O. Box 1450, Alexandria, Virginia 22313-1450

Facsimile No. 571-273-3201

Authorized officer:

Lee W. Young

PCT Helpdesk: 571-272-4300  
PCT OSP: 571-272-7774

INTERNATIONAL SEARCH REPORT

International application No.

PCT/US 12/71767

**Box No. II Observations where certain claims were found unsearchable (Continuation of item 2 of first sheet)**

This international search report has not been established in respect of certain claims under Article 17(2)(a) for the following reasons:

1.  Claims Nos.:  
because they relate to subject matter not required to be searched by this Authority, namely:
  
2.  Claims Nos.:  
because they relate to parts of the international application that do not comply with the prescribed requirements to such an extent that no meaningful international search can be carried out, specifically:
  
3.  Claims Nos.: 60-66, 78  
because they are dependent claims and are not drafted in accordance with the second and third sentences of Rule 6.4(a).

**Box No. III Observations where unity of invention is lacking (Continuation of item 3 of first sheet)**

This International Searching Authority found multiple inventions in this international application, as follows:

1.  As all required additional search fees were timely paid by the applicant, this international search report covers all searchable claims.
2.  As all searchable claims could be searched without effort justifying additional fees, this Authority did not invite payment of additional fees.
3.  As only some of the required additional search fees were timely paid by the applicant, this international search report covers only those claims for which fees were paid, specifically claims Nos.:
  
4.  No required additional search fees were timely paid by the applicant. Consequently, this international search report is restricted to the invention first mentioned in the claims; it is covered by claims Nos.:

**Remark on Protest**

- The additional search fees were accompanied by the applicant's protest and, where applicable, the payment of a protest fee.
- The additional search fees were accompanied by the applicant's protest but the applicable protest fee was not paid within the time limit specified in the invitation.
- No protest accompanied the payment of additional search fees.