



US00D342654S

United States Patent [19] Jens

[11] Patent Number: Des. 342,654

[45] Date of Patent: ** Dec. 28, 1993

[54] FLOW GUN

[75] Inventor: Michael J. Jens, Plymouth, Minn.

[73] Assignee: Graco Inc., Minneapolis, Minn.

[**] Term: 14 Years

[21] Appl. No.: 923,353

[22] Filed: Jul. 31, 1992

[52] U.S. Cl. D8/30; D8/14.1

[58] Field of Search D8/61, 68, 30, 14.1;
222/146.2, 146.5

[56] **References Cited**

U.S. PATENT DOCUMENTS

- D. 303,612 9/1989 Knispel D8/30 X
- D. 313,736 1/1991 Boliver et al. D8/30 X

- D. 316,506 4/1991 Nüsse et al. D8/30
- 5,188,259 2/1993 Petit 222/146.5

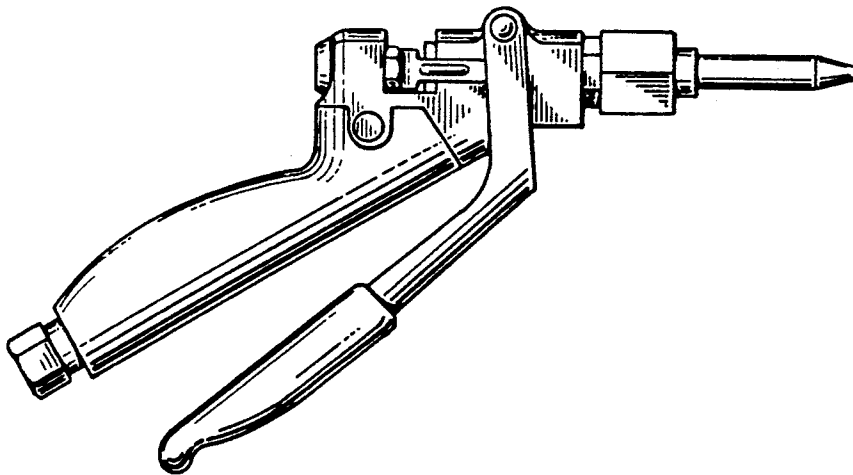
Primary Examiner—Nelson C. Holtje
Assistant Examiner—J. H. Musgrove
Attorney, Agent, or Firm—Douglas B. Farrow

[57] **CLAIM**

The ornamental design for a flow gun, as shown and described.

DESCRIPTION

FIG. 1 is a right side elevation view of a flow gun;
FIG. 2 is a top plan view thereof;
FIG. 3 is a bottom plan view thereof;
FIG. 4 is a front elevation view thereof; and,
FIG. 5 is a rear elevation view thereof.
The left side is a mirror image of the right side.



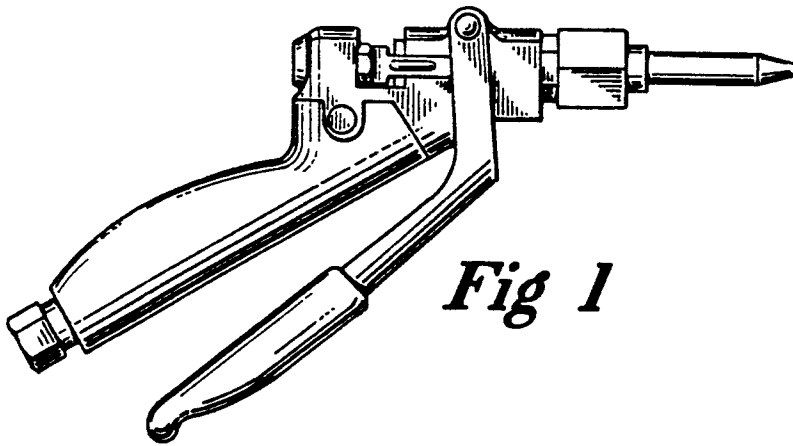


Fig 1

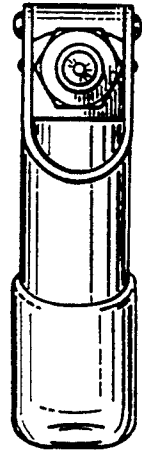


Fig 4

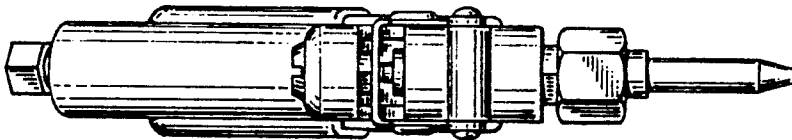


Fig 2

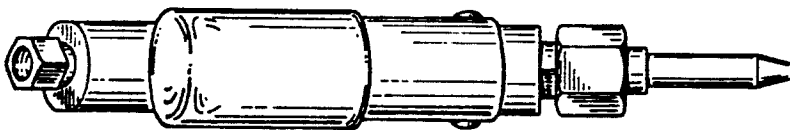


Fig 3

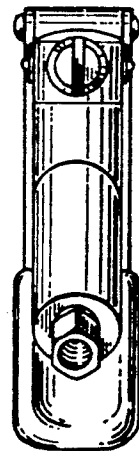


Fig 5