



- (51) **International Patent Classification:**  
G06F 3/14 (2006.01)
- (21) **International Application Number:**  
PCT/US2014/029124
- (22) **International Filing Date:**  
14 March 2014 (14.03.2014)
- (25) **Filing Language:** English
- (26) **Publication Language:** English
- (30) **Priority Data:**  
13/836,680 15 March 2013 (15.03.2013) US
- (71) **Applicant:** RTC INDUSTRIES, INC. [US/US]; 2800 Golf Road, Rolling Meadows, Illinois 60008 (US).
- (72) **Inventors:** JOHNSON, Bradley Thomas; c/o RTC INDUSTRIES, INC., 2800 Golf Road, Rolling Meadows, Illinois 60008 (US). SWAFFORD, John Wesley; c/o RTC INDUSTRIES, INC., 2800 Golf Road, Rolling Meadows, Illinois 60008 (US). LEMBKE, Michael Alvin; c/o RTC INDUSTRIES, INC., 2800 Golf Road, Rolling Meadows, Illinois 60008 (US). ERNEST, Joseph Christian; c/o RTC INDUSTRIES, INC., 2800 Golf Road, Rolling Meadows, Illinois 60008 (US).
- (74) **Agent:** VAN PELT, Bradley J.; Banner & Witcoff, Ltd., 10 S. Wacker Drive, Suite 3000, Chicago, Illinois 60606-7407 (US).
- (81) **Designated States** (unless otherwise indicated, for every kind of national protection available): AE, AG, AL, AM,

AO, AT, AU, AZ, BA, BB, BG, BH, BN, BR, BW, BY, BZ, CA, CH, CL, CN, CO, CR, CU, CZ, DE, DK, DM, DO, DZ, EC, EE, EG, ES, FI, GB, GD, GE, GH, GM, GT, HN, HR, HU, ID, IL, IN, IR, IS, JP, KE, KG, KN, KP, KR, KZ, LA, LC, LK, LR, LS, LT, LU, LY, MA, MD, ME, MG, MK, MN, MW, MX, MY, MZ, NA, NG, NI, NO, NZ, OM, PA, PE, PG, PH, PL, PT, QA, RO, RS, RU, RW, SA, SC, SD, SE, SG, SK, SL, SM, ST, SV, SY, TH, TJ, TM, TN, TR, TT, TZ, UA, UG, US, UZ, VC, VN, ZA, ZM, ZW.

- (84) **Designated States** (unless otherwise indicated, for every kind of regional protection available): ARIPO (BW, GH, GM, KE, LR, LS, MW, MZ, NA, RW, SD, SL, SZ, TZ, UG, ZM, ZW), Eurasian (AM, AZ, BY, KG, KZ, RU, TJ, TM), European (AL, AT, BE, BG, CH, CY, CZ, DE, DK, EE, ES, FI, FR, GB, GR, HR, HU, IE, IS, IT, LT, LU, LV, MC, MK, MT, NL, NO, PL, PT, RO, RS, SE, SI, SK, SM, TR), OAPI (BF, BJ, CF, CG, CL, CM, GA, GN, GQ, GW, KM, ML, MR, NE, SN, TD, TG).

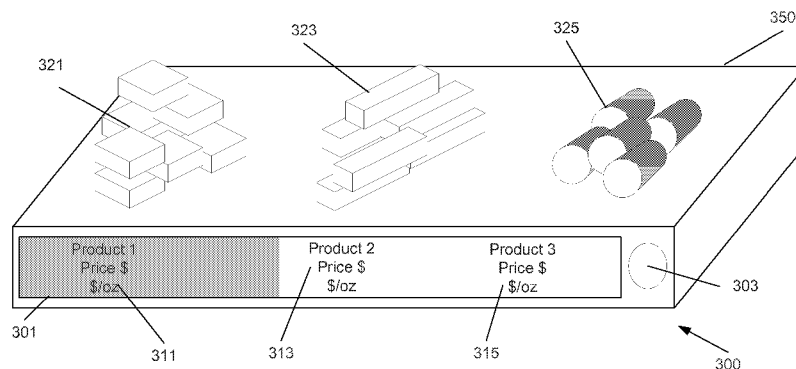
**Published:**

- with international search report (Art. 21(3))
- before the expiration of the time limit for amending the claims and to be republished in the event of receipt of amendments (Rule 48.2(h))

- (88) **Date of publication of the international search report:**  
4 June 2015

(54) **Title:** CONTINUOUS DISPLAY SHELF EDGE LABEL DEVICE

FIG. 3



(57) **Abstract:** A method and apparatus for providing information along a shelf edge of a retailer is described. On a display configured to be oriented along an edge of a shelf of a retailer, a first user interface including first information about a first product on the shelf is provided. At least one second user interface including at least one second information about at least one second product on the shelf is provided on the display. An individual is permitted to edit a parameter of the first user interface and/or the at least one second user interface. The parameter may include at least one of: a size of the user interface on the display, a shape of the user interface on the display, and a location of the user interface on the display. The first information and the at least one second information may be outputted concurrently to the display.

WO 2014/144631 A3

INTERNATIONAL SEARCH REPORT

International application No.

PCT/US 14/29124

A. CLASSIFICATION OF SUBJECT MATTER

IPC(8) - G06F 3/14 (2014.01)

CPC - G06F 3/0481

According to International Patent Classification (IPC) or to both national classification and IPC

B. FIELDS SEARCHED

Minimum documentation searched (classification system followed by classification symbols)

IPC(8) - G06F 3/14 (2014.01)

CPC - G06F 3/0481

Documentation searched other than minimum documentation to the extent that such documents are included in the fields searched

IPC(8) - G06F 3/14 (2014.01) (text search); USPC - 715/864, 345/1.1, 345/30 (text search)

CPC - G06F 3/0481, G06F 3/0482, G06F 1/1626 (text search)

Electronic data base consulted during the international search (name of data base and, where practicable, search terms used)

PatBase, Google Patents, Google Scholar; Search terms used: display shelf retailer product user interface location size shape data edge touchscreen locking mechanism prevent mode authorized parameter hand scanner network wireless

C. DOCUMENTS CONSIDERED TO BE RELEVANT

Category*	Citation of document, with indication, where appropriate, of the relevant passages	Relevant to claim No.
X	US 2012/0004769 A1 (HALLENBECK et al.) 05 January 2012 (05.01.2012), entire document, especially Fig. 2, 7F, 9, 13, 15; Para [0039] - [0041], [0043], [0051], [0056], [0065], [0078], [0080], [0081], [0085], [0094], [0112], [0116], [0134], [0166]	1-20
A	US 2005/0108098 A1 (SYED et al.) 19 May 2005 (19.05.2005), entire document	1-20
A	US 2011/0175732 A1 (HAKATA et al.) 21 July 2011 (21.07.2011), entire document	1-20
A	US 2012/0120327 A1 (MARX et al.) 17 May 2012 (17.05.2012), entire document	1-20

Further documents are listed in the continuation of Box C.

\* Special categories of cited documents:

"A" document defining the general state of the art which is not considered to be of particular relevance

"E" earlier application or patent but published on or after the international filing date

"L" document which may throw doubts on priority claim(s) or which is cited to establish the publication date of another citation or other special reason (as specified)

"O" document referring to an oral disclosure, use, exhibition or other means

"P" document published prior to the international filing date but later than the priority date claimed

"T" later document published after the international filing date or priority date and not in conflict with the application but cited to understand the principle or theory underlying the invention

"X" document of particular relevance; the claimed invention cannot be considered novel or cannot be considered to involve an inventive step when the document is taken alone

"Y" document of particular relevance; the claimed invention cannot be considered to involve an inventive step when the document is combined with one or more other such documents, such combination being obvious to a person skilled in the art

"&" document member of the same patent family

Date of the actual completion of the international search

10 October 2014 (10.10.2014)

Date of mailing of the international search report

06 APR 2015

Name and mailing address of the ISA/US

Mail Stop PCT, Attn: ISA/US, Commissioner for Patents  
P.O. Box 1450, Alexandria, Virginia 22313-1450

Facsimile No. 571-273-3201

Authorized officer:

Lee W. Young

PCT Helpdesk: 571-272-4300  
PCT OSP: 571-272-7774