

United States Patent [19]

Barnes et al.

[11] Patent Number: Des. 312,604

[45] Date of Patent: ** Dec. 4, 1990

[54] AUTOMOBILE TRUNK ORGANIZER

[76] Inventors: **Kenneth H. Barnes**, 6768 N. LaPresa Dr., San Gabriel, Calif. 91775;
Alexander M. Zrolka, Sr., 16444 Mayfield Rd., Huntsburg, Ohio 44046

[**] Term: 14 Years

[21] Appl. No.: 17,798

[22] Filed: Feb. 24, 1987

[52] U.S. Cl. D12/155; D3/40

[58] Field of Search D3/40, 74, 99; D7/37, D7/38; D12/155-157; 224/42.11, 42.42, 273, 275, 309, 311, 327, 329

[56] **References Cited**

U.S. PATENT DOCUMENTS

D. 217,907 6/1970 Derenski D12/155 X

D. 249,671 9/1978 VanderWaal D12/155
D. 249,672 9/1978 VanderWaal D12/155
D. 278,894 5/1985 James D12/157

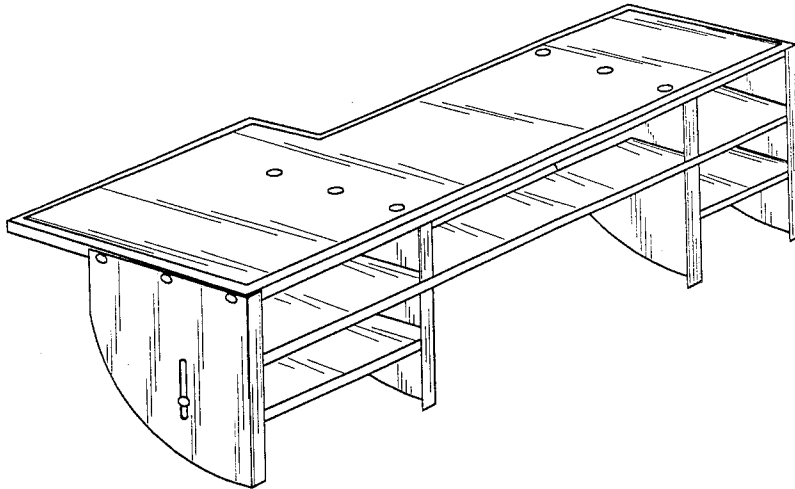
Primary Examiner—Louis S. Zarfaz
Attorney, Agent, or Firm—Pearne, Gordon, McCoy & Granger

[57] CLAIM

The ornamental design for an automobile trunk organizer, as shown and described.

DESCRIPTION

FIG. 1 is a perspective view of an automobile trunk organizer, showing our new design; FIG. 2 is a front elevational view thereof; FIG. 3 is a rear elevational view thereof; FIG. 4 is a top plan view thereof; FIG. 5 is a bottom plan view thereof; FIG. 6 is a left side elevational view thereof; and FIG. 7 is a right side elevational view thereof.



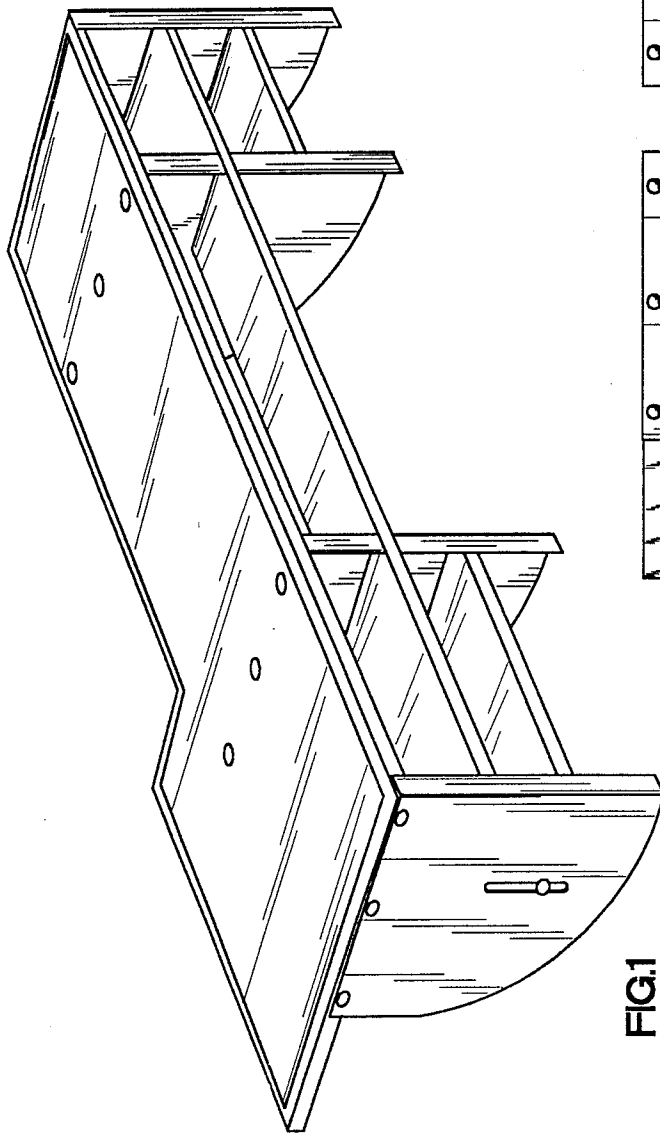


FIG.1

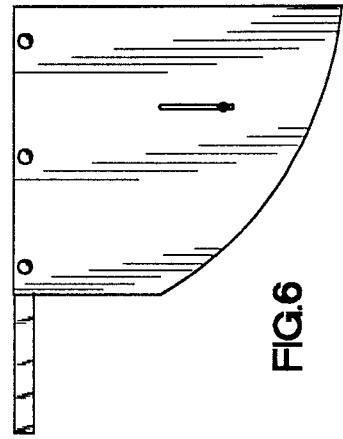


FIG.6

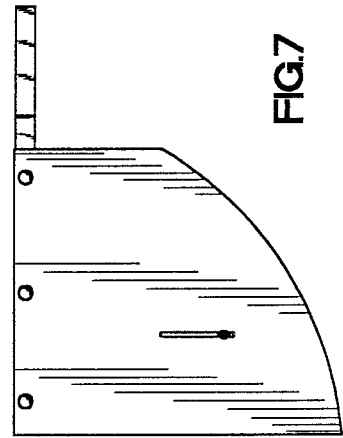


FIG.7

FIG. 2

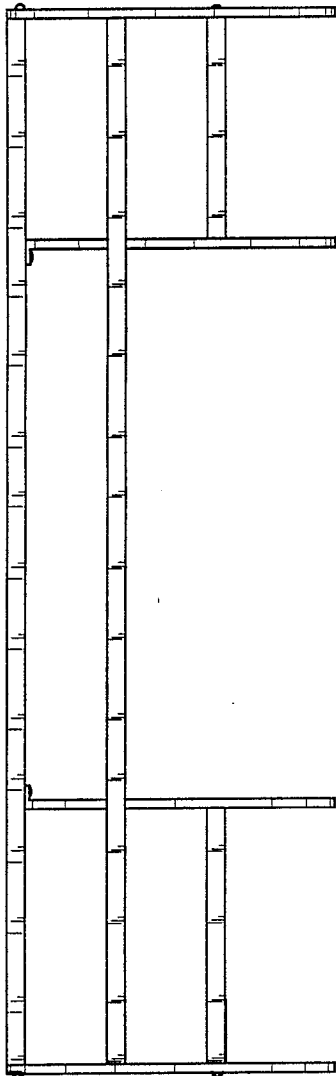


FIG. 3

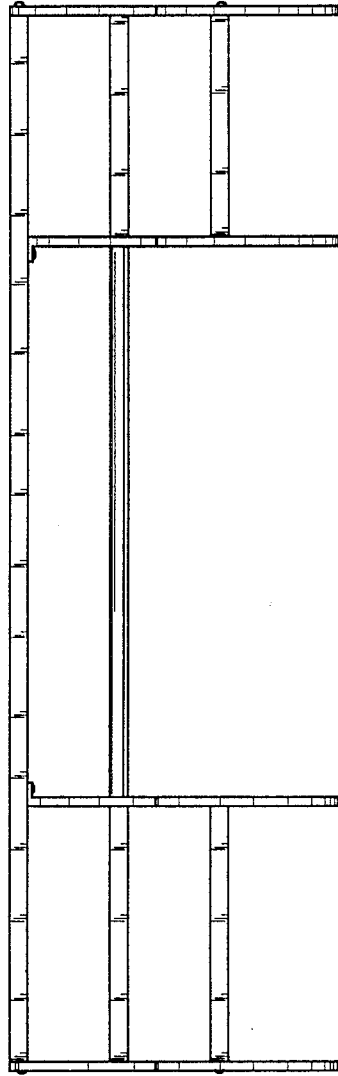


FIG.4

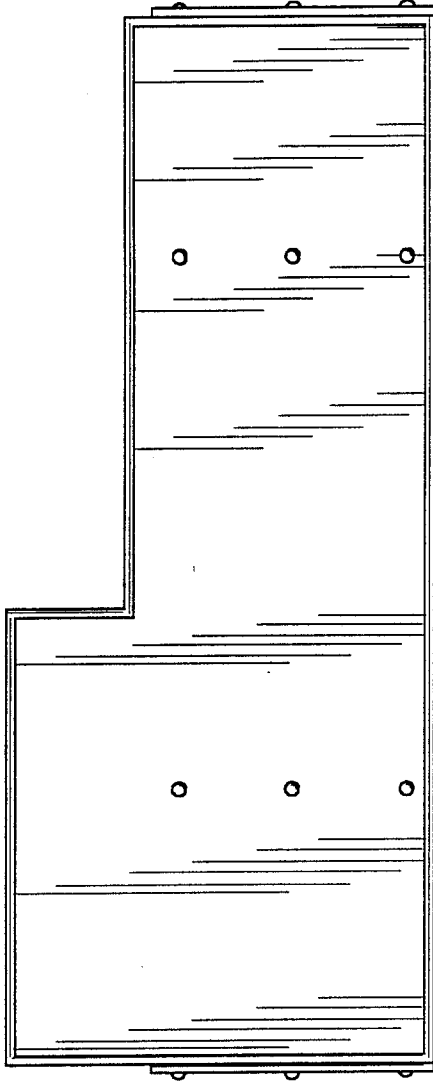


FIG.5

