

(19) World Intellectual Property Organization
International Bureau



(10) International Publication Number
WO 2010/101847 A3

(43) International Publication Date
10 September 2010 (10.09.2010)

(51) International Patent Classification:
A63B 69/40 (2006.01) A63B 69/00 (2006.01)

(74) Agent: LATTIG, Matthew, J.; Charter IP LLC, PO Box 64, The Plains, Virginia 20198 (US).

(21) International Application Number:
PCT/US2010/025810

(81) Designated States (unless otherwise indicated, for every kind of national protection available): AE, AG, AL, AM, AO, AT, AU, AZ, BA, BB, BG, BH, BR, BW, BY, BZ, CA, CH, CL, CN, CO, CR, CU, CZ, DE, DK, DM, DO, DZ, EC, EE, EG, ES, FI, GB, GD, GE, GH, GM, GT, HN, HR, HU, ID, IL, IN, IS, JP, KE, KG, KM, KN, KP, KR, KZ, LA, LC, LK, LR, LS, LT, LU, LY, MA, MD, ME, MG, MK, MN, MW, MX, MY, MZ, NA, NG, NI, NO, NZ, OM, PE, PG, PH, PL, PT, RO, RS, RU, SC, SD, SE, SG, SK, SL, SM, ST, SV, SY, TH, TJ, TM, TN, TR, TT, TZ, UA, UG, US, UZ, VC, VN, ZA, ZM, ZW.

(22) International Filing Date:
1 March 2010 (01.03.2010)

(25) Filing Language: English

(26) Publication Language: English

(30) Priority Data:
61/156,788 2 March 2009 (02.03.2009) US

(71) Applicant (for all designated States except US): PACIFIC ROCK, LLC [US/US]; 375 N. Stephanie Street, Suite 1411, Henderson, Nevada 89014-8909 (US).

(84) Designated States (unless otherwise indicated, for every kind of regional protection available): ARIPO (BW, GH, GM, KE, LS, MW, MZ, NA, SD, SL, SZ, TZ, UG, ZM, ZW), Eurasian (AM, AZ, BY, KG, KZ, MD, RU, TJ, TM), European (AT, BE, BG, CH, CY, CZ, DE, DK, EE, ES, FI, FR, GB, GR, HR, HU, IE, IS, IT, LT, LU, LV, MC, MK, MT, NL, NO, PL, PT, RO, SE, SI, SK, SM, TR), OAPI (BF, BJ, CF, CG, CI, CM, GA, GN, GQ, GW, ML, MR, NE, SN, TD, TG).

(72) Inventors; and
(75) Inventors/Applicants (for US only): MCKENDRICK, Jason, S. [US/US]; 4240 S. Richfield Street, Aurora, Colorado 80013 (US). JEWKES, Rodney, R. [US/US]; 4240 S. Richfield Street, Aurora, Colorado 80013 (US).

[Continued on next page]

(54) Title: METHOD AND APPARATUS FOR SUSPENDING AND SPINNING A SPHERICAL OBJECT

(57) Abstract: A method and apparatus for suspending and spinning a spherical object includes a blower operably connected to a power source providing a variable airflow of forced air, with an airflow unit coupled to the blower to form a contiguous assembly of the apparatus. The airflow unit may include an integrally formed tubular portion for directing airflow through a nozzle to suspend and spin the spherical object. The assembly is placed in a first angular orientation with respect to vertical for loading the spherical object over the nozzle, and placed in a second angular orientation with respect to vertical different from the first orientation for enabling a user to engage the suspended and spinning spherical object.

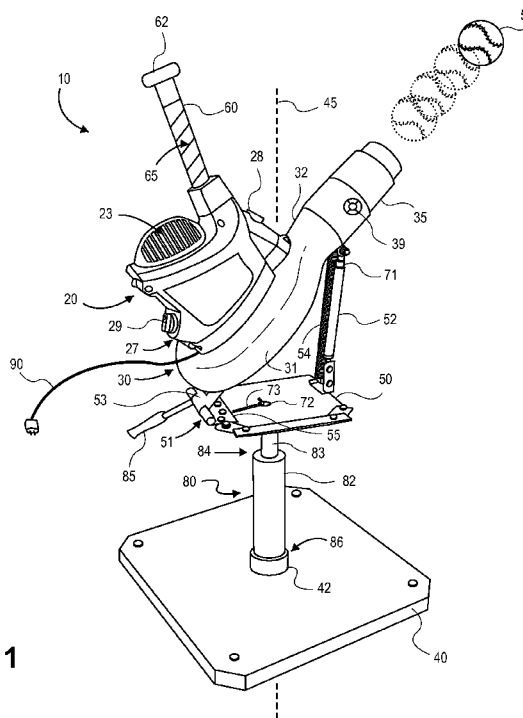


FIG. 1

WO 2010/101847 A3

WO 2010/101847 A3



Published:

— *with international search report (Art. 21(3))*

(88) Date of publication of the international search report:

13 January 2011

INTERNATIONAL SEARCH REPORT

International application No.
PCT/US2010/025810**A. CLASSIFICATION OF SUBJECT MATTER***A63B 69/40(2006.01)i, A63B 69/00(2006.01)i*

According to International Patent Classification (IPC) or to both national classification and IPC

B. FIELDS SEARCHED

Minimum documentation searched (classification system followed by classification symbols)

A63B 69/40; A63B 69/00

Documentation searched other than minimum documentation to the extent that such documents are included in the fields searched

Korean utility models and applications for utility models
Japanese utility models and applications for utility models

Electronic data base consulted during the international search (name of data base and, where practicable, search terms used)

eKOMPASS(KIPO internal) & Keywords: air, motor, pivot*

C. DOCUMENTS CONSIDERED TO BE RELEVANT

Category*	Citation of document, with indication, where appropriate, of the relevant passages	Relevant to claim No.
A	US 7294071 B1 (SAUMELL; JORGE E.) 13 November 2007 See abstract; figures 1-5; columns 2-3, and claim 1	1-23
A	US 5590876 A1 (SEJNOWSKI; JOSEPH P.) 07 January 1997 See abstract; figures 1-9; columns 3-6, and claims 1,6	1-23
A	JP 2007-259901 A (CHEN; MENG-FU) 11 October 2007 See abstract; figures 1-3; pages 2-4, and claims 1-3	1-23
A	US 5676120 A1 (JOSEPH; JOHN GIBSON) 14 October 1997 See abstract; figures 1-11; columns 4-8, and claim 1	1-23

 Further documents are listed in the continuation of Box C. See patent family annex.

* Special categories of cited documents:

"A" document defining the general state of the art which is not considered to be of particular relevance

"E" earlier application or patent but published on or after the international filing date

"L" document which may throw doubts on priority claim(s) or which is cited to establish the publication date of citation or other special reason (as specified)

"O" document referring to an oral disclosure, use, exhibition or other means

"P" document published prior to the international filing date but later than the priority date claimed

"T" later document published after the international filing date or priority date and not in conflict with the application but cited to understand the principle or theory underlying the invention

"X" document of particular relevance; the claimed invention cannot be considered novel or cannot be considered to involve an inventive step when the document is taken alone

"Y" document of particular relevance; the claimed invention cannot be considered to involve an inventive step when the document is combined with one or more other such documents, such combination being obvious to a person skilled in the art

"&" document member of the same patent family

Date of the actual completion of the international search

07 OCTOBER 2010 (07.10.2010)

Date of mailing of the international search report

08 OCTOBER 2010 (08.10.2010)

Name and mailing address of the ISA/KR

Korean Intellectual Property Office
Government Complex-Daejeon, 139 Seonsa-ro, Seo-
gu, Daejeon 302-701, Republic of Korea

Facsimile No. 82-42-472-7140

Authorized officer

KIM Dae Young

Telephone No. 82-42-481-8403



INTERNATIONAL SEARCH REPORT

Information on patent family members

International application No.

PCT/US2010/025810

Patent document cited in search report	Publication date	Patent family member(s)	Publication date
US 7294071 B1	13. 11. 2007	None	
US 5590876 A1	07. 01. 1997	None	
JP 2007-259901 A	11. 10. 2007	None	
US 5676120 A1	14. 10. 1997	None	