

CORRECTED VERSION

(19) World Intellectual Property Organization
International Bureau



(10) International Publication Number
WO 2015/175301 A8

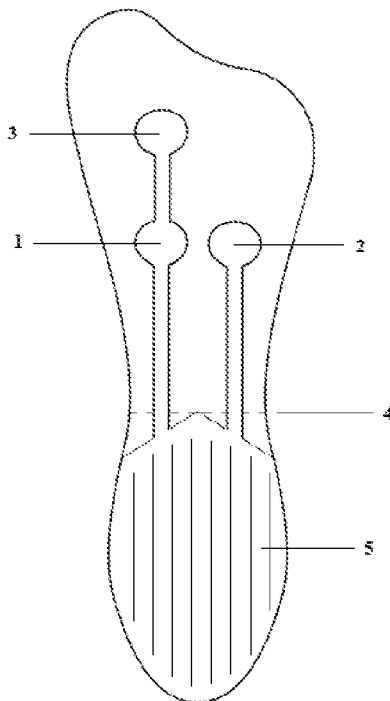
(43) International Publication Date
19 November 2015 (19.11.2015)

- (51) International Patent Classification: *G01N 33/53* (2006.01) *G01N 33/76* (2006.01)
- (21) International Application Number: PCT/US2015/029613
- (22) International Filing Date: 7 May 2015 (07.05.2015)
- (25) Filing Language: English
- (26) Publication Language: English
- (30) Priority Data: 61/996,978 11 May 2014 (11.05.2014) US
- (72) Inventors; and
- (71) Applicants : EDWARDS, Bethany [US/US]; 2119 Lakeside Drive, Harveys Lake, PA 18618 (US). DIMARE, Frances [US/US]; 4425 Spruce St. Apt #3, Philadelphia, PA 19104 (US).
- (74) Agent: DEVERNOE, David, L.; Troutman Sanders LLP, 11682 El Camino Real, Suite 400, San Diego, CA 92130 (US).
- (81) Designated States (unless otherwise indicated, for every kind of national protection available): AE, AG, AL, AM, AO, AT, AU, AZ, BA, BB, BG, BH, BN, BR, BW, BY, BZ, CA, CH, CL, CN, CO, CR, CU, CZ, DE, DK, DM, DO, DZ, EC, EE, EG, ES, FI, GB, GD, GE, GH, GM, GT, HN, HR, HU, ID, IL, IN, IR, IS, JP, KE, KG, KN, KP, KR, KZ, LA, LC, LK, LR, LS, LU, LY, MA, MD, ME, MG,

[Continued on next page]

(54) Title: FLEXIBLE, INTEGRATED URINE-BASED DIAGNOSTIC DEVICE

Figure 1.



(57) Abstract: A flexible, integrated, urine-based diagnostic device designed such that one or more diagnostic channels are integrated into the body of the device. Each diagnostic channel is designed to contain an immunoassay to detect the presence of a selected analyte so that the device can return a visible readout indicating the presence of the analyte. The flexibility of the device aids the user in the sample collection process.

WO 2015/175301 A8



MK, MN, MW, MX, MY, MZ, NA, NG, NI, NO, NZ, OM, PA, PE, PG, PH, PL, PT, QA, RO, RS, RU, RW, SA, SC, SD, SE, SG, SK, SL, SM, ST, SV, SY, TH, TJ, TM, TN, TR, TT, TZ, UA, UG, US, UZ, VC, VN, ZA, ZM, ZW.

SI, SK, SM, TR), OAPI (BF, BJ, CF, CG, CI, CM, GA, GN, GQ, GW, KM, ML, MR, NE, SN, TD, TG).

Published:

- with international search report (Art. 21(3))
- with amended claims (Art. 19(1))

(84) Designated States (unless otherwise indicated, for every kind of regional protection available): ARIPO (BW, GH, GM, KE, LR, LS, MW, MZ, NA, RW, SD, SL, ST, SZ, TZ, UG, ZM, ZW), Eurasian (AM, AZ, BY, KG, KZ, RU, TJ, TM), European (AL, AT, BE, BG, CH, CY, CZ, DE, DK, EE, ES, FI, FR, GB, GR, HR, HU, IE, IS, IT, LT, LU, LV, MC, MK, MT, NL, NO, PL, PT, RO, RS, SE,

(48) Date of publication of this corrected version:

8 December 2016

(15) Information about Correction:

see Notice of 8 December 2016