

(19) World Intellectual Property Organization
International Bureau



(43) International Publication Date
23 February 2006 (23.02.2006)

PCT

(10) International Publication Number
WO 2006/020677 A3

(51) International Patent Classification:

H01R 13/648 (2006.01) *H01R 13/66* (2006.01)
H01R 12/20 (2006.01) *H01R 12/16* (2006.01)

(21) International Application Number:

PCT/US2005/028348

(22) International Filing Date: 10 August 2005 (10.08.2005)

(25) Filing Language: English

(26) Publication Language: English

(30) Priority Data:

10/914,892 10 August 2004 (10.08.2004) US

(71) Applicant (for all designated States except US): **NVIDIA CORPORATION** [US/US]; 2701 San Tomas Expressway, Santa Clara, CA 95050 (US).

(72) Inventors; and

(75) Inventors/Applicants (for US only): **JATOU, Ross, F.** [US/US]; 547 Gettysburg Drive, San Jose, CA 95123 (US). **SHU, Charlie, J.** [US/US]; 9108 S. Gale Ridge Road, San Ramon, CA 94583 (US).

(74) Agents: **SHERIDAN, James, A.** et al.; 3040 Post Oak Boulevard, Suite 1500, Baytown, Texas 77056 (US).

(81) Designated States (unless otherwise indicated, for every kind of national protection available): AE, AG, AL, AM,

AT, AU, AZ, BA, BB, BG, BR, BW, BY, BZ, CA, CH, CN, CO, CR, CU, CZ, DE, DK, DM, DZ, EC, EE, EG, ES, FI, GB, GD, GE, GH, GM, HR, HU, ID, IL, IN, IS, JP, KE, KG, KM, KP, KR, KZ, LC, LK, LR, LS, LT, LU, LV, MA, MD, MG, MK, MN, MW, MX, MZ, NA, NG, NI, NO, NZ, OM, PG, PH, PL, PT, RO, RU, SC, SD, SE, SG, SK, SL, SM, SY, TJ, TM, TN, TR, TT, TZ, UA, UG, US, UZ, VC, VN, YU, ZA, ZM, ZW.

(84) Designated States (unless otherwise indicated, for every kind of regional protection available): ARIPO (BW, GH, GM, KE, LS, MW, MZ, NA, SD, SL, SZ, TZ, UG, ZM, ZW), Eurasian (AM, AZ, BY, KG, KZ, MD, RU, TJ, TM), European (AT, BE, BG, CH, CY, CZ, DE, DK, EE, ES, FI, FR, GB, GR, HU, IE, IS, IT, LT, LU, LV, MC, NL, PL, PT, RO, SE, SI, SK, TR), OAPI (BF, BJ, CF, CG, CI, CM, GA, GN, GQ, GW, ML, MR, NE, SN, TD, TG).

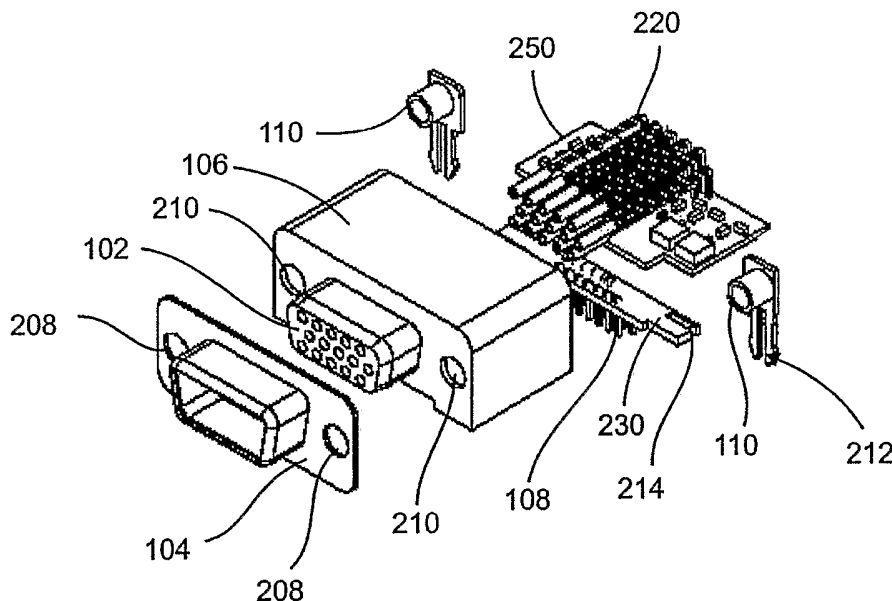
Published:

- with international search report
- before the expiration of the time limit for amending the claims and to be republished in the event of receipt of amendments

(88) Date of publication of the international search report: 20 April 2006

For two-letter codes and other abbreviations, refer to the "Guidance Notes on Codes and Abbreviations" appearing at the beginning of each regular issue of the PCT Gazette.

(54) Title: VGA CONNECTOR WITH INTEGRAL FILTER



(57) Abstract: An improved VGA connector that supports enhanced graphic performance by internally incorporating one or more functions of fusing, filtering, shielding, and the controlling of signal line impedances. The improved VGA connector is dimensionally interchangeable with many aspects of standard VGA connectors, and use standard pin-outs that mate with mating connectors. Integral DACs can be included to provide analog outputs.

WO 2006/020677 A3

INTERNATIONAL SEARCH REPORT

International application No
PCT/US2005/028348

A. CLASSIFICATION OF SUBJECT MATTER H01R13/648 H01R12/20 H01R13/66 H01R12/16		
According to International Patent Classification (IPC) or to both national classification and IPC		
B. FIELDS SEARCHED Minimum documentation searched (classification system followed by classification symbols) H01R		
Documentation searched other than minimum documentation to the extent that such documents are included in the fields searched		
Electronic data base consulted during the international search (name of data base and, where practical, search terms used) EPO-Internal		
C. DOCUMENTS CONSIDERED TO BE RELEVANT		
Category*	Citation of document, with indication, where appropriate, of the relevant passages	Relevant to claim No.
X	EP 0 675 570 A (AMPHENOL CORPORATION) 4 October 1995 (1995-10-04)	1
Y	column 3, line 18 - line 20 -----	2-6
X	US 6 319 026 B1 (CHEN QIANG ET AL) 20 November 2001 (2001-11-20) the whole document -----	1
X	US 4 799 901 A (PIRC ET AL) 24 January 1989 (1989-01-24) the whole document -----	1,2
Y	US 5 344 342 A (BRIONES ET AL) 6 September 1994 (1994-09-06) the whole document -----	3
----- -/--		
<input checked="" type="checkbox"/> Further documents are listed in the continuation of Box C. <input checked="" type="checkbox"/> See patent family annex.		
* Special categories of cited documents :		
"A" document defining the general state of the art which is not considered to be of particular relevance "E" earlier document but published on or after the international filing date "L" document which may throw doubts on priority claim(s) or which is cited to establish the publication date of another citation or other special reason (as specified) "O" document referring to an oral disclosure, use, exhibition or other means "P" document published prior to the international filing date but later than the priority date claimed	"T" later document published after the international filing date or priority date and not in conflict with the application but cited to understand the principle or theory underlying the invention "X" document of particular relevance; the claimed invention cannot be considered novel or cannot be considered to involve an inventive step when the document is taken alone "Y" document of particular relevance; the claimed invention cannot be considered to involve an inventive step when the document is combined with one or more other such documents, such combination being obvious to a person skilled in the art. "&" document member of the same patent family	
Date of the actual completion of the international search	Date of mailing of the international search report	
14 December 2005	03. 03. 2006	
Name and mailing address of the ISA/ European Patent Office, P.B. 5818 Patentlaan 2 NL - 2280 HV Rijswijk Tel. (+31-70) 340-2040, Tx. 31 651 epo nl, Fax: (+31-70) 340-3016	Authorized officer Salojärvi, K	

INTERNATIONAL SEARCH REPORT

International application No
 PCT/US2005/028348

C(Continuation). DOCUMENTS CONSIDERED TO BE RELEVANT		
Category*	Citation of document, with indication, where appropriate, of the relevant passages	Relevant to claim No.
Y	US 6 711 638 B1 (WU PETER) 23 March 2004 (2004-03-23) the whole document -----	2
Y	WO 01/11456 A (INTERGRAPH CORPORATION) 15 February 2001 (2001-02-15) the whole document -----	4,6
Y	EP 1 061 434 A (ATI INTERNATIONAL SRL) 20 December 2000 (2000-12-20) the whole document -----	4-6

INTERNATIONAL SEARCH REPORT

International application No.
PCT/US2005/028348

Box II Observations where certain claims were found unsearchable (Continuation of item 2 of first sheet)

This International Search Report has not been established in respect of certain claims under Article 17(2)(a) for the following reasons:

1. Claims Nos.:
because they relate to subject matter not required to be searched by this Authority, namely:

2. Claims Nos.:
because they relate to parts of the International Application that do not comply with the prescribed requirements to such an extent that no meaningful International Search can be carried out, specifically:

3. Claims Nos.:
because they are dependent claims and are not drafted in accordance with the second and third sentences of Rule 6.4(a).

Box III Observations where unity of invention is lacking (Continuation of item 3 of first sheet)

This International Searching Authority found multiple inventions in this international application, as follows:

see additional sheet

1. As all required additional search fees were timely paid by the applicant, this International Search Report covers all searchable claims.
2. As all searchable claims could be searched without effort justifying an additional fee, this Authority did not invite payment of any additional fee.
3. As only some of the required additional search fees were timely paid by the applicant, this International Search Report covers only those claims for which fees were paid, specifically claims Nos.:
4. No required additional search fees were timely paid by the applicant. Consequently, this International Search Report is restricted to the invention first mentioned in the claims; it is covered by claims Nos.:

1-6

Remark on Protest

- The additional search fees were accompanied by the applicant's protest.
- No protest accompanied the payment of additional search fees.

FURTHER INFORMATION CONTINUED FROM PCT/ISA/ 210

This International Searching Authority found multiple (groups of) inventions in this international application, as follows:

1. claims: 1-6

Video graphics connector having a conductive shroud and a conductive shield, the shroud and the shield providing electrostatic shielding.

2. claims: 7-13

Video graphics connector having an interconnect scheme including filters.

3. claims: 14-19

A video graphics card assembly having a graphics card and a logic device on said graphics card, and details of a digital to analog converter.

INTERNATIONAL SEARCH REPORT

Information on patent family members

International application No PCT/US2005/028348
--

Patent document cited in search report	Publication date	Patent family member(s)	Publication date
EP 0675570	A	US 5601451 A	11-02-1997
US 6319026	B1	NONE	
US 4799901	A	NONE	
US 5344342	A	CA 2108625 A1	08-07-1994
US 6711638	B1	DE 20201726 U1	11-04-2002
WO 0111456	A	WO 0111457 A1	15-02-2001
		WO 0111458 A1	15-02-2001
		WO 0111459 A1	15-02-2001
		WO 0111460 A1	15-02-2001
		WO 0111461 A1	15-02-2001
EP 1061434	A	US 6424320 B1	23-07-2002
		US 2003137483 A1	24-07-2003