



US0D1027078S

(12) **United States Design Patent**
Tong

(10) **Patent No.:** **US D1,027,078 S**

(45) **Date of Patent:** **** May 14, 2024**

(54) **ADJUSTABLE WEIGHT DUMBBELL**

(71) Applicant: **Xiaorong Tong**, Jinhua (CN)

(72) Inventor: **Xiaorong Tong**, Jinhua (CN)

(**) Term: **15 Years**

(21) Appl. No.: **29/849,371**

(22) Filed: **Aug. 10, 2022**

(30) **Foreign Application Priority Data**

Feb. 28, 2022 (CN) 202230098704.2

(51) **LOC (14) CL.** **21-02**

(52) **U.S. Cl.**
USPC **D21/681**

(58) **Field of Classification Search**
USPC D6/552; D21/662, 667-682, 685, 686,
D21/692, 694
CPC A63B 2220/12; A63B 21/062; A63B
2220/13; A63B 69/3632; A63B 21/075;
A63B 21/063; A63B 21/0628; A63B
21/0724

See application file for complete search history.

(56) **References Cited**

U.S. PATENT DOCUMENTS

D528,173 S *	9/2006	Flick	D6/552
D528,611 S *	9/2006	Flick	D21/681
D536,752 S *	2/2007	Walkerdine	D21/681
D540,405 S *	4/2007	Crawford	D21/681
D540,894 S *	4/2007	Crawford	D21/681
D610,636 S *	2/2010	Golesh	D21/681
D639,358 S *	6/2011	Rauwerdink	D21/681
D643,481 S *	8/2011	Rauwerdink	D21/681
D737,907 S *	9/2015	Flick	D21/681
D753,247 S *	4/2016	Flick	D21/681
11,040,236 B1 *	6/2021	Chen	A63B 21/0728
11,285,354 B1 *	3/2022	Tseng	A63B 21/0726
D966,442 S *	10/2022	Weng	D21/681

D983,285 S *	4/2023	Li	D21/681
D1,000,553 S *	10/2023	Luo	D21/681
D1,008,379 S *	12/2023	Zhu	D21/681
D1,010,023 S *	1/2024	Yin	D21/680
11,857,827 B2 *	1/2024	Anderson	A63B 71/0036
2018/0264308 A1 *	9/2018	Wang	A63B 21/075
2018/0353794 A1 *	12/2018	Wang	A63B 71/0036

(Continued)

FOREIGN PATENT DOCUMENTS

CN 304118690 * 4/2017

OTHER PUBLICATIONS

“ACCPPO Adjustable Dumbbells Set” Jan. 11, 2022, Amazon, site visited Oct. 25, 2023: <https://amzn.to/3xMZnAW> (Year: 2021).*

(Continued)

Primary Examiner — Jack Reickel
Assistant Examiner — Salamah Jordan

(57) **CLAIM**

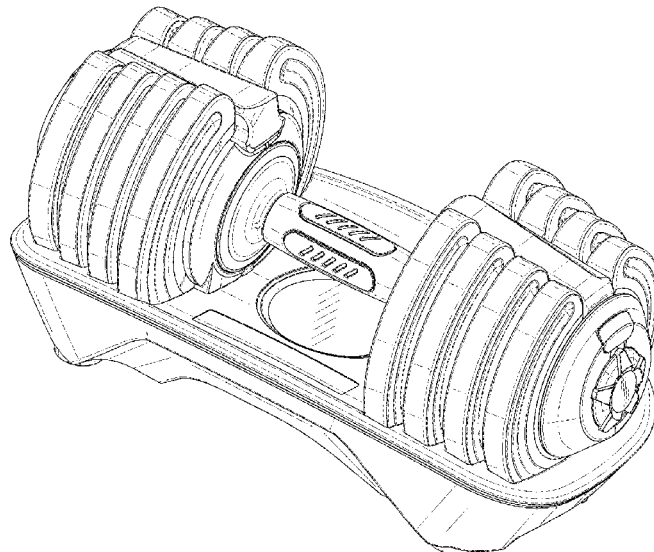
The ornamental design for an adjustable weight dumbbell, as shown and described.

DESCRIPTION

FIG. 1 is a perspective view of an adjustable weight dumbbell showing my new design;
FIG. 2 is a front elevational view thereof;
FIG. 3 is a rear elevational view thereof;
FIG. 4 is a left side view thereof;
FIG. 5 is a right side view thereof;
FIG. 6 is a top plan view thereof;
FIG. 7 is a bottom plan view thereof; and,
FIG. 8 is an enlarged view of a portion thereof shown in FIG. 2.

The broken lines showing of bottom elements are for the purpose of illustrating portions of the adjustable weight dumbbell which form no part of the claimed design.

1 Claim, 8 Drawing Sheets



(56)

References Cited

U.S. PATENT DOCUMENTS

2020/0330813 A1* 10/2020 Liu A63B 21/075
2022/0047908 A1* 2/2022 Weng A63B 21/0726

OTHER PUBLICATIONS

“Ativafit Adjustable 44lbs Pair” Jul. 30, 2019, Amazon, site visited Oct. 25, 2023: <https://amzn.to/3LA8rx1> (Year: 2019).*

“Bowflex Dumbbell Review” Jul. 23, 2019, Youtube, site visited Oct. 25, 2023: <https://www.youtube.com/watch?v=G82oAaiWQ11> (Year: 2019).*

“The Highest-Rated Adjustable Dumbbells on Amazon: Flybird Review!” Nov. 15, 2022, Youtube, site visited Jan. 2, 2024: <https://www.youtube.com/watch?v=-AimhBifl4Y> (Year: 2022).*

“Approved New Nordic Track Adjustable Dumbbells”, Jun. 24, 2021, Youtube, site visited Jan. 2, 2024: <https://www.youtube.com/watch?v=VNg-B4qlqsQ> (Year: 2021).*

* cited by examiner

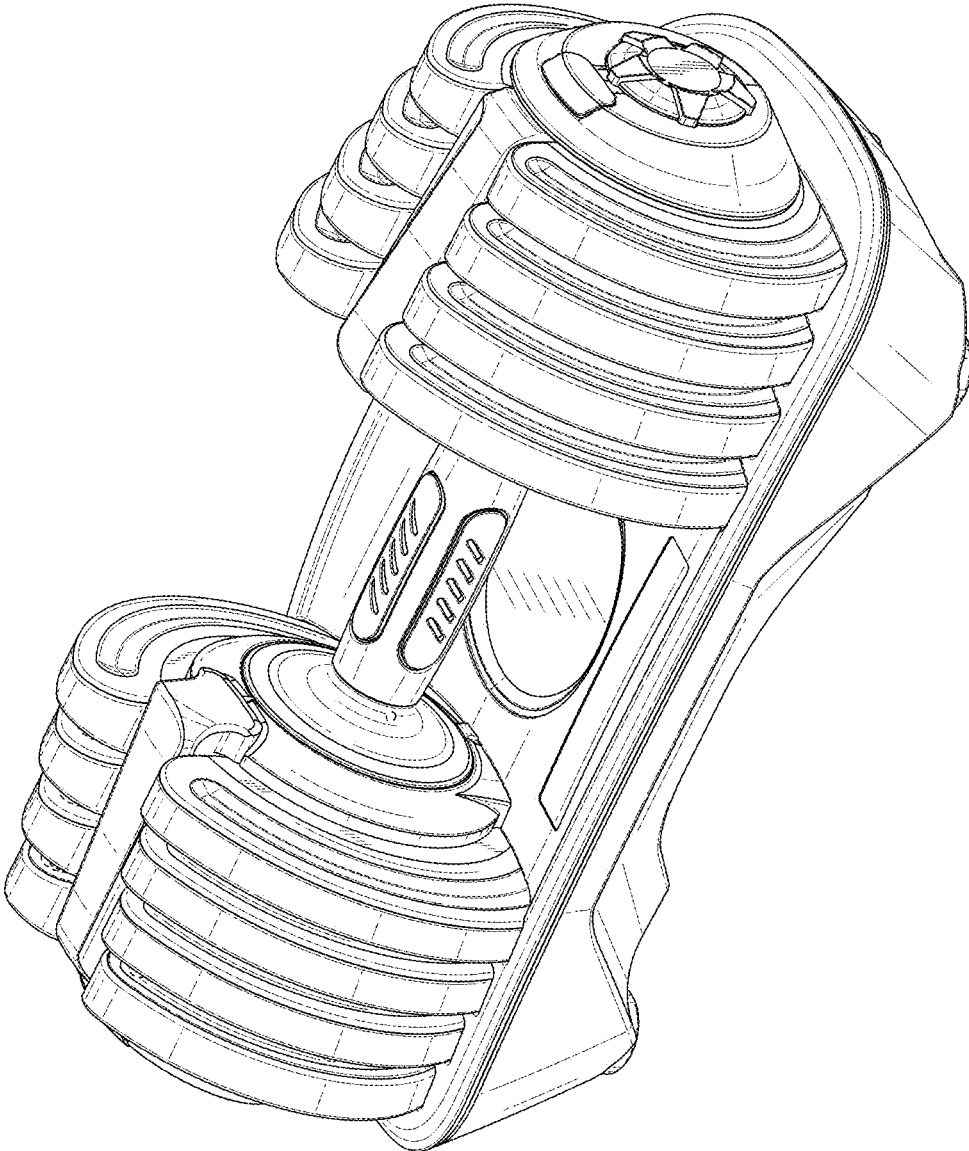


FIG. 1

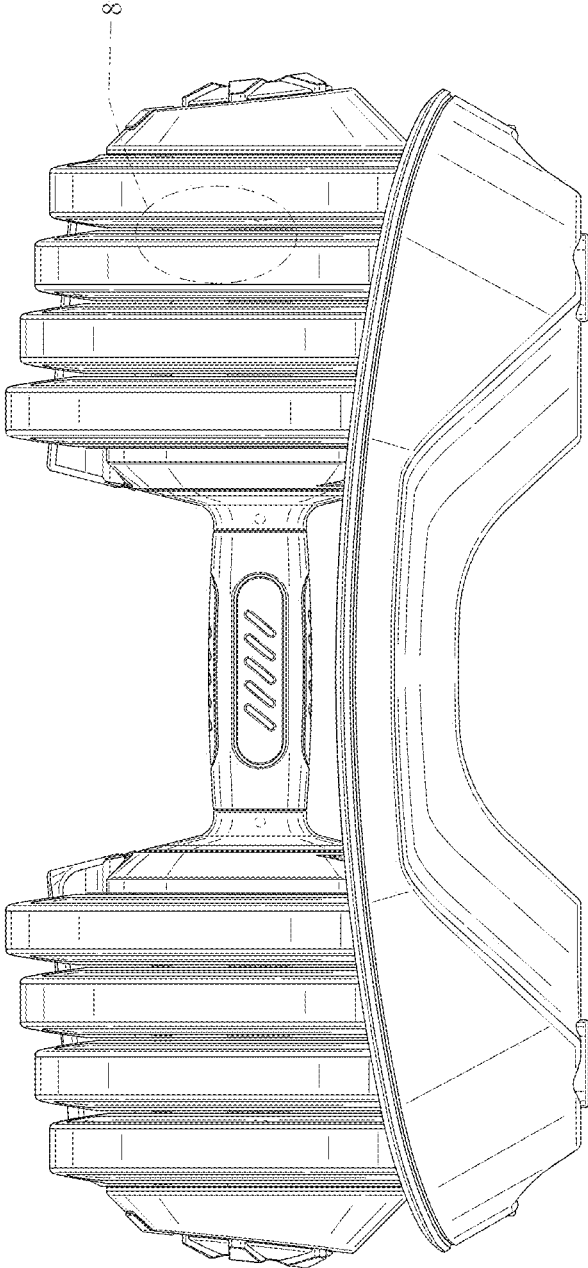


FIG. 2

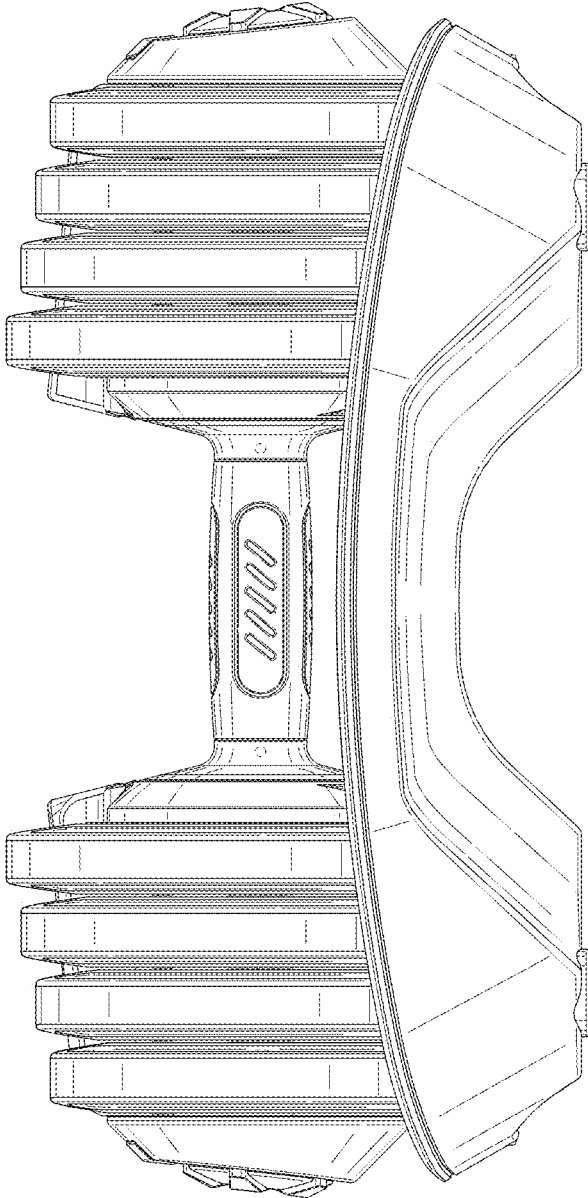


FIG. 3

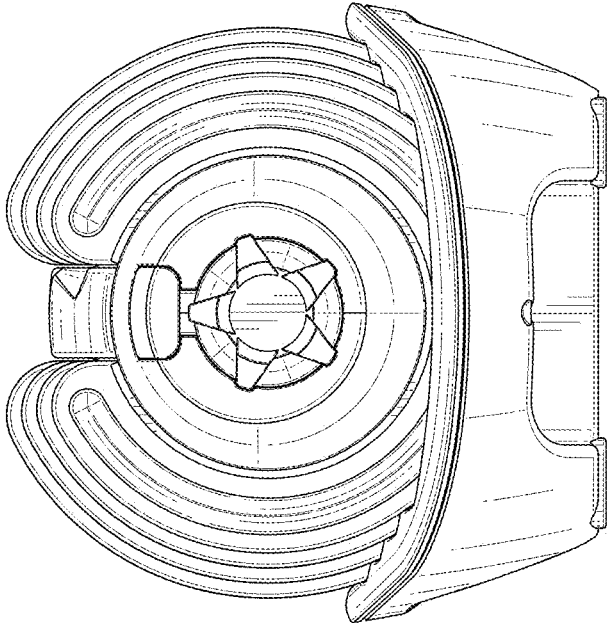


FIG. 4

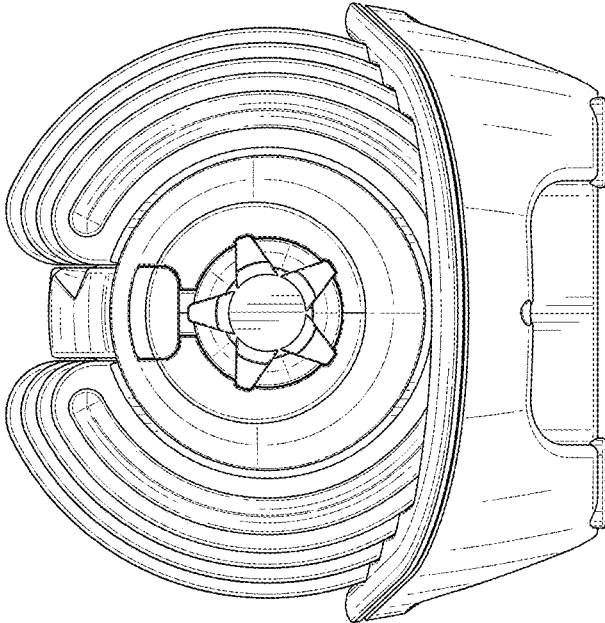


FIG. 5

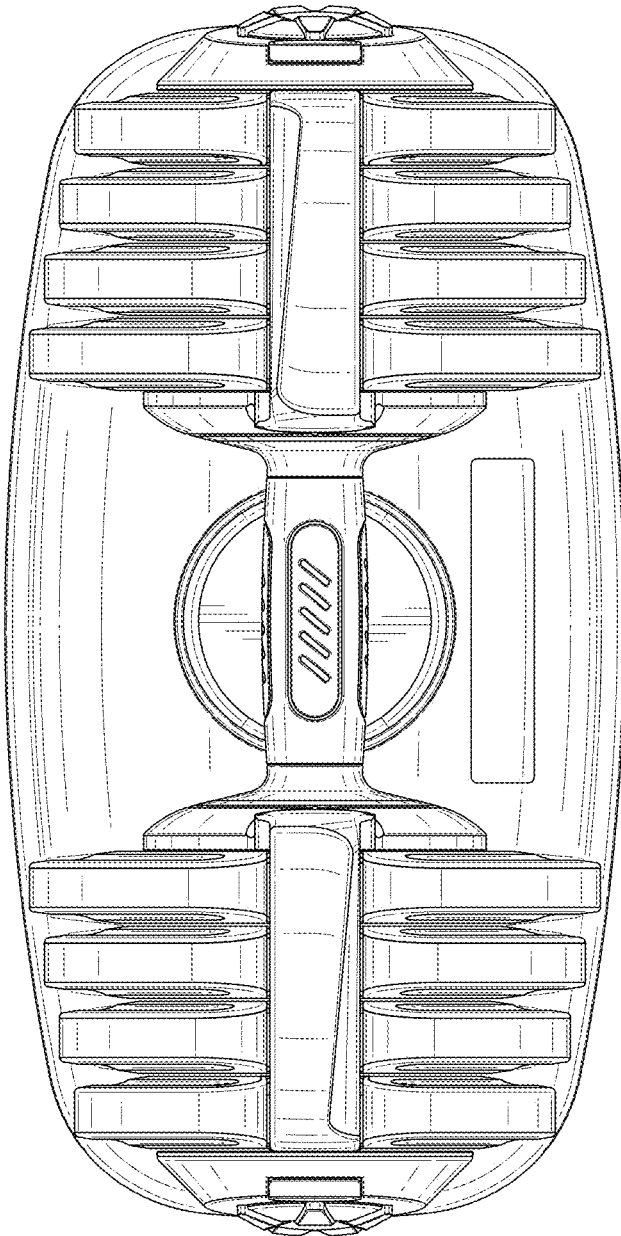


FIG. 6

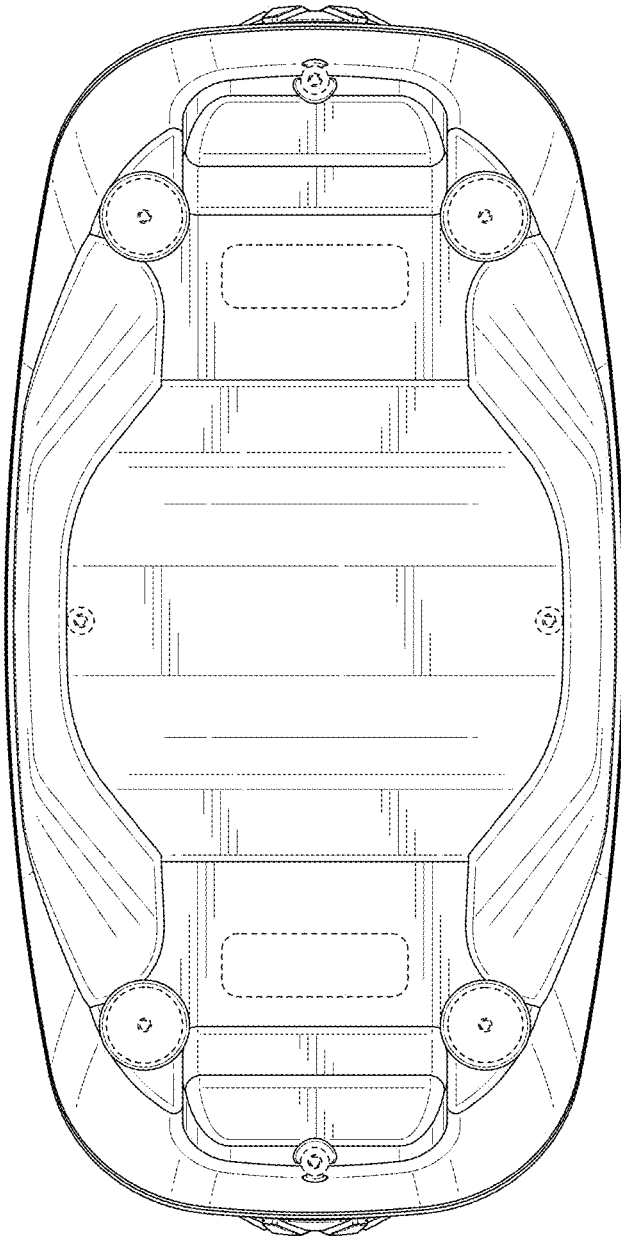


FIG. 7

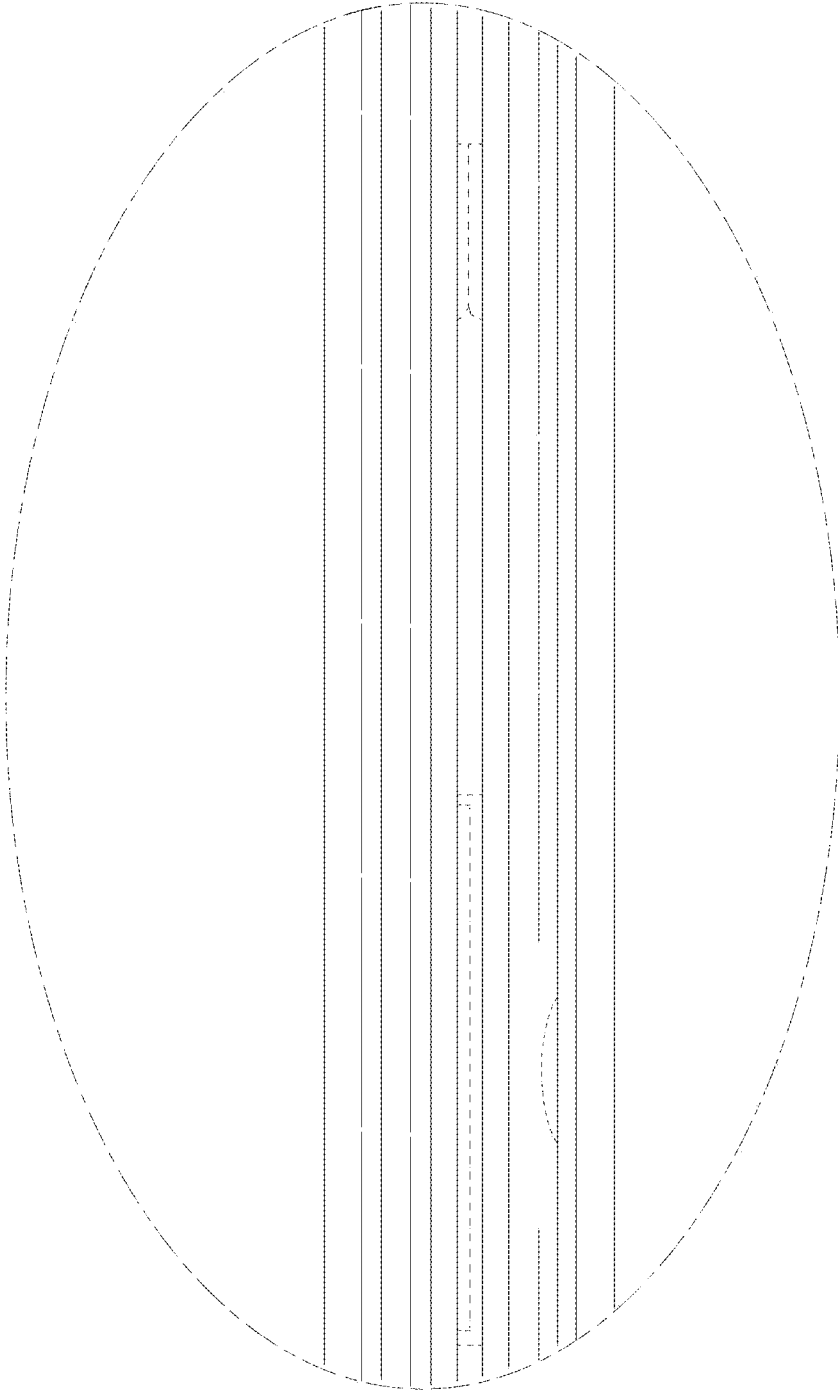


FIG. 8