



US00RE50070E

(19) **United States**
(12) **Reissued Patent**
Ma

(10) **Patent Number:** **US RE50,070 E**
(45) **Date of Reissued Patent:** **Aug. 6, 2024**

- (54) **MAGNETIC LAMP** D344,605 S * 2/1994 Aspenwall D26/76
- (71) Applicant: **Shenzhen City Donglin High-Tech Co., Ltd., Shenzhen (CN)** D393,734 S 4/1998 Casteel
- (72) Inventor: **Zenan Ma, Shenzhen (CN)** D424,732 S 5/2000 Cece
- (73) Assignee: **Shenzhen City Donglin High-Tech Co., Ltd., Shenzhen (CN)** D481,483 S 10/2003 Waugh et al.
- (21) Appl. No.: **29/873,430** D543,651 S 5/2007 Hargreaves
- (22) Filed: **Mar. 31, 2023** D581,079 S * 11/2008 Mier-Langner D26/72

Related U.S. Patent Documents

Reissue of:

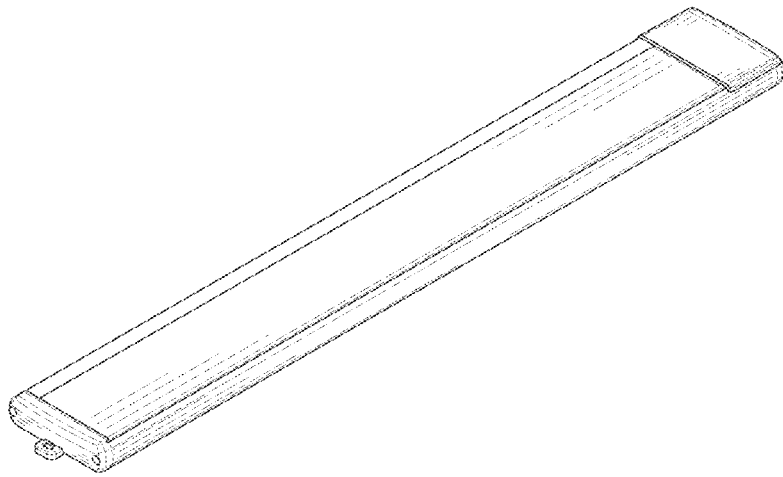
- (64) Patent No.: **Des. 917,091**
- Issued: **Apr. 20, 2021**
- Appl. No.: **29/677,990**
- Filed: **Jan. 25, 2019**

- (51) **LOC (14) Cl.** **26-04**
- (52) **U.S. Cl.**
USPC **D26/76**
- (58) **Field of Classification Search**
USPC D26/1, 2, 24, 37, 60, 61, 63, 65, 67, 71,
D26/72, 85, 89, 93, 94, 98, 99, 106, 111,
D26/118, 119, 125
CPC F21S 2/00; F21S 9/02; F21S 9/03; F21S
9/032; F21S 9/035; F21S 6/00; F21S
10/00; F21S 10/007; F21S 10/02; F21S
10/046; F21S 8/02; F21S 8/03; F21S
8/04; F21V 7/0058; F21V 21/30
See application file for complete search history.

(56) **References Cited**

U.S. PATENT DOCUMENTS

D123,048 S	10/1940	Doane	D709,636 S * 7/2014	Murata	D26/72
D123,887 S	12/1940	Koehler	D715,466 S * 10/2014	Wang	D26/24
D166,093 S	3/1952	McPhail	D730,558 S * 5/2015	Dungan	D26/76
D175,188 S	7/1955	Phillips	D735,390 S * 7/2015	Yanping	D26/74
D191,531 S	10/1961	Spaulding	D791,383 S * 7/2017	Yu	D26/76
D203,406 S	1/1966	Wince et al.	D791,997 S * 7/2017	van den Dool	D26/76
D292,322 S	10/1987	Krol	D800,942 S * 10/2017	Poyrah	D26/72
D329,715 S	9/1992	Dieperink	D801,570 S * 10/2017	Grandsart	D26/76
			9,874,333 B2 * 1/2018	Lay	F21S 8/04
			D819,878 S * 6/2018	Cerce	D26/138
			D820,500 S 6/2018	Li et al.	
			D825,792 S * 8/2018	Johnson	D26/24
			D858,852 S * 9/2019	Chen	D26/76
			D859,199 S * 9/2019	Goltche	D10/114.4
			D860,484 S * 9/2019	Wang	D26/24
			D861,950 S * 10/2019	Hsu	D26/76
			D862,766 S * 10/2019	Kim	D26/76
			D869,048 S * 12/2019	Chai	D26/76
			D872,339 S * 1/2020	Chen	D26/76
			D876,700 S * 2/2020	Patterson	D26/76
			D880,021 S * 3/2020	Meise	D26/24
			D880,044 S * 3/2020	Chen	D26/76
			D884,243 S * 5/2020	Li	D26/63
			D889,722 S * 7/2020	Veltri	D26/76
			D897,022 S * 9/2020	Guo	D26/76
			D900,374 S * 10/2020	Luo	D26/85
			D917,091 S * 4/2021	Ma	D26/76
			D935,679 S * 11/2021	Yuan	D26/76
			D935,680 S * 11/2021	Yuan	D26/76
			D938,087 S * 12/2021	Zou	D26/85
			D938,640 S * 12/2021	Zou	D26/85
			D939,756 S * 12/2021	Yuan	D26/85
			D940,376 S * 1/2022	Yuan	D26/85
			D945,045 S * 3/2022	Shen	D26/85
			D945,046 S * 3/2022	Shen	D26/85
			D965,196 S 9/2022	Johnson	
			D970,784 S * 11/2022	Ai	D26/76
			D975,906 S * 1/2023	Li	D26/76



D984,013	S	*	4/2023	Pan	D26/85
D991,530	S	*	7/2023	Pettit	D26/76
D994,945	S	*	8/2023	Xie	D26/85
D998,851	S	*	9/2023	Xia	D26/85
D1,003,491	S	*	10/2023	Hu	D26/87
D1,006,295	S	*	11/2023	Ghasabi	D26/76
D1,007,739	S	*	12/2023	Zhu	D26/72
D1,011,591	S	*	1/2024	Ma	D26/24
D1,014,819	S	*	2/2024	Barlettano	D26/76
2007/0127235	A1	*	6/2007	Cooper	F21L 4/00 362/217.1

[No Author Listed] Moston 3 Pack Upgraded USB Rechargeable 10 LED Magnetic Motion Sensor Night Light,Dusk to Dawn Photocell-1,Auto On/Off.Portable,Cordless,Stick-on Anywhere for Cabinet,Closet,Wardrobe(Silver). Amazon.com. https://www.amazon.co.uk/Upgraded-Rechargeable-Magnetic-Photocell-Off-Portable/dp/B06XPD3BP2/ref=sr_1_1_?crid=65KGXT8S942K&keywords=B06XPD3BP2&qid=1680180897&srefix=b06xpd3bp2%2Caps%2C170&sr=8-1. Oct. 21, 2017:1-5.
amzon.co.uk: Moston 3 Pack Upgraded USB Rechargeable Light. Date uploaded Mar. 16, 2017 [site visited Sep. 11, 2020]. Retrieved from internet, <https://www.amazon.co.uk/Upgraded-Rechargeable-Magnetic-Photocell-Off-Portable/dp/B06XPD3BP2/ref=sr_1_1_sspa...>(Year: 2017).*

FOREIGN PATENT DOCUMENTS

CN	303828465	S	8/2016
CN	304195538	S	7/2017
CN	306599486	S	6/2021
CN	307459643	S	7/2022
CN	307596084	S	10/2022
CN	307850009	S	2/2023
CN	307880379	S	2/2023
EM	000365846-0001	S	9/2005
EM	001227060-0001	S	8/2010
GB	9002721241-0003	S	7/2015
GB	6107126	S	1/2021
GB	6221935	S	7/2022
JP	1592875	S	12/2017
KR	30-0255360	S	3/2000
KR	30-0579990	S	11/2010
KR	30-0632367	S	3/2012

* cited by examiner

Primary Examiner — Darlington Ly
(74) Attorney, Agent, or Firm — Wolf, Greenfield & Sacks, P.C.

(57) CLAIM

The ornamental design for a magnetic lamp, as shown and described.

DESCRIPTION

FIG. 1 is a front elevational view of a magnetic lamp showing my new design;
FIG. 2 is a rear elevational view thereof;
FIG. 3 is a left side *elevational* view thereof;
FIG. 4 is a right side *elevational* view thereof;
FIG. 5 is an enlarged top plan view thereof;
FIG. 6 is an enlarged bottom plan view thereof; [and,]
FIG. 7 is a perspective view thereof[.];
FIG. 8 is a front elevational view of a magnetic lamp showing my new design in accordance to another embodiment;
FIG. 9 is a rear elevational view of the magnetic lamp of FIG. 8;
FIG. 10 is a left side elevational view of the magnetic lamp of FIG. 8;
FIG. 11 is a right side elevational view of the magnetic lamp of FIG. 8;
FIG. 12 is an enlarged top plan view of the magnetic lamp of FIG. 8;
FIG. 13 is an enlarged bottom plan view of the magnetic lamp of FIG. 8; and,
FIG. 14 is a perspective view of the magnetic lamp of FIG. 8.

Throughout the drawings the broken lines depict portions of the magnetic lamp that form no part of the claimed design.

1 Claim, 14 Drawing Sheets

Matter enclosed in heavy brackets [] appears in the original patent but forms no part of this reissue; matter printed in italics indicates the additions made by reissue.

OTHER PUBLICATIONS

“LED Direct Wire Under Cabinet Light in 3000K Soft White.” Favorite Monkey., May 28, 2021 [online], [retrieved on Mar. 6, 2024]. Retrieved from the Internet <URL: <https://favoritemonkey.com/product/24-inch-led-direct-wire-under-cabinet-light-3000k/>>.*
“GE 12-in Plug-in LED Under Cabinet Light Bar Light.” Lowes., Apr. 17, 2018 [online], [retrieved on Mar. 6, 2024]. Retrieved from the Internet <URL: <https://www.lowes.com/pd/GE-GE-Fixture-LED-12in-Convertible-Linkable-Hi-Low-Off-3000K-90-CRI/1003002676>>.*
“Genlamp Warm White Linkable LED Strip Light 300mm.” Bourne Superstore., Sep. 30, 2019 [online], [retrieved on Mar. 6, 2024]. Retrieved from the Internet <URL: <https://www.bournesuperstore.com.au/warm-white-linkable-led-strip-light-300mm>>.*
“Under Cabinet Lighting Rechargeable,Motion Sensor Closet Lights,Usb Rechargeable Dimmable Closet Light Night Light Bar,for Kitchen.” Amazon., Apr. 26, 2021 [online], [retrieved on Mar. 6, 2024]. Retrieved from the Internet <URL: <https://www.amazon.ae/Cabinet-Lighting-Rechargeable-Dimmable-Kitchen/dp/B093H13XG6>>.*
“EVERDOSS Under Cabinet Lights Motion Sensor Light Indoor,30 LED Under Cabinet Lighting,Wireless USB . . . 6 Pack Warm Light.” Amazon., Sep. 22, 2022 [online], [retrieved on Mar. 6, 2024]. Retrieved from the Internet <URL: <https://www.amazon.com/EVERDOSS-Wireless-Rechargeable-Magnetic-Anywhere/dp/B0B8Y75DRT?th=1>>.*
“Svarog Closet Lights,340 Lumens Under Cabinet Lights Wireless 19.49” Detachable Battery Motion Sensor Light Indoor Dimming Magnetic Night Light for Cupboard,Kitchen, Bedroom,Wardrobe,Hallway.” Amazon., Oct. 1, 2022 [online], [retrieved on Mar. 6, 2024]. Retrieved from the Internet <URL: <https://www.amazon.com/Svarog-Rechargeable-Wireless-Dimmable-Magnetic/dp/B09H2LRZDD?th=1>>.*

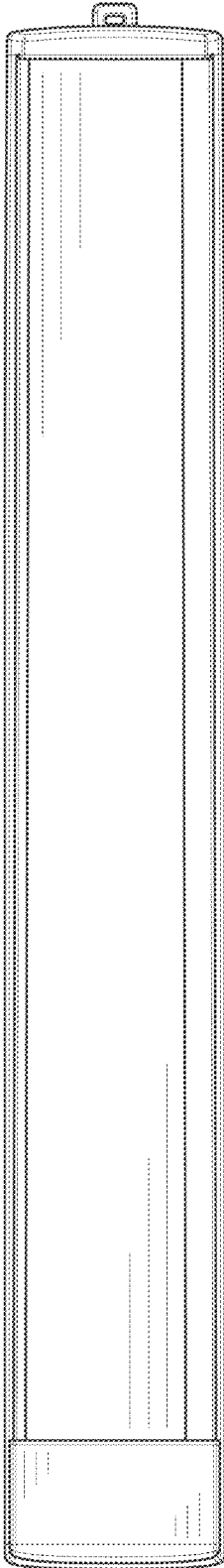


FIG. 1

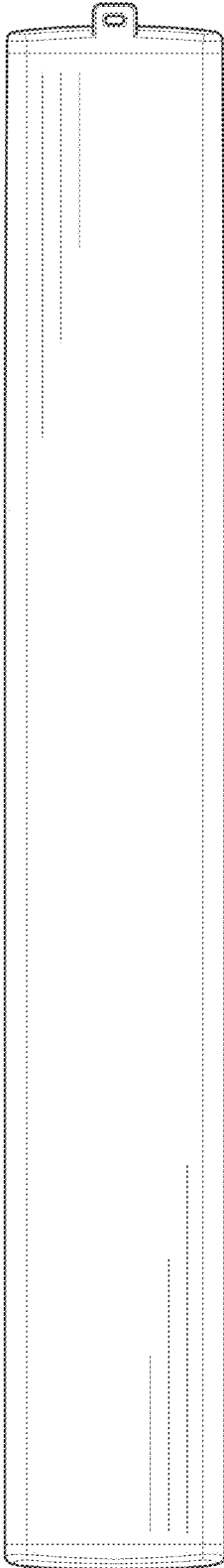


FIG. 2

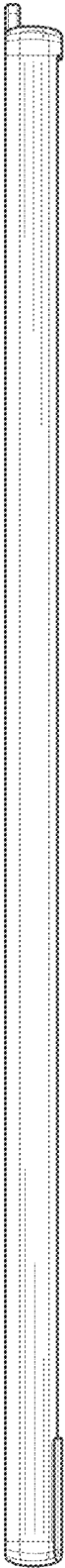


FIG. 3



FIG. 4



FIG. 5



FIG. 6

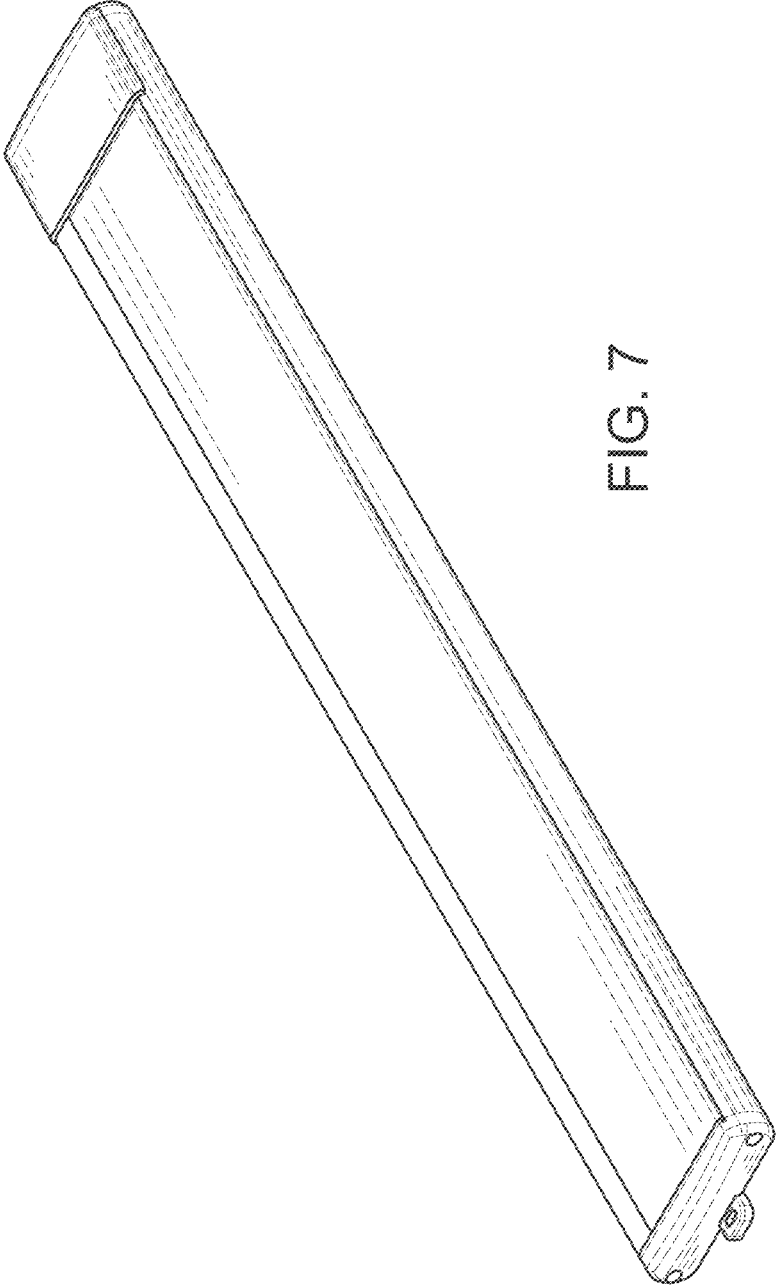


FIG. 7

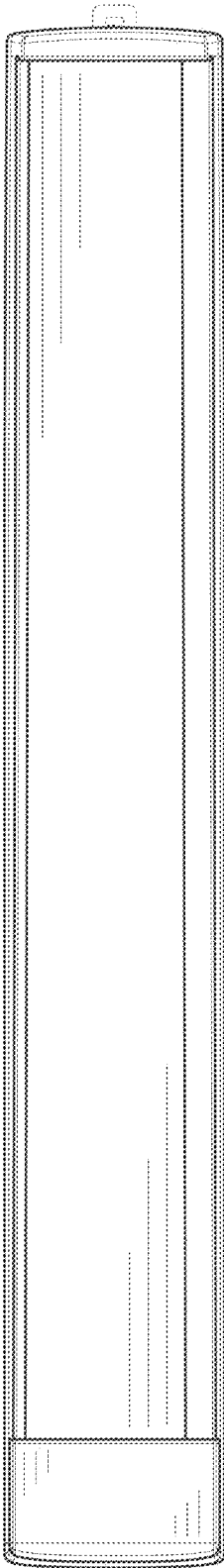


FIG. 8
(New)

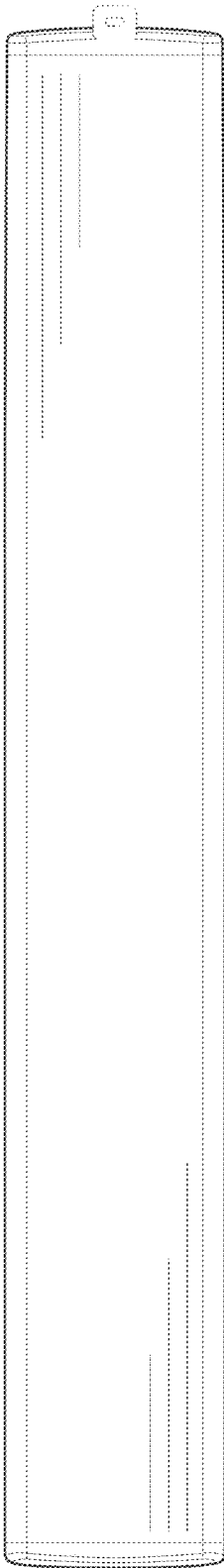


FIG. 9
(New)

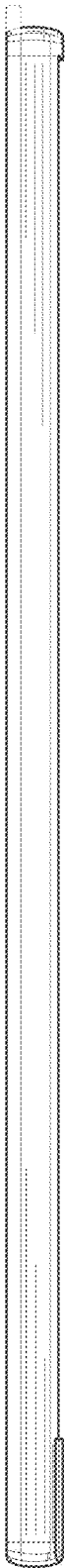


FIG. 10
(New)

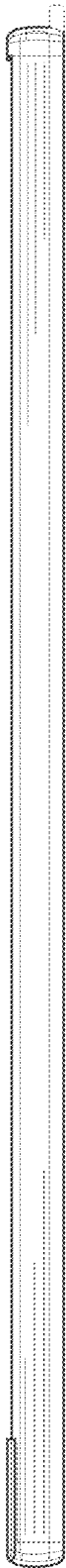


FIG. 11
(New)



FIG. 12
(New)



FIG. 13
(New)

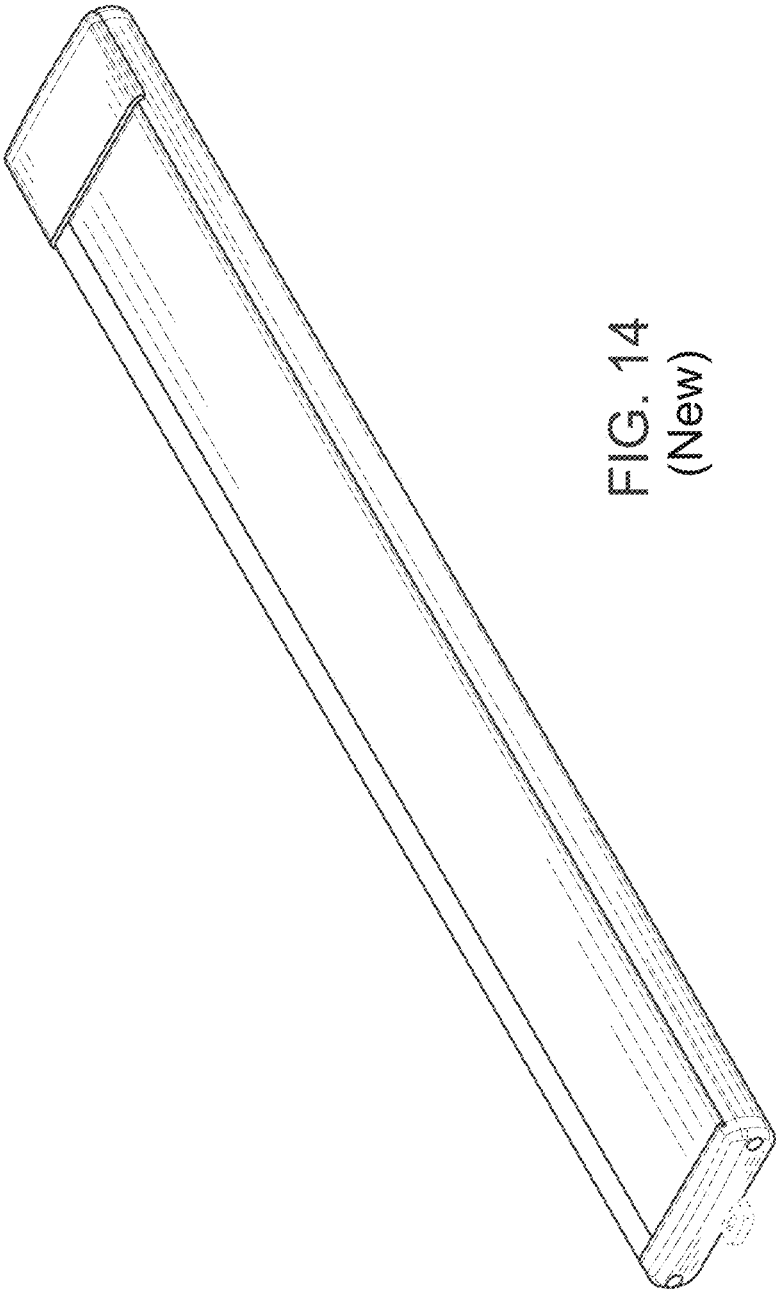


FIG. 14
(New)