



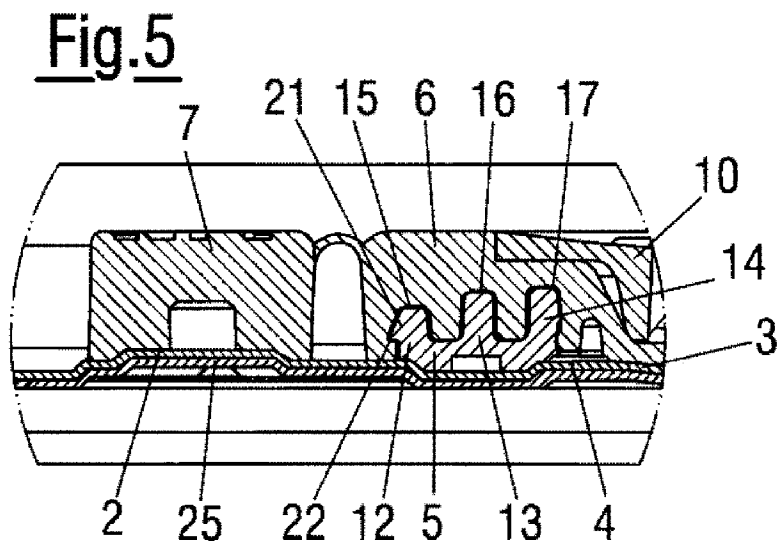
(12) **DEMANDE DE BREVET CANADIEN
CANADIAN PATENT APPLICATION**

(13) **A1**

(86) Date de dépôt PCT/PCT Filing Date: 2019/06/17
(87) Date publication PCT/PCT Publication Date: 2019/12/26
(85) Entrée phase nationale/National Entry: 2020/12/07
(86) N° demande PCT/PCT Application No.: EP 2019/065890
(87) N° publication PCT/PCT Publication No.: 2019/243260
(30) Priorité/Priority: 2018/06/19 (EP18178561.9)

(51) Cl.Int./Int.Cl. *B65D 51/16* (2006.01),
B65D 17/28 (2006.01), *B65D 53/02* (2006.01)
(71) Demandeur/Applicant:
TOP CAP HOLDING GMBH, AT
(72) Inventeur/Inventor:
PIECH, GREGOR ANTON, AT
(74) Agent: SMART & BIGGAR IP AGENCY CO.

(54) Titre : COUVERCLE DE BOITE METALLIQUE
(54) Title: METALLIC CAN END



(57) **Abrégé/Abstract:**

The invention relates to a metallic can lid having a reclosable opening, e.g. for beverage cans, comprising: a microgap or line of weakness provided in the metallic lid surface and surrounding the opening; a sealing frame made of plastic material connected to the fixed lid surface and surrounding the opening region; and a closure unit made of plastic material which is connected to the upwardly pivotable metallic lid region located within the microgap or the line of weakness and which is pivotably mounted on the fixed lid surface via a pivot bearing and which is preferably provided with a pull-tab element that is connected to the closure unit so as to be pivotable upwards diametrically opposite the pivot bearing, wherein the sealing frame and the closure unit sealingly cooperate, preferably via sealing and engagement ribs and associated receiving grooves, and the metallic lid region located within the peripheral microgap or the line of weakness is received and held in the opening region of the lid, wherein the sealing frame is integrally joined to the fixed lid surface and the closure unit is integrally joined to the upwardly pivotable metallic lid region, wherein the sealing edges are designed such that, when the can lid is opened, the radially innermost sealing edge remains sealed when the radially outer sealing edges have just been released.

Top Cap Holding

T10377PWO - Sf/Ck

Abstract

A metallic can end having a reclosable opening, in particular for beverage cans
5 and for storing foodstuffs and other liquid, pasty, powder, or solid products, having
a microgap or weakening line provided in the metallic end surface and peripheral
about the opening, having a sealing frame composed of plastic material connected
to the fixed end surface and surrounding the opening region, having a closure unit
composed of plastic material that is connected to the upwardly pivotable metal end
10 region disposed within the microgap or weakening line, that is pivotably attached
to the fixed end surface via a pivot bearing, and that is preferably provided with a
tear-open member that is upwardly pivotably connected to the closure unit
diametrically opposite the pivot bearing, wherein the sealing frame and the closure
unit cooperate in a sealing manner with one another, preferably via sealing and
15 latching ribs and associated reception grooves, and the metallic can region
disposed within the peripheral microgap or weakening line is received and held in
the opening region of the end, wherein the sealing frame is bonded to the fixed
end surface and the closure unit is bonded to the upwardly pivotable metallic end
region, in particular by a thermal process, using an adhesive agent that is
20 preferably suitable for foodstuffs and/or has lubricating properties, and wherein the
sealing edges are configured such that the radially innermost sealing edge still
seals on the opening of the can end when the radially outer sealing edges have
just been released.

Top Cap Holding

T10377PWO - Sf/Ck

Metallic can end

5 The present invention relates to a metallic can end having a reclosable opening, in particular for beverage cans and for containers for storing foodstuffs and other liquid, pasty, powdery and/or solid products.

10 A can end having a reclosable opening is known from EP 1 607 341 A1 in which an opening is introduced in the metallic can end and the margin of this opening is beaded to create an anchorage possibility for a prefabricated plastic closure part. The plastic closure part includes a base part which is to be connected to the bead margin of the can opening and in which an opening closed by a flat stopper is formed. The flat stopper is connected to the opening margin via a plastic tear
15 seam so that the flat stopper connected to a tear tab can be released from the base plastic part via the tear tab by exertion of a pull and can be pivoted into an opening position. The opening can be temporarily closed again by pressing in the flat stopper which is preferably conical at its lower side.

20 Reclosable can ends are furthermore described, for example, in DE 10 2010 013 531 A1, DE 10 2015 112 428 A1 and EP 2 354 022 B1.

It is the object of the invention to provide a reclosable can end that is particularly favorable in manufacture and that, on the one hand, is nevertheless particularly
25 easy to actuate and, on the other hand, has good sealing properties.

This object is satisfied by a metallic can end having the features of claim 1.

A microgap ensures a particularly simple opening of the can end, but a weakening line is also generally suitable. An effective closure and reclosing can be achieved via the sealing and latching ribs and via the associated reception grooves. It is particularly advantageous in this respect that the sealing frame is bonded to the
5 fixed end surface and that the closure unit is bonded to the upwardly pivotable metallic end region.

In accordance with the invention, the sealing and latching ribs form at least two, preferably three, sealing edges with the reception grooves, with the sealing edges
10 being configured such that on the opening of the can end, the radially innermost sealing edge still seals when the radially outer sealing edge or both radially outer sealing edges have just been released. A so-called venting of a can closed by the can end can be achieved in this manner, that is a slow pressure drop before the complete opening of the can end.

15 In accordance with a preferred embodiment of the invention, the radially innermost sealing edge has a larger distance from the end surface than the other sealing edge or than the two other sealing edges. The innermost sealing edge thereby releases after the other sealing edge or after the two other sealing edges so that
20 said venting is achieved.

In accordance with a particularly preferred embodiment of the invention, at least the radially innermost sealing edge extends in a plane that is inclined with respect to the plane of the end region disposed within the microgap or the weakening line,
25 with the two planes having the greatest distance from one another on the side remote from the pivot bearing. It can be achieved by this embodiment that the innermost sealing edge seals over its total periphery for so long until the outer sealing edge or the two outer sealing edges have been released.

In accordance with a further embodiment of the invention that is also claimed per se, the sealing and latching ribs, on the one hand, and the reception grooves, on the other hand, are configured such that they increasingly interlock with one another with an upwardly arching can end. It can hereby be ensured that the can
5 end also remains closed on an increasing internal pressure in the can.

In accordance with a preferred embodiment of this idea of the invention, a latching rib provided at the sealing frame has an outwardly facing hook that cooperates with a correspondingly inwardly facing latch projection of a receiver of the closure
10 unit. An increasing interlocking with upwardly arching can ends is achieved by this embodiment.

In accordance with yet another embodiment of the invention that is likewise also claimed per se, the tear-open member has an aperture into which a prolongation
15 of the closure unit engages, with the prolongation being connected to the tear-open members so firmly, in particular bonded, that the prolongation is torn off from the closure unit on the upward pivoting of the tear-open member. An originality closure is created by this embodiment, that is a closure whose opening is recognizably irreversible.

20

In accordance with a particularly preferred further development of this idea of the invention, the aperture and the prolongation are provided in the region of the pivot bearing of the tear-open part. It is hereby achieved that the tearing off of the prolongation already takes place on the raising of the tear-open part so that every
25 manipulation of the can end can be prevented.

An embodiment of the invention is represented in the drawing and will be described in the following. There are shown, schematically in each case

30

- Fig. 1 a perspective view of a can end in accordance with the invention;
- Fig. 2 a plan view of the upper side of the can end of Fig. 1;
- 5 Fig. 3 a section in accordance with the line A-A in Fig. 2;
- Fig. 4 a section in accordance with the line B-B in Fig. 2;
- Fig. 5 detail C of Fig. 3 at an increased scale;
- 10 Fig. 6 detail D of Fig. 3 at an increased scale;
- Fig. 7 a plan view of sealing frame of a can end in accordance with the invention;
- 15 Fig. 8 a section in accordance with the line A-A in Fig. 7;
- Fig. 9 a section in accordance with the line C-C in Fig. 7; and
- 20 Fig. 10 detail B of Fig. 8 at an increased scale.

The can end 1 shown in the Figures comprises metal, in particular aluminum, and has a reclosable opening. An upwardly pivotable end region 3 is provided beside a fixed end surface 2 for this purpose. The upwardly pivotable end region 3 is separated from the fixed end region 2 by a peripheral microgap 4 or by a weakening line (see in particular Fig. 6).

25

A sealing frame 5 that is composed of plastic material and that surrounds the opening region is connected to the fixed end surface 2, and indeed in particular by a so-called hot melt process using a bonding agent to ensure a firm connection to

30

the aluminum of the end . A closure unit 6 that is likewise composed of plastic and that is pivotably attached via a pivot bearing 7 to the fixed end surface 2 is furthermore connected to the upwardly pivotable metallic end region 3. The pivot bearing 7 and the closure unit 6 are in turn in particular connected to the fixed end surface 2 or to the upwardly pivotable end region 3 via a hot melt connection using a bonding agent.

The closure unit is connected at the side diametrically opposite the pivot bearing 7 to an upwardly pivotable tear-open member 8 that is arranged in parallel with the upper end side 9 in the non-upwardly pivoted state. The tear-open member 8 is formed as annular in a known manner and can be pivoted upwardly about a pivot bearing 11 by being engaged by a finger in an engagement end 10 opposite the end surface.

The sealing frame 5 and the closure unit 6 cooperate in a sealing manner via sealing and latching ribs 12, 13, 14 at the sealing frame 5 and via associated reception grooves 15, 16, 17 at the closure unit 6. Three sealing edges 18, 19, 20 are thereby formed by which the opening region of the can end is sealed. An imperviousness of the can end is thereby also ensured when using a microgap 4 between the upwardly pivotable end region 3 and the fixed end region 2.

As can in particular be seen in Fig. 6, the radially innermost sealing edge 18 is further remote from the end surface than the two other sealing edges 19 and 20. The innermost sealing edge 18 therefore still seals when the two outer sealing edges 19 and 20 have already just been released on the opening of the can end. A so-called venting of the can interior, that is a slow pressure drop prior to the complete opening, can take place in this manner.

As can in particular be seen in Figs. 9 and 10, the radially innermost sealing edge 18 extends in a plane I that is inclined with respect to the end plane II. The

inclination here, for example, amounts to 1 to 2°, in particular to 1.5°. It is hereby ensured that the innermost sealing edge 18 still seals on the upward pivoting of the end region 3 over the total periphery of said sealing edge 18 when the two outer sealing edge 19, 20 have just released. It can hereby be prevented on the
5 venting of the can interior that liquid moves from the can interior to the outside.

As can in particular be recognized in Figs. 5 and 6, the radially outermost sealing and latching rib 12 provided at the sealing frame 5 has an outwardly facing hook 21 that cooperates with a correspondingly inwardly facing latching projection 22 of
10 the associated receiver 15 of the closure unit 6. It is hereby achieved that the sealing and latching rib 12 increasingly interlocks with the receiver 15 or its latching projection when the can end arches upwardly, for example due to a rising internal pressure in the can.

15 As can in particular be seen in Figs. 2 and 6, the tear-open member 8 has an aperture 23 into which a prolongation 24 of the closure unit 6 engages. The prolongation 24 is so firmly connected to the tear-open member 8, in particular bonded, that the prolongation 24 is torn off from the closure unit 6 on the upward pivoting of the tear-open member 8. Such a firm connection can, for example, be
20 achieved in that the prolongation 24 is initially melted after the injection molding of this plastic part such that it is firmly connected to the part of the tear-open member 8 forming the aperture 23. This can, for example, be achieved by a kind of soldering iron.

25 As can be recognized in Fig. 6, the aperture 23 and the prolongation 24 are provided in the region of the pivot bearing 11 of the tear-open member 8. It is thereby achieved that a small raising of the tear-open member 8 is already sufficient to tear off the prolongation 24.

in the embodiment shown, the inner side of the can end is laminated by a plastic film 25 that covers the total inner can side. Differing from this, the plastic film can also be formed as annular and can only extend a few tenths of a millimeter, in particular 3 to 4 tenths of a millimeter, at both sides beyond the microgap 4 or the
5 weakening line. A different possibility comprises using a disk-shaped sealing film that extends a few tenths of a millimeter, for example 3 to 4 tenths of a millimeter, radially outwardly beyond the microgap 4 or the weakening line. The sealing film can be formed as a largely flat disk in this case. Both the annular and the disk-shaped sealing films are preferably formed as stamped parts.

10

Whereas the sealing frame 5 and the closure unit 6 are always attached to the outer side of the can end 1 and are connected to the can end via a bonding agent, the inner end side can also, differing from the embodiment, be at least largely free of laminations and the like. The inner end side can, however, be provided with a
15 lacquer layer, in particular suitable for use in foodstuffs, to prevent a contact of the product contained in the can to the metallic end material.

As can in particular be recognized in Figs. 5 and 6, the closure unit 6 bonded to the fixed end region 2 engages over the microgap 4. An imperviousness of the can
20 end can also be achieved in this manner without a sealing film at the inner end side.

Reference numeral list

	1	can end
	2	fixed end region
5	3	upwardly pivotable end region
	4	microgap
	5	sealing frame
	6	closure unit
	7	pivot bearing
10	8	tear-open member
	9	upper can side
	10	engagement end
	11	pivot bearing of 8
	12	sealing and latching rib
15	13	sealing and latching rib
	14	sealing and latching rib
	15	reception groove
	16	reception groove
	17	reception groove
20	18	sealing edge
	19	sealing edge
	20	sealing edge
	21	hook
	22	projection
25	23	aperture
	24	prolongation
	25	sealing film
	I	plane
30	II	plane

Claims

1. A metallic can end having a reclosable opening, in particular for beverage cans and for containers for storing foodstuffs and other liquid, pasty, powdery, or solid products, having a microgap (4) or weakening line provided in the metallic end surface and peripheral about the opening, having a sealing frame (5) composed of plastic material connected to the fixed end surface (2) and surrounding the opening region, having a closure unit (6) that is composed of plastic material, that is connected to the upwardly pivotable metallic end region (3) disposed within the microgap (4) or the weakening line, that is pivotably attached to the fixed end surface (2) via a pivot bearing (7), and that is preferably provided with a tear-open member (8) that is upwardly pivotably connected to the closure unit (6) diametrically opposite the pivot bearing (7), wherein the sealing frame (5) and the closure unit (6) cooperate in a sealing manner via sealing and latching ribs (12, 13, 14) and associated reception grooves (15, 16, 17) and the metallic end region (3) disposed within the peripheral microgap (4) or weakening line is received and held in the opening region of the end (1), and wherein the sealing and latching ribs (12, 13, 14) form at least two, preferably three sealing edges (18, 19, 20) with the reception grooves (15, 16, 17),
- characterized in that
- the sealing edges are configured such that on the opening of the can end (1), the radially innermost sealing edge (18) still seals when the radially outer sealing edge or the radially outer sealing edges (19, 20) have just been released.
2. A can end in accordance with claim 1, characterized in that

the radially innermost sealing edge (18) has a greater distance from the end surface than the other sealing edge or both the other sealing edges (19, 20).

- 5 3. A can end in accordance with claim 1 or claim 2,
characterized in that
the radially innermost sealing edge (18) extends in a plane (I) that is
inclined with respect to the plane of the metallic end region (3) disposed
within the microgap (4) or weakening line, with the two planes (I, II) having
10 the greatest distance from one another on the side remote from the pivot
bearing (7).
4. A metallic can end having a reclosable opening, in particular for beverage
cans and for containers for storing foodstuffs and other liquid, pasty,
15 powdery, or solid products, having a microgap (4) or weakening line
provided in the metallic end surface and peripheral about the opening,
having a sealing frame (5) composed of plastic material connected to the
fixed end surface (2) and surrounding the opening region, having a closure
unit (6) that is composed of plastic material, that is connected to the
20 upwardly pivotable metallic end region (3) disposed within the microgap (4)
or the weakening line, that is pivotably attached to the fixed end surface (2)
via a pivot bearing (7), and that is preferably provided with a tear-open
member (8) that is upwardly pivotably connected to the closure unit (6)
diametrically opposite the pivot bearing (7), wherein the sealing frame (5)
25 and the closure unit (6) cooperate in a sealing manner via sealing and
latching ribs (12, 13, 14) and associated reception grooves (15, 16, 17) and
the metallic end region (3) disposed within the peripheral microgap (4) or
weakening line is received and held in the opening region of the end (1),
and wherein the sealing and latching ribs (12, 13, 14) form sealing edges

(18, 19, 20) with the reception grooves (15, 16, 17), in particular in accordance with any one of the preceding claims, characterized in that

5 the sealing and latching ribs (12, 13, 14), on the one hand, and the reception grooves (15, 16, 17), on the other hand, are configured such that they increasingly interlock with one another with an upwardly arching can end (1).

10 5. A can end in accordance with claim 4, characterized in that a latching rib (12) provided at the sealing frame (5) has an outwardly facing hook (21) that cooperates with a correspondingly inwardly facing latching projection (22) of an associated reception groove of the closure unit (6).

15 6. A metallic can end having a reclosable opening, in particular for beverage cans and for containers for storing foodstuffs and other liquid, pasty, powdery, or solid products, having a microgap (4) or weakening line provided in the metallic end surface and peripheral about the opening, having a sealing frame (5) composed of plastic material connected to the
20 fixed end surface (2) and surrounding the opening region, having a closure unit (6) that is composed of plastic material, that is connected to the upwardly pivotable metallic end region (3) disposed within the microgap (4) or the weakening line, that is pivotably attached to the fixed end surface (2) via a pivot bearing (7), and that is provided with a tear-open member (8)
25 that is upwardly pivotably connected to the closure unit (6) diametrically opposite the pivot bearing (7), wherein the sealing frame (12) and the closure unit (13) preferably cooperate in a sealing manner via sealing and latching ribs (12, 13, 14) and associated reception grooves (15, 16, 17) and the metallic end region (3) disposed within the peripheral microgap (4) or

weakening line is received and held in the opening region of the end (1), in particular in accordance with any one of the preceding claims, characterized in that

5 the tear-open member (8) has an aperture (23) into which a prolongation (24) of the closure unit (6) engages, with the prolongation (24) being so firmly connected, in particular bonded, to the tear-open member (8) that the prolongation (24) is torn off from the closure unit (6) on the upward pivoting of the tear-off member (8).

10 7. A can end in accordance with claim 6, characterized in that the aperture (23) and the prolongation (24) are provided in the region of the pivot bearing of the tear-open member (8).

Fig.1

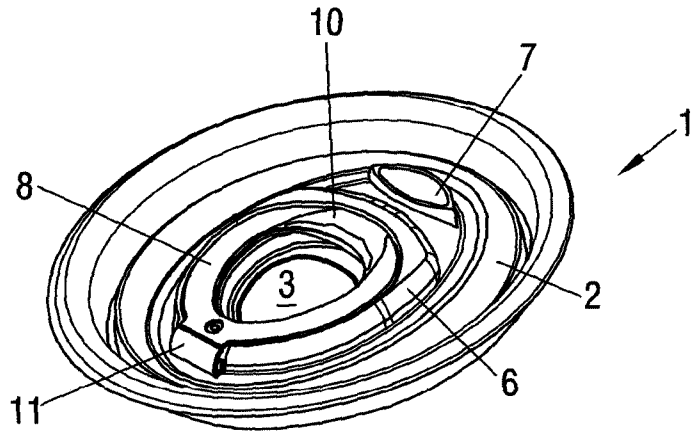


Fig.2

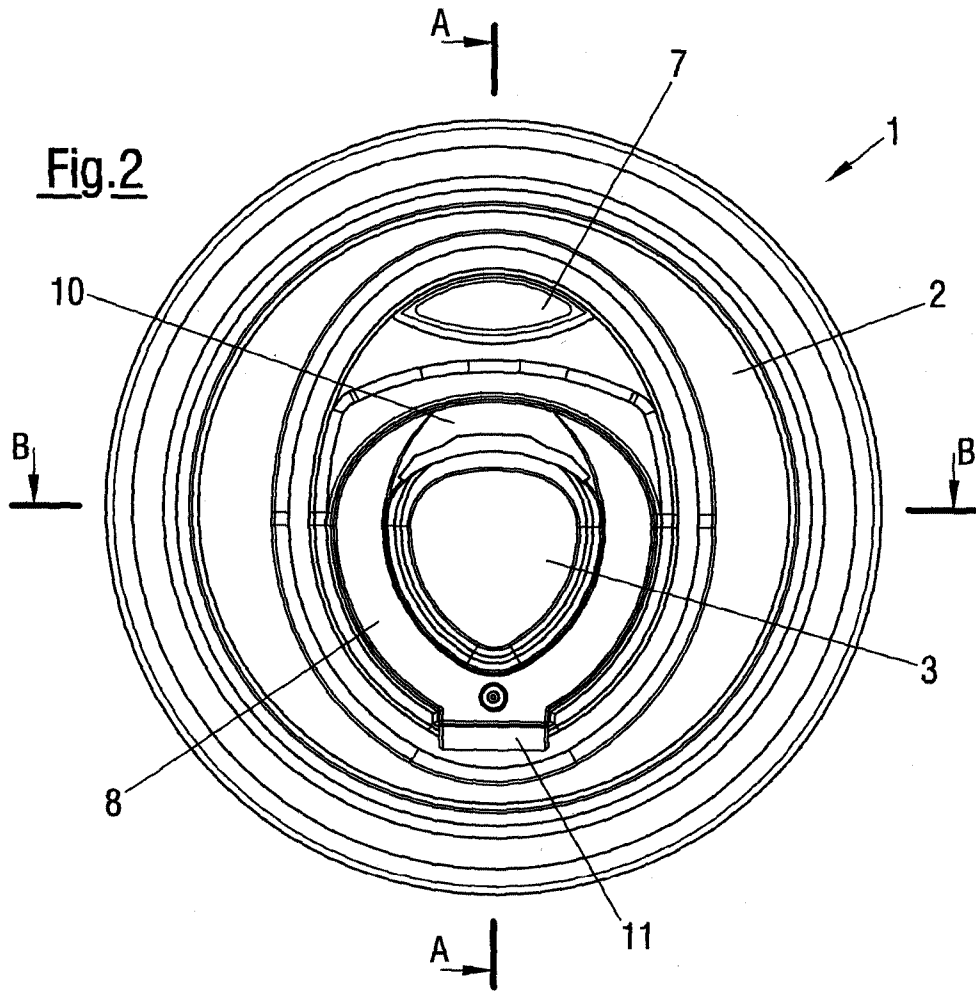


Fig.3

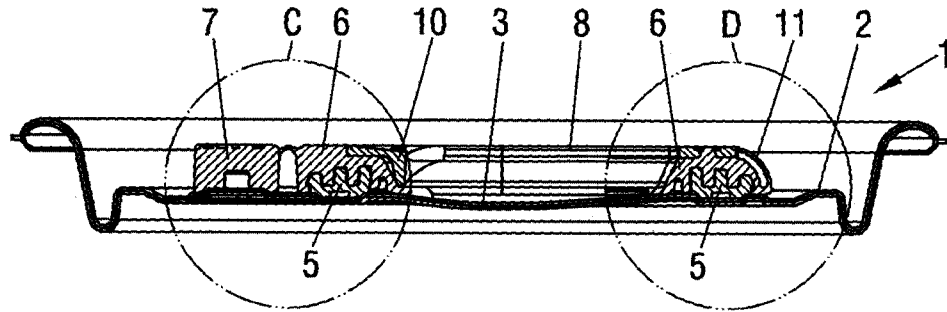


Fig.4

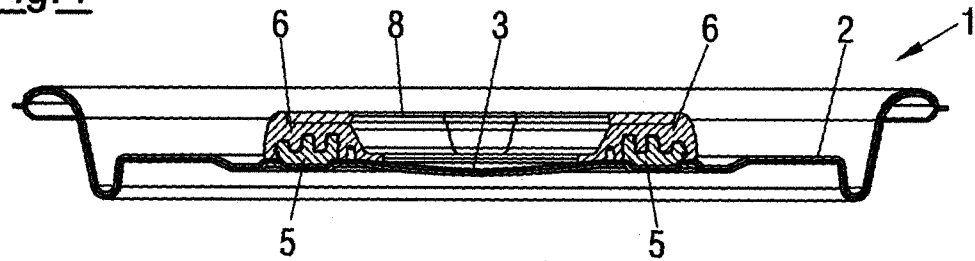


Fig.5

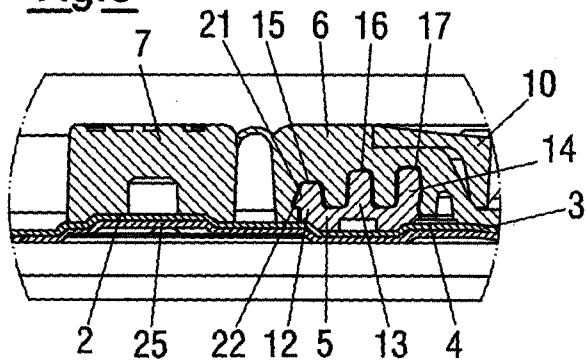


Fig.6

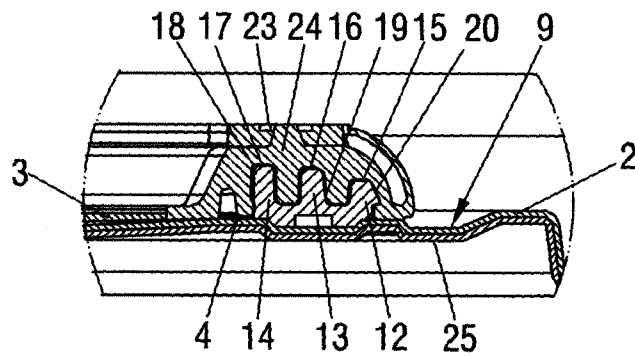


Fig.7

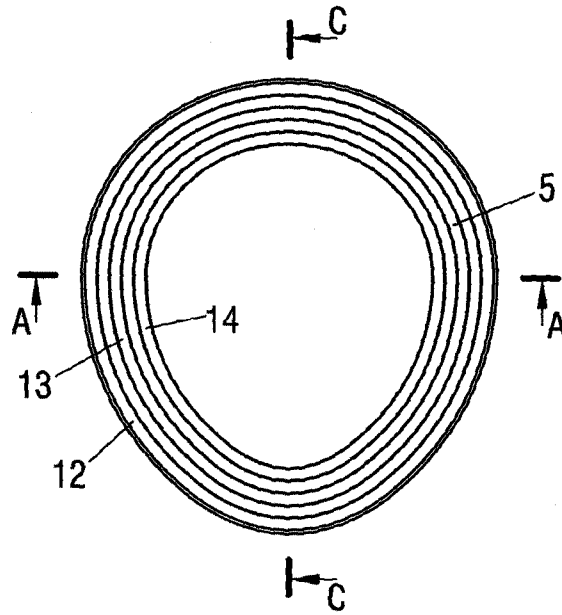


Fig.8

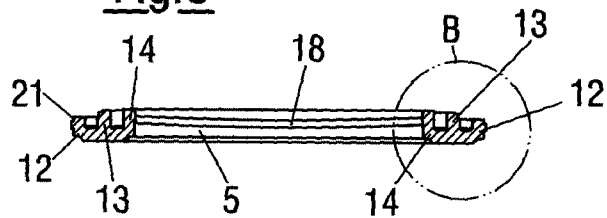


Fig.9

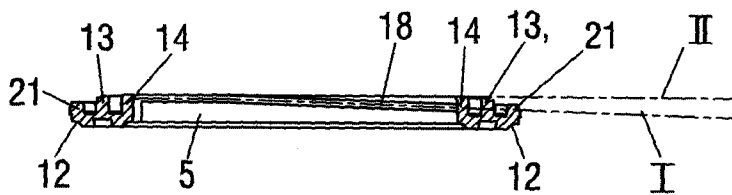


Fig.10

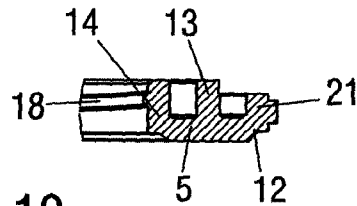


Fig.5

