

(19) World Intellectual Property
Organization
International Bureau



(43) International Publication Date
21 May 2004 (21.05.2004)

PCT

(10) International Publication Number
WO 2004/041085 A3

(51) International Patent Classification⁷: A61B 5/097,
5/083, 10/00, G01N 1/40

(21) International Application Number:
PCT/GB2003/004760

(22) International Filing Date:
5 November 2003 (05.11.2003)

(25) Filing Language: English

(26) Publication Language: English

(30) Priority Data:
0225760.8 5 November 2002 (05.11.2002) GB
0320712.3 4 September 2003 (04.09.2003) GB

(71) Applicant (for all designated States except US): **RAPID
BIOSENSOR SYSTEMS LTD** [GB/GB]; Babraham Hall,
Babraham, Cambridge CB2 4AT (GB).

(72) Inventors; and

(75) Inventors/Applicants (for US only): **MCCASH, Elaine,**

Marie [GB/GB]; 24 Westlands, Comberton, Cambridge
CB3 7EH (GB). **MURRAY, Nicol, John** [GB/GB]; 70
Pennine Avenue, Luton, Bedfordshire LU3 3EH (GB).
CAMILLERI, Dennis [GB/GB]; Chestnut House, 1C
Sheepfold, St Ives, Cambridge PE27 5FY (GB).

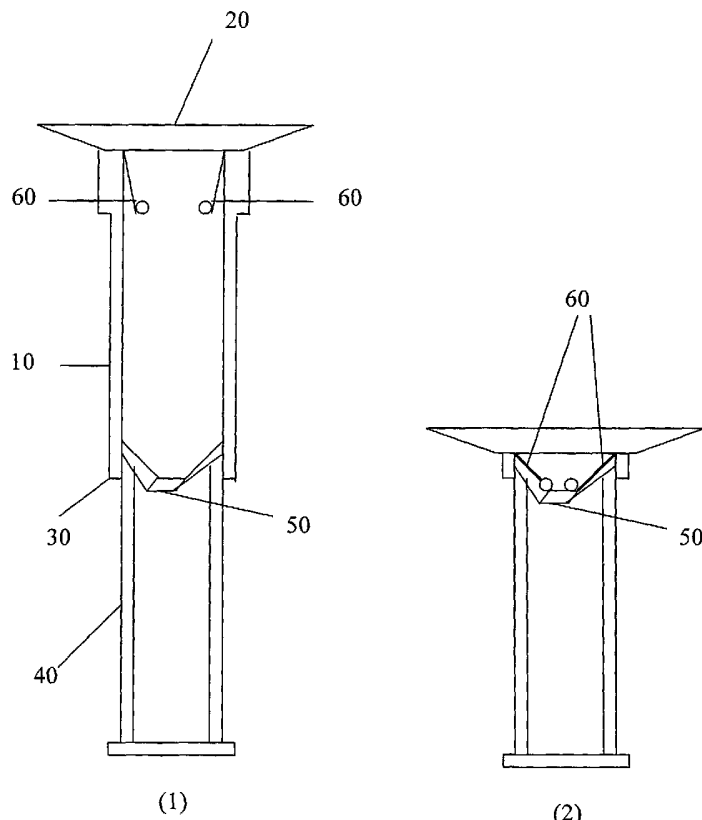
(74) Agent: **I.P.21 LTD**; Norwich Research Park, Colney, Nor-
wich, Norfolk NR4 7UT (GB).

(81) Designated States (national): AE, AG, AL, AM, AT, AU,
AZ, BA, BB, BG, BR, BW, BY, BZ, CA, CH, CN, CO, CR,
CU, CZ, DE, DK, DM, DZ, EC, EE, EG, ES, FI, GB, GD,
GE, GH, GM, HR, HU, ID, IL, IN, IS, JP, KE, KG, KP, KR,
KZ, LC, LK, LR, LS, LT, LU, LV, MA, MD, MG, MK, MN,
MW, MX, MZ, NI, NO, NZ, OM, PG, PH, PL, PT, RO, RU,
SC, SD, SE, SG, SK, SL, SY, TJ, TM, TN, TR, TT, TZ, UA,
UG, US, UZ, VC, VN, YU, ZA, ZM, ZW.

(84) Designated States (regional): ARIPO patent (BW, GH,
GM, KE, LS, MW, MZ, SD, SL, SZ, TZ, UG, ZM, ZW),
Eurasian patent (AM, AZ, BY, KG, KZ, MD, RU, TJ, TM),

[Continued on next page]

(54) Title: SAMPLE COLLECTOR AND ANALYSER



(57) Abstract: There is described a sample collector and analyser for collecting gaseously borne samples. A collector is described using a plunger system or a hemispherical arrangement, each with projections to concentrate the sample towards the sample analysis area. A sample collector with improved tube geometry is presented to collect and distribute the sample across a wide proportion of the sample analysis area and/or across a centrally positioned sample analysis area. A fluid delivery system for adding reagents or similar fluids to the samples collected by any of the collectors is also described. An optical system for the analysis of a sample, in particular but not exclusively to sample collection apparatus for collecting biological samples for analysis using evanescent waves is also described. Particularly, there are described a refractive micro-lens array and/or micro-diffraction grating and/or array of micro-optical components.

WO 2004/041085 A3



European patent (AT, BE, BG, CH, CY, CZ, DE, DK, EE, ES, FI, FR, GB, GR, HU, IE, IT, LU, MC, NL, PT, RO, SE, SI, SK, TR), OAPI patent (BF, BJ, CF, CG, CI, CM, GA, GN, GQ, GW, ML, MR, NE, SN, TD, TG).

LU, MC, NL, PT, RO, SE, SI, SK, TR), OAPI patent (BF, BJ, CF, CG, CI, CM, GA, GN, GQ, GW, ML, MR, NE, SN, TD, TG)

- of inventorship (Rule 4.17(iv)) for US only
- of inventorship (Rule 4.17(iv)) for US only
- of inventorship (Rule 4.17(iv)) for US only

Declarations under Rule 4.17:

- as to applicant's entitlement to apply for and be granted a patent (Rule 4.17(ii)) for the following designations AE, AG, AL, AM, AT, AU, AZ, BA, BB, BG, BR, BW, BY, BZ, CA, CH, CN, CO, CR, CU, CZ, DE, DK, DM, DZ, EC, EE, EG, ES, FI, GB, GD, GE, GH, GM, HR, HU, ID, IL, IN, IS, JP, KE, KG, KP, KR, KZ, LC, LK, LR, LS, LT, LU, LV, MA, MD, MG, MK, MN, MW, MX, MZ, NI, NO, NZ, OM, PG, PH, PL, PT, RO, RU, SC, SD, SE, SG, SK, SL, SY, TJ, TM, TN, TR, TT, TZ, UA, UG, UZ, VC, VN, YU, ZA, ZM, ZW, ARIPO patent (BW, GH, GM, KE, LS, MW, MZ, SD, SL, SZ, TZ, UG, ZM, ZW), Eurasian patent (AM, AZ, BY, KG, KZ, MD, RU, TJ, TM), European patent (AT, BE, BG, CH, CY, CZ, DE, DK, EE, ES, FI, FR, GB, GR, HU, IE, IT,

Published:

- with international search report
- before the expiration of the time limit for amending the claims and to be republished in the event of receipt of amendments

(88) Date of publication of the international search report:

29 July 2004

For two-letter codes and other abbreviations, refer to the "Guidance Notes on Codes and Abbreviations" appearing at the beginning of each regular issue of the PCT Gazette.

INTERNATIONAL SEARCH REPORT

In Application No
PCT/GB 03/04760

A. CLASSIFICATION OF SUBJECT MATTER
 IPC 7 A61B5/097 A61B5/083 A61B10/00 G01N1/40

According to International Patent Classification (IPC) or to both national classification and IPC -

B. FIELDS SEARCHED
 Minimum documentation searched (classification system followed by classification symbols)
 IPC 7 A61B G01N

Documentation searched other than minimum documentation to the extent that such documents are included in the fields searched

Electronic data base consulted during the international search (name of data base and, where practical, search terms used)
 EPO-Internal

C. DOCUMENTS CONSIDERED TO BE RELEVANT

| Category ° | Citation of document, with indication, where appropriate, of the relevant passages | Relevant to claim No. |
|------------|--|-----------------------|
| X | WO 02/084266 A (COLBY EDWARD GRELLIER ; MCCASH ELAINE MARIE (GB); MURRAY NICOL JOHN (G) 24 October 2002 (2002-10-24) cited in the application page 36, line 22 - page 37, line 12; figures 4a-4c page 43, line 30 - page 44, line 27; figure 9 | 4, 12, 13 |
| A | page 8, line 26 - page 27, line 7; figures 1-5 | 1-3, 5, 6 |
| A | US 5 494 646 A (SEYMOUR EUGENE H) 27 February 1996 (1996-02-27) column 6, line 48 - column 7, line 60 -/-- | 1, 2 |

Further documents are listed in the continuation of box C. Patent family members are listed in annex.

° Special categories of cited documents :

| | |
|--|--|
| <p>"A" document defining the general state of the art which is not considered to be of particular relevance</p> <p>"E" earlier document but published on or after the international filing date</p> <p>"L" document which may throw doubts on priority claim(s) or which is cited to establish the publication date of another citation or other special reason (as specified)</p> <p>"O" document referring to an oral disclosure, use, exhibition or other means</p> <p>"P" document published prior to the international filing date but later than the priority date claimed</p> | <p>"T" later document published after the international filing date or priority date and not in conflict with the application but cited to understand the principle or theory underlying the invention</p> <p>"X" document of particular relevance; the claimed invention cannot be considered novel or cannot be considered to involve an inventive step when the document is taken alone</p> <p>"Y" document of particular relevance; the claimed invention cannot be considered to involve an inventive step when the document is combined with one or more other such documents, such combination being obvious to a person skilled in the art.</p> <p>"&" document member of the same patent family</p> |
|--|--|

| | |
|---|---|
| Date of the actual completion of the international search 19 May 2004 | Date of mailing of the international search report 01. 06. 2004 |
|---|---|

| | |
|--|---|
| Name and mailing address of the ISA European Patent Office, P.B. 5818 Patentlaan 2 NL - 2280 HV Rijswijk Tel. (+31-70) 340-2040, Tx. 31 651 epo nl, Fax: (+31-70) 340-3016 | Authorized officer Rivera Pons, C |
|--|---|

INTERNATIONAL SEARCH REPORT

 International Application No
 PCT/GB 03/04760

| C.(Continuation) DOCUMENTS CONSIDERED TO BE RELEVANT | | |
|--|--|-----------------------|
| Category ° | Citation of document, with indication, where appropriate, of the relevant passages | Relevant to claim No. |
| A | EP 0 520 408 A (SALIVA DIAGNOSTIC SYSTEMS INC) 30 December 1992 (1992-12-30) column 7, line 38 - column 9, line 53 column 14, lines 4-58; figures 1-24 | 1,2,12, 13 |
| A | US 5 573 009 A (THIEME THOMAS ET AL) 12 November 1996 (1996-11-12) column 2, line 1 - column 6, line 18 | 1,2 |
| X | WO 02/082990 A (RIO GRANDE MEDICAL TECHNOLOGIE) 24 October 2002 (2002-10-24) page 15, line 27 - page 21, line 21 claim 1 figure 1 | 7,9-11 |
| A | US 5 450 193 A (CARLSEN WILLIAM F ET AL) 12 September 1995 (1995-09-12) the whole document | 7-11 |
| A | US 5 658 531 A (COPE GRAHAM FRANCIS ET AL) 19 August 1997 (1997-08-19) column 3, lines 11-41 | 12,13 |
| A | US 4 788 985 A (MANNING PATRICK R ET AL) 6 December 1988 (1988-12-06) the whole document | 12,13 |
| A | US 6 277 646 B1 (PRATT MICHAEL R ET AL) 21 August 2001 (2001-08-21) abstract column 4, line 24 - column 9, line 66 | 12,13 |

INTERNATIONAL SEARCH REPORT

ational application No.
PCT/GB 03/04760

Box I Observations where certain claims were found unsearchable (Continuation of item 1 of first sheet)

This International Search Report has not been established in respect of certain claims under Article 17(2)(a) for the following reasons:

1. Claims Nos.:
because they relate to subject matter not required to be searched by this Authority, namely:

2. Claims Nos.:
because they relate to parts of the International Application that do not comply with the prescribed requirements to such an extent that no meaningful International Search can be carried out, specifically:

3. Claims Nos.:
because they are dependent claims and are not drafted in accordance with the second and third sentences of Rule 6.4(a).

Box II Observations where unity of invention is lacking (Continuation of item 2 of first sheet)

This International Searching Authority found multiple inventions in this international application, as follows:

see additional sheet

1. As all required additional search fees were timely paid by the applicant, this International Search Report covers all searchable claims.

2. As all searchable claims could be searched without effort justifying an additional fee, this Authority did not invite payment of any additional fee.

3. As only some of the required additional search fees were timely paid by the applicant, this International Search Report covers only those claims for which fees were paid, specifically claims Nos.:

4. No required additional search fees were timely paid by the applicant. Consequently, this International Search Report is restricted to the invention first mentioned in the claims; it is covered by claims Nos.:

Remark on Protest

- The additional search fees were accompanied by the applicant's protest.
- No protest accompanied the payment of additional search fees.

FURTHER INFORMATION CONTINUED FROM PCT/ISA/ 210

This International Searching Authority found multiple (groups of) inventions in this international application, as follows:

1. claims: 1-6

A sample collector and analyser, comprising a container and tools for concentrating the sample inside the container by movement along or around an axle.

2. claims: 7-11

A sample collector and analyser comprising a sufficiently transparent optical plate for receiving the sample.

3. claims: 12, 13

A container comprising, a fluid chamber incorporating a perforatable membrane

INTERNATIONAL SEARCH REPORT

International Application No

PCT/GB 03/04760

| Patent document cited in search report | | Publication date | Patent family member(s) | Publication date |
|--|------------|------------------|-------------------------|------------------|
| WO 02084266 | A | 24-10-2002 | GB 2381580 A | 07-05-2003 |
| | | | CA 2442359 A1 | 24-10-2002 |
| | | | EP 1377815 A2 | 07-01-2004 |
| | | | WO 02084266 A2 | 24-10-2002 |
| US 5494646 | A | 27-02-1996 | US 5376337 A | 27-12-1994 |
| | | | US 5380492 A | 10-01-1995 |
| | | | AU 7366594 A | 20-02-1995 |
| | | | WO 9502996 A1 | 02-02-1995 |
| EP 0520408 | A | 30-12-1992 | BE 1005090 A5 | 13-04-1993 |
| | | | BE 1006232 A3 | 14-06-1994 |
| | | | CA 2072331 A1 | 26-12-1992 |
| | | | EG 19721 A | 30-08-1995 |
| | | | EP 0520408 A2 | 30-12-1992 |
| | | | FR 2678378 A1 | 31-12-1992 |
| | | | FR 2687473 A1 | 20-08-1993 |
| | | | IE 922055 A1 | 30-12-1992 |
| | | | JP 5187976 A | 27-07-1993 |
| | | | MX 9203224 A1 | 01-07-1993 |
| | | | SK 192592 A3 | 12-04-1995 |
| | | | US 5380492 A | 10-01-1995 |
| | | | US 5376337 A | 27-12-1994 |
| | | | US 5283038 A | 01-02-1994 |
| | | | US 5260031 A | 09-11-1993 |
| | | | US 5268148 A | 07-12-1993 |
| US 5393496 A | 28-02-1995 | | | |
| US 5573009 | A | 12-11-1996 | AU 635997 B2 | 08-04-1993 |
| | | | US 5479937 A | 02-01-1996 |
| | | | US 5339829 A | 23-08-1994 |
| | | | US 5103836 A | 14-04-1992 |
| | | | US 5022409 A | 11-06-1991 |
| | | | AT 118095 T | 15-02-1995 |
| | | | AT 127229 T | 15-09-1995 |
| | | | AU 6996391 A | 30-07-1992 |
| | | | AU 653930 B2 | 20-10-1994 |
| | | | AU 7460991 A | 18-09-1991 |
| | | | CA 2023636 A1 | 22-03-1991 |
| | | | CA 2076754 A1 | 29-08-1991 |
| | | | DE 69016544 D1 | 16-03-1995 |
| | | | DE 69016544 T2 | 08-06-1995 |
| | | | DE 69112610 D1 | 05-10-1995 |
| | | | DE 69112610 T2 | 08-02-1996 |
| | | | EP 0418739 A1 | 27-03-1991 |
| | | | EP 0516746 A1 | 09-12-1992 |
| | | | ES 2070227 T3 | 01-06-1995 |
| | | | ES 2080944 T3 | 16-02-1996 |
| | | | GR 3018234 T3 | 29-02-1996 |
| | | | JP 3143435 A | 19-06-1991 |
| | | | JP 2535116 B2 | 18-09-1996 |
| | | | US 5335673 A | 09-08-1994 |
| | | | WO 9113355 A2 | 05-09-1991 |
| | | | US 5234001 A | 10-08-1993 |
| | | | AT 175333 T | 15-01-1999 |
| | | | AU 672823 B2 | 17-10-1996 |
| AU 5008493 A | 15-03-1994 | | | |
| BR 9306979 A | 12-01-1999 | | | |

INTERNATIONAL SEARCH REPORT

International Application No

PCT/GB 03/04760

| Patent document cited in search report | | Publication date | Patent family member(s) | Publication date |
|--|----|------------------|-------------------------|------------------|
| US 5573009 | A | | CA 2142600 A1 | 03-03-1994 |
| | | | DE 69322969 D1 | 18-02-1999 |
| | | | EP 0656763 A1 | 14-06-1995 |
| | | | FI 950767 A | 12-04-1995 |
| | | | HU 72565 A2 | 28-05-1996 |
| | | | JP 8502670 T | 26-03-1996 |
| | | | NO 950681 A | 23-02-1995 |
| | | | WO 9404078 A1 | 03-03-1994 |
| | | | US 2002015663 A1 | 07-02-2002 |
| | | | US 5830410 A | 03-11-1998 |
| | | | CN 1084045 A | 23-03-1994 |
| | | | MX 9305156 A1 | 31-05-1994 |
| | | | BR 9106070 A | 02-02-1993 |
| | | | DK 516746 T3 | 18-09-1995 |
| | | | FI 923839 A | 27-08-1992 |
| | | | HU 63253 A2 | 28-07-1993 |
| | | | IE 910677 A1 | 11-09-1991 |
| | | | JP 5506925 T | 07-10-1993 |
| | | | KR 168688 B1 | 01-05-1999 |
| | | | NO 923360 A | 21-10-1992 |
| WO 02082990 | A | 24-10-2002 | US 2003023152 A1 | 30-01-2003 |
| | | | CA 2445868 A1 | 24-10-2002 |
| | | | EP 1379166 A1 | 14-01-2004 |
| | | | WO 02082990 A1 | 24-10-2002 |
| US 5450193 | A | 12-09-1995 | DE 69219580 D1 | 12-06-1997 |
| | | | DE 69219580 T2 | 11-09-1997 |
| | | | EP 0557658 A1 | 01-09-1993 |
| | | | JP 6242002 A | 02-09-1994 |
| US 5658531 | A | 19-08-1997 | AU 665376 B2 | 04-01-1996 |
| | | | AU 2801292 A | 07-06-1993 |
| | | | CA 2122597 A1 | 13-05-1993 |
| | | | DE 69219612 D1 | 12-06-1997 |
| | | | DE 69219612 T2 | 02-10-1997 |
| | | | DK 610325 T3 | 27-10-1997 |
| | | | EP 0610325 A1 | 17-08-1994 |
| | | | ES 2106198 T3 | 01-11-1997 |
| | | | WO 9309431 A1 | 13-05-1993 |
| US 4788985 | A | 06-12-1988 | US 4465078 A | 14-08-1984 |
| | | | AU 1915483 A | 05-04-1984 |
| | | | DK 446783 A | 31-03-1984 |
| | | | IE 55968 B1 | 13-03-1991 |
| | | | JP 59082835 A | 14-05-1984 |
| US 6277646 | B1 | 21-08-2001 | AU 6439198 A | 22-09-1998 |
| | | | CA 2286910 A1 | 11-09-1998 |
| | | | EP 1011452 A1 | 28-06-2000 |
| | | | JP 2001513897 T | 04-09-2001 |
| | | | NO 994315 A | 03-11-1999 |
| | | | WO 9838917 A1 | 11-09-1998 |