



US0D1069437S

(12) **United States Design Patent**  
**Feng**

(10) **Patent No.:** **US D1,069,437 S**

(45) **Date of Patent:** **\*\* Apr. 8, 2025**

(54) **CHAIR**

(71) Applicant: **Hangzhou Heibaidiao Technology Co., Ltd**, Zhejiang (CN)

(72) Inventor: **Xiaowei Feng**, Hebei (CN)

(\*\*) Term: **15 Years**

(21) Appl. No.: **29/853,411**

(22) Filed: **Sep. 15, 2022**

(51) **LOC (15) Cl.** ..... **06-01**

(52) **U.S. Cl.**  
USPC ..... **D6/366**

(58) **Field of Classification Search**  
USPC ..... D6/349, 366, 380, 716, 716.4, 360, 367, D6/334, 368, 716.1  
CPC ..... Y10S 297/03; A47G 9/10; A47C 7/405; A47C 7/448; A47C 7/383; A47C 7/443; A47C 7/42; A47C 7/46; A47C 7/425; A47C 7/467  
See application file for complete search history.

(56) **References Cited**

**U.S. PATENT DOCUMENTS**

D552,857 S *	10/2007	Wang	.....	D6/366
D927,907 S *	8/2021	Chen	.....	D6/716.4
D985,954 S *	5/2023	Feng	.....	D6/366
D988,739 S *	6/2023	Feng	.....	D6/366
D990,909 S *	7/2023	Feng	.....	D6/366
D996,876 S *	8/2023	Yang	.....	D6/366

**OTHER PUBLICATIONS**

“Hbada P5 Ergonomic Office Chair . . . .” Feb. 21, 2023, amazon.com, site visited Nov. 29, 2024 <<https://www.amazon.com/Hbada-Ergonomic-Adjustable-Comfortable-Computer/dp/B0BWDQX8RH?th=1>> (Year: 2023).\*

\* cited by examiner

*Primary Examiner* — Paul D Bohannon

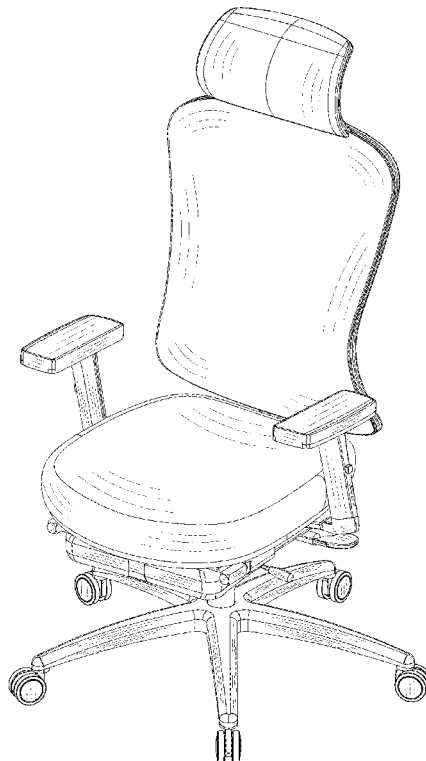
(57) **CLAIM**

The ornamental design for a chair, as shown and described.

**DESCRIPTION**

FIG. 1 is a front perspective view of a chair showing my new design.  
FIG. 2 is a front view of a chair.  
FIG. 3 is a rear view of a chair.  
FIG. 4 is a left side view of a chair.  
FIG. 5 is a right side view of a chair.  
FIG. 6 is a top view of a chair.  
FIG. 7 is a bottom view of a chair.  
FIG. 8 is a rear perspective view of a chair.  
FIG. 9 is an enlarged view of a chair taken from the circle part in FIG. 3.  
FIG. 10 is an enlarged view of a chair taken from the circle part in FIG. 4; and,  
FIG. 11 is an enlarged view of a chair taken from the circle part in FIG. 5.  
The broken lines in the drawings depict portions of the chair that form no part of the claimed design.

**1 Claim, 11 Drawing Sheets**



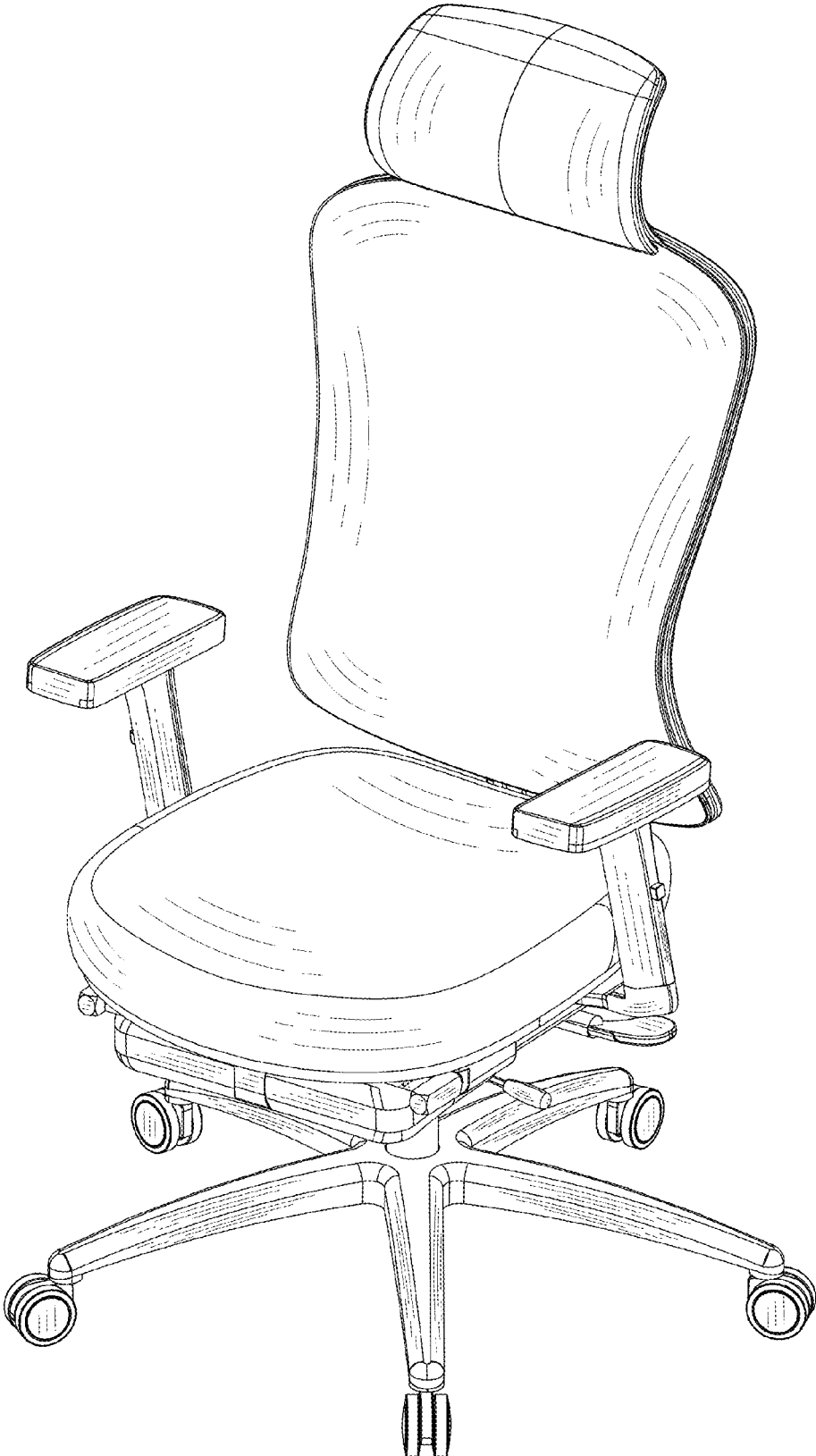


FIG. 1

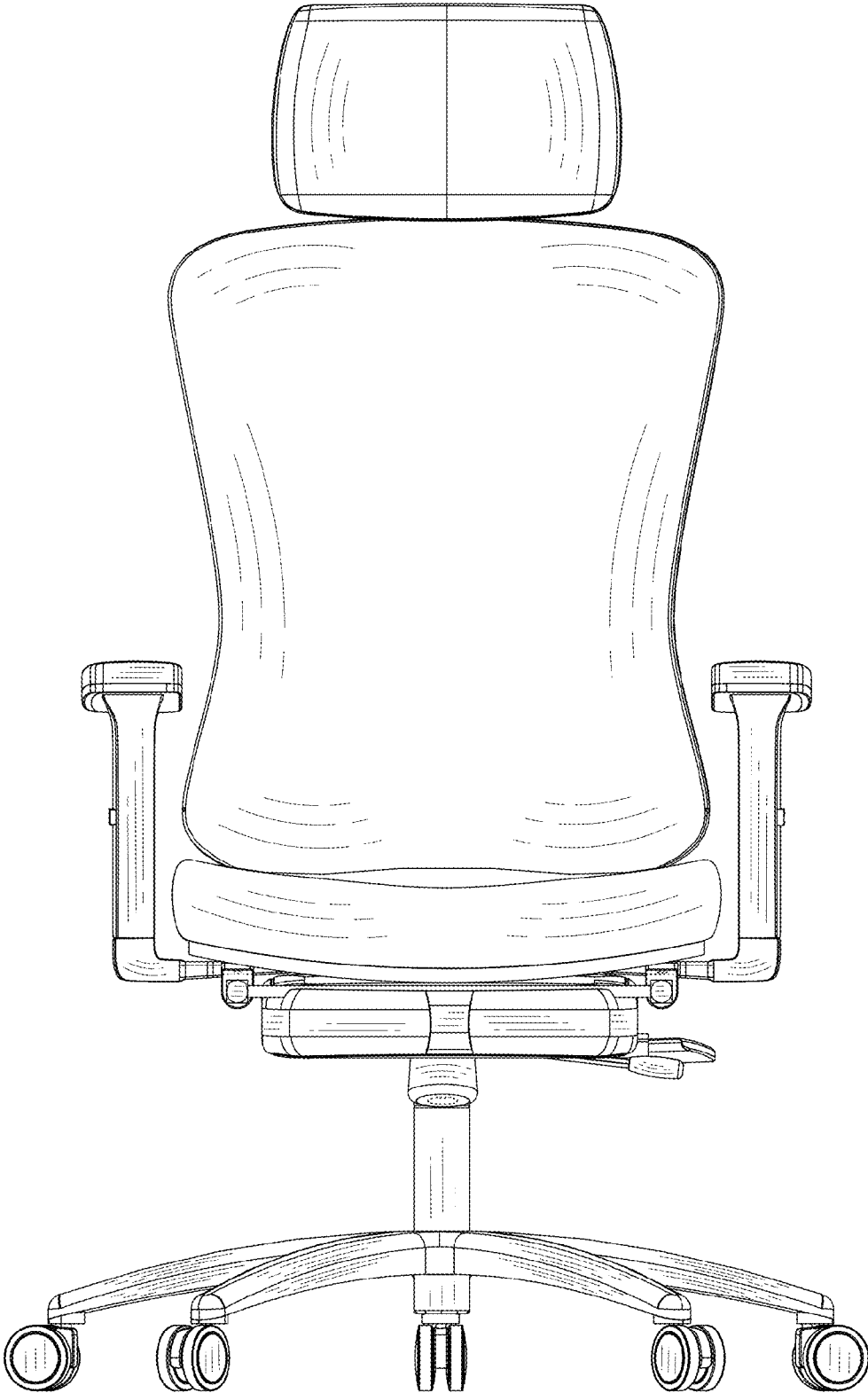


FIG. 2

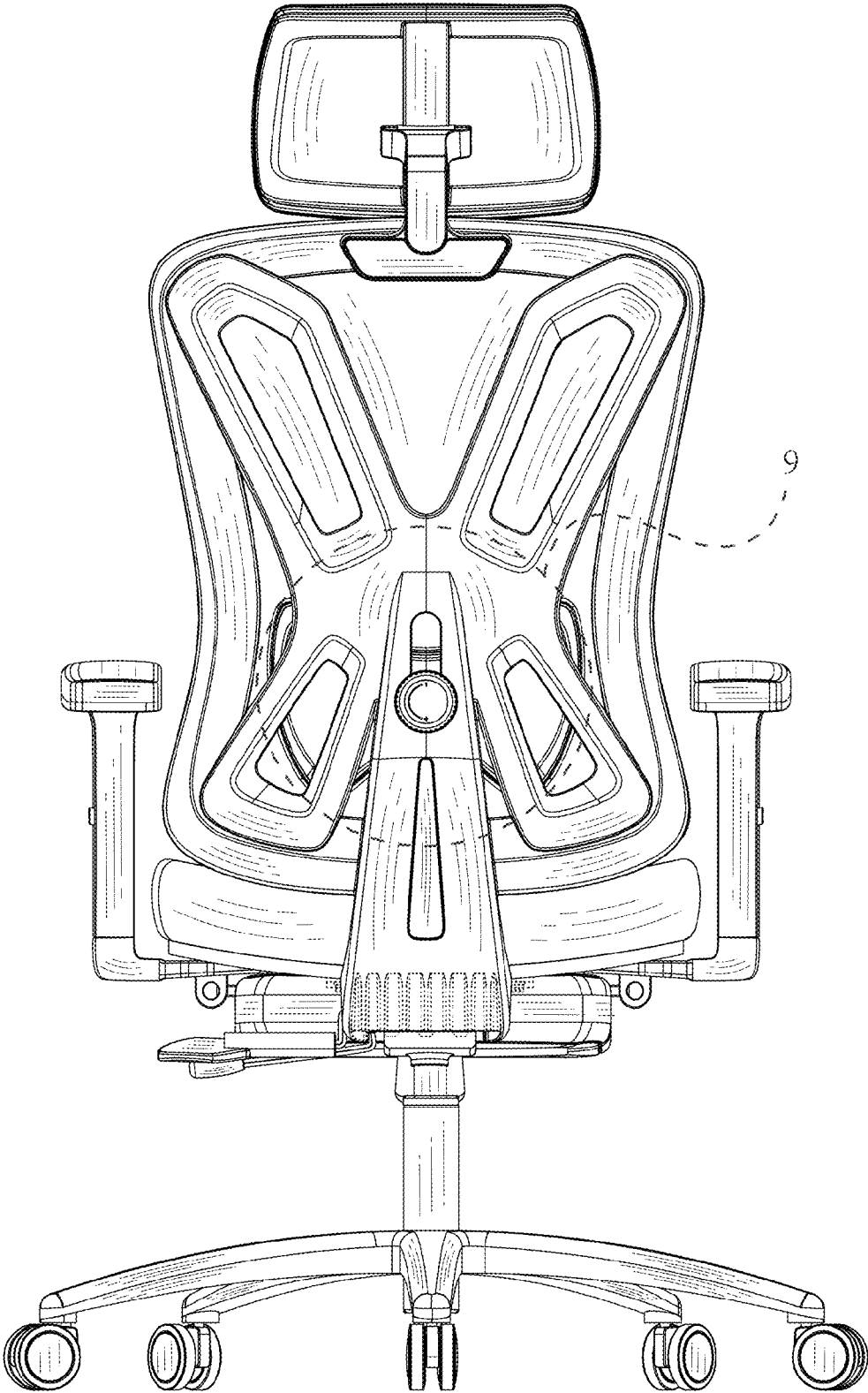


FIG. 3

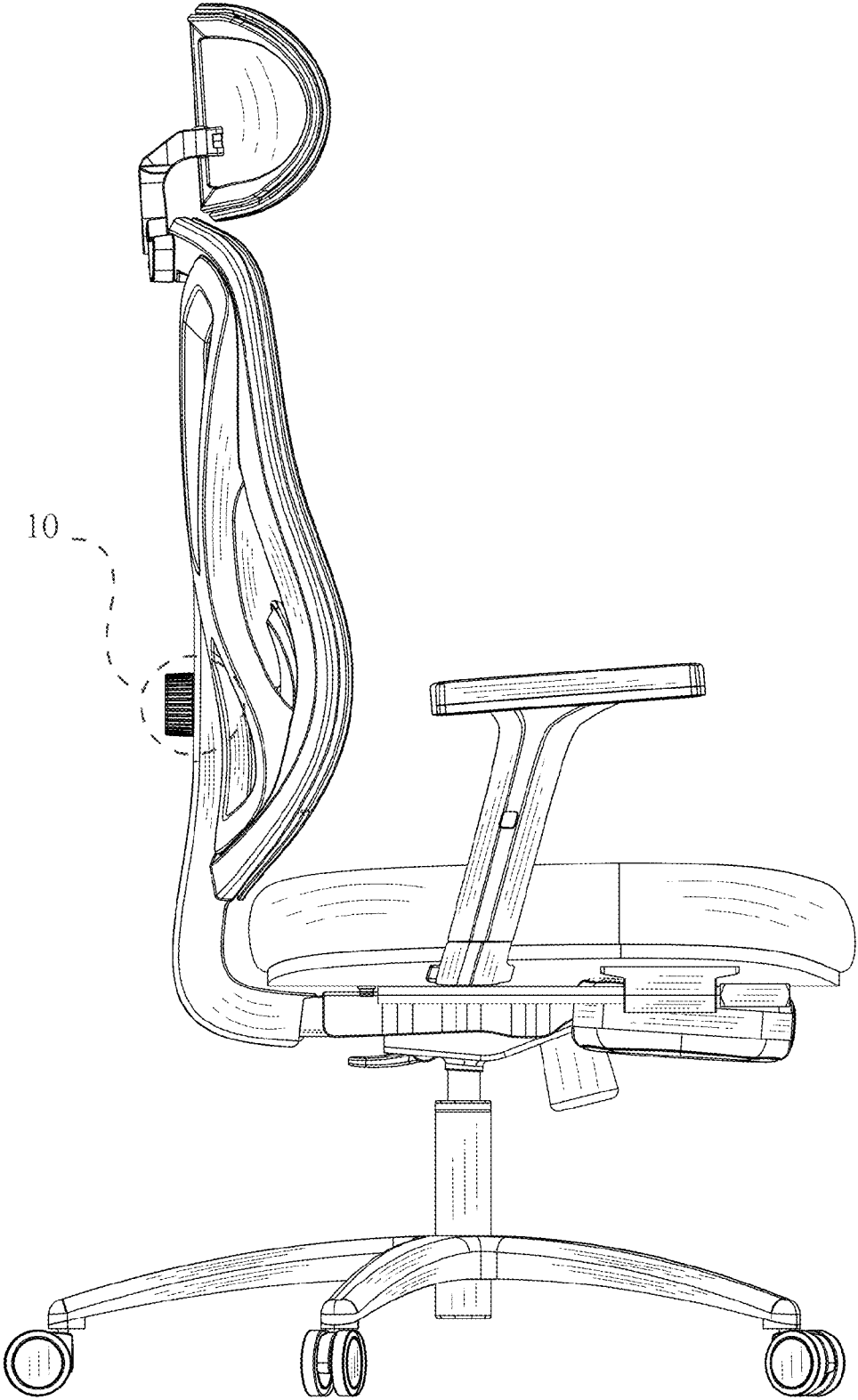


FIG. 4

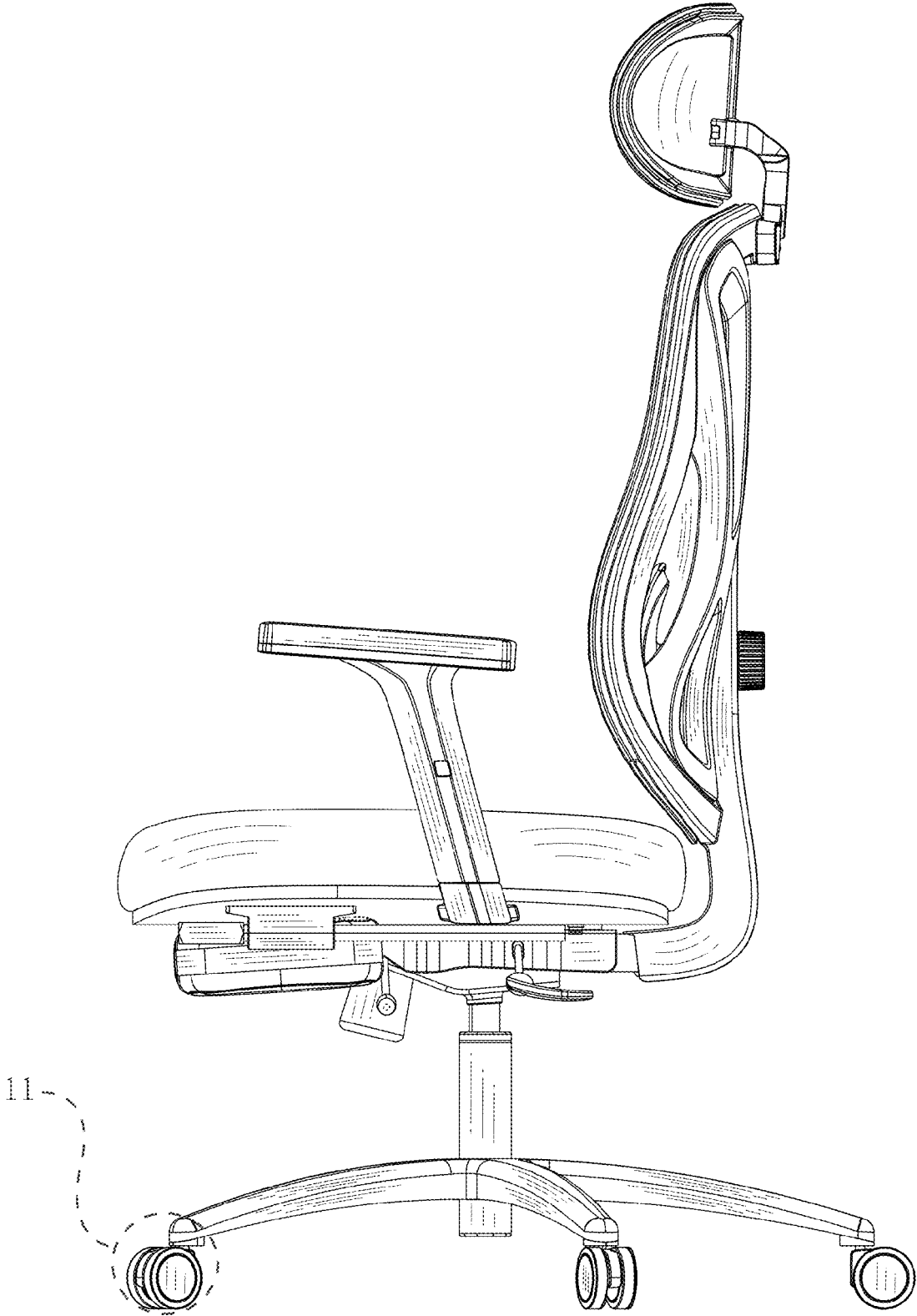


FIG. 5

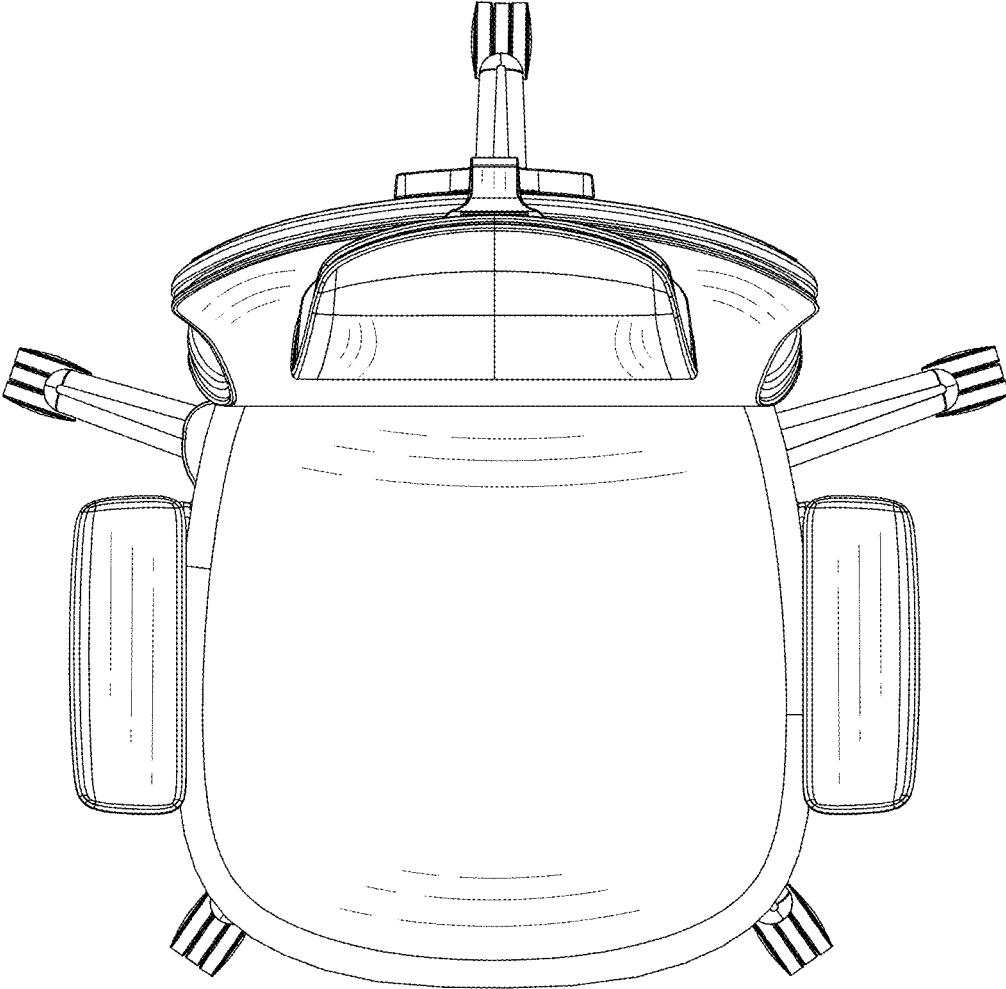


FIG. 6

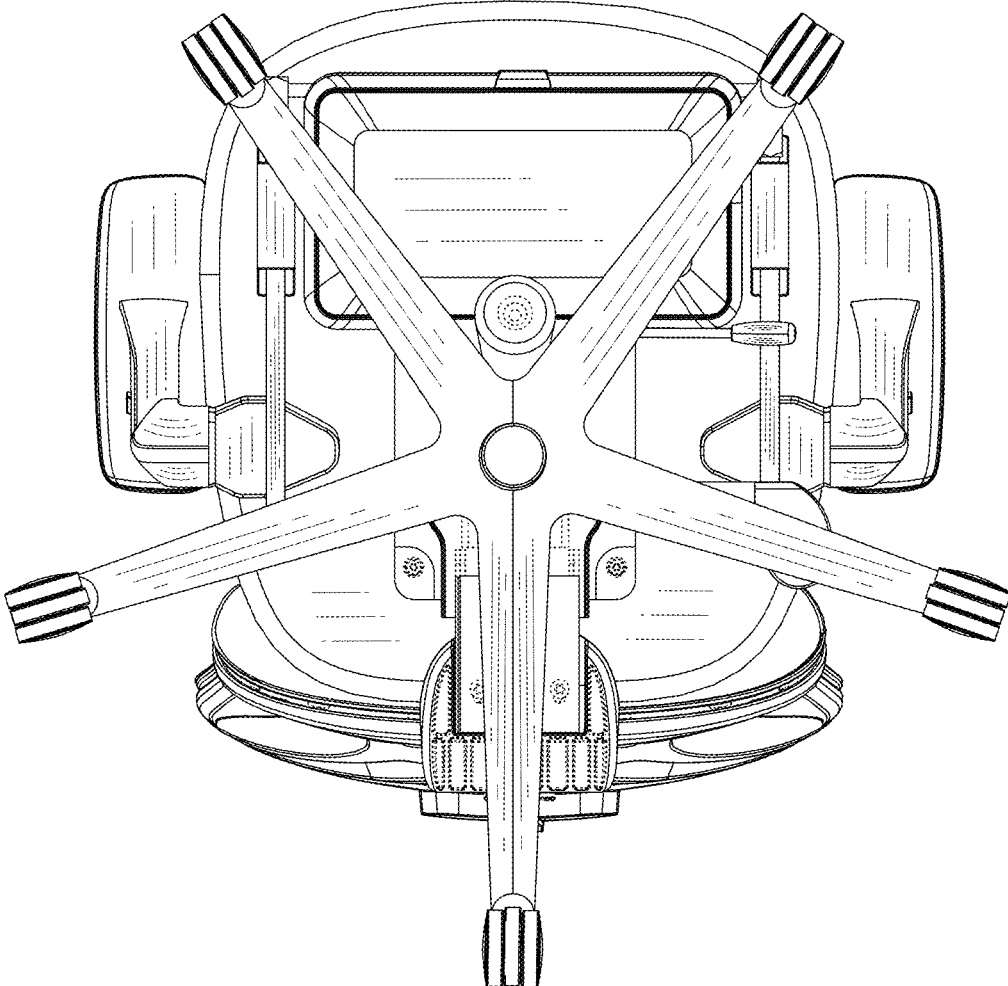


FIG. 7

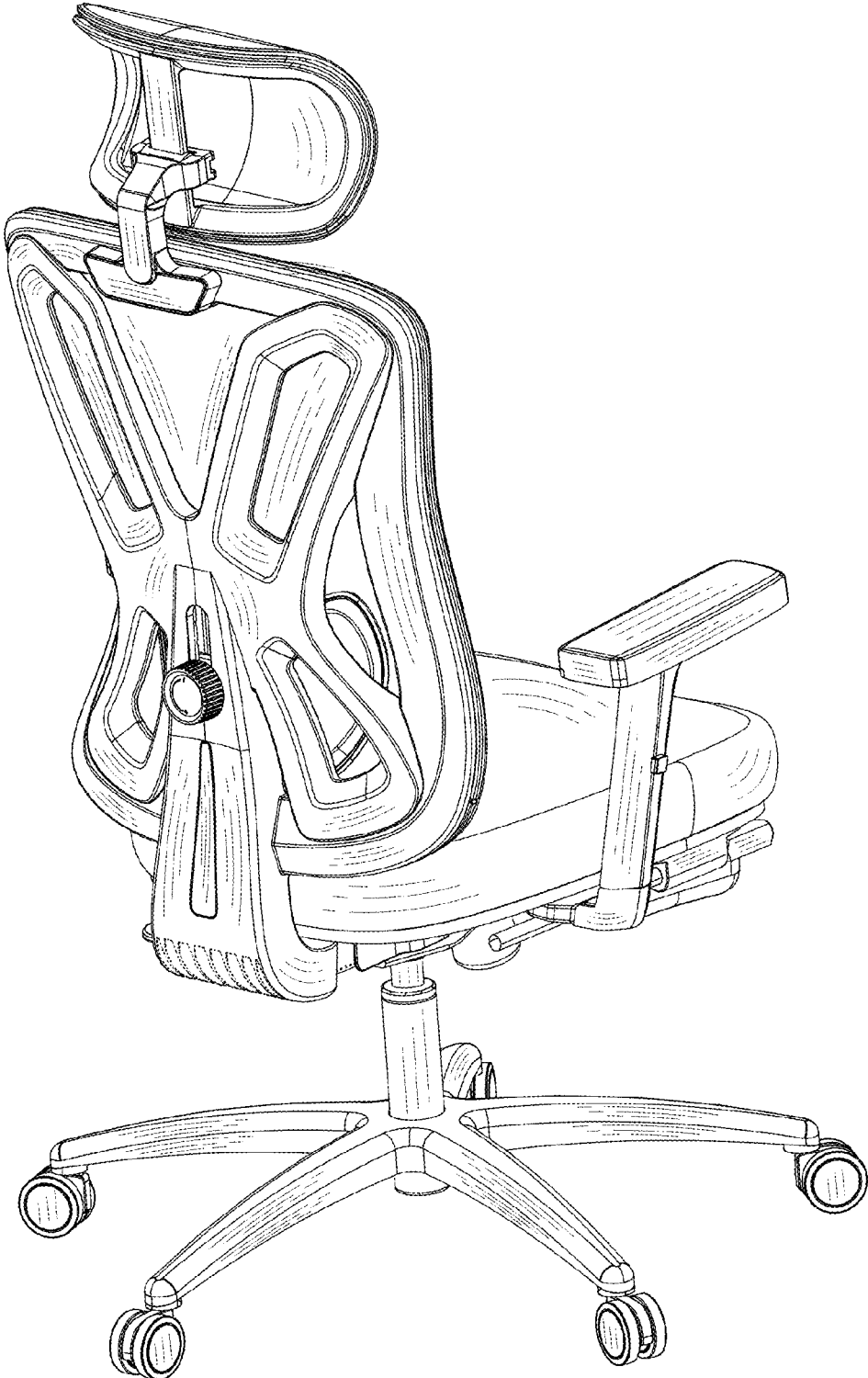


FIG. 8

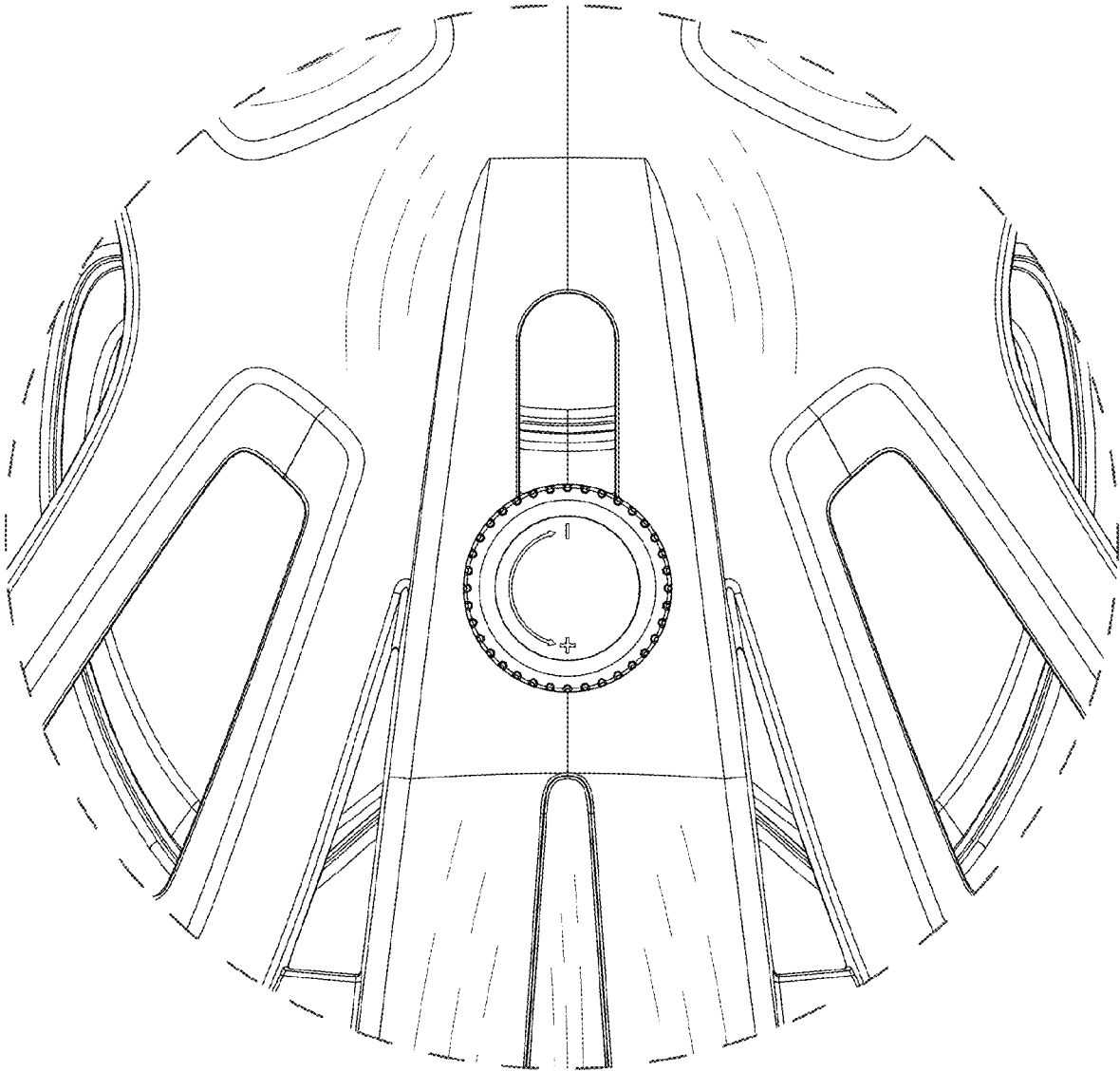


FIG. 9

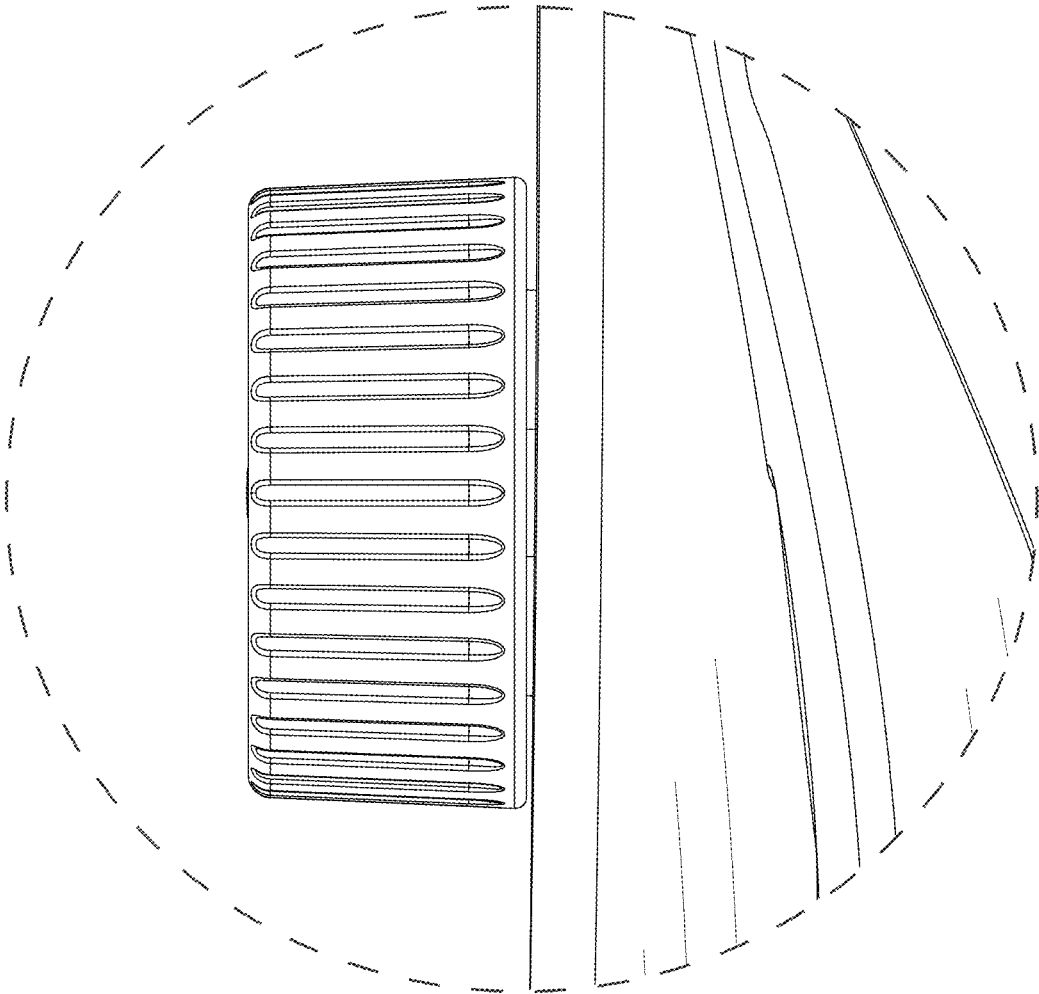


FIG. 10

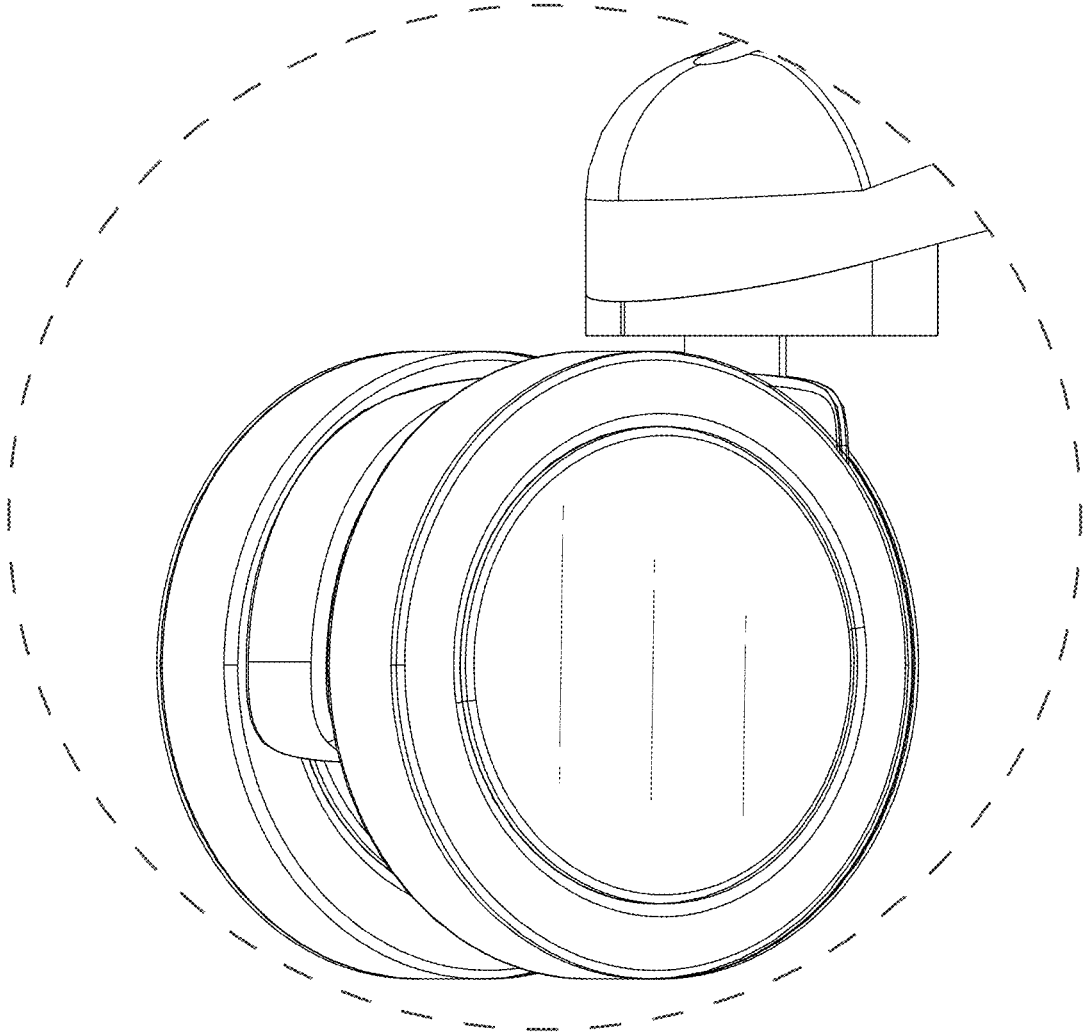


FIG. 11