

(19) World Intellectual Property
Organization
International Bureau



(43) International Publication Date
22 April 2004 (22.04.2004)

PCT

(10) International Publication Number
WO 2004/033199 A3

(51) International Patent Classification⁷: B29C 70/10,
C08K 7/02, B32B 27/18

(21) International Application Number:
PCT/US2003/032326

(22) International Filing Date: 10 October 2003 (10.10.2003)

(25) Filing Language: English

(26) Publication Language: English

(30) Priority Data:
10/269,051 10 October 2002 (10.10.2002) US

(71) Applicant: AMERICHEM, INC. [US/US]; 225 Broad-
way East, Cuyahoga Falls, OH 44221-3303 (US).

(72) Inventor: NESBITT, Jeffrey, E.; 205 Wickshire Circle,
Lititz, PA 17543 (US).

(74) Agent: ANASTASI, Salvatore; Barley Snyder, 5 West-
lakes, Suite 275, 1000 Westlakes, Berwyn, PA 19312 (US).

(81) Designated States (national): AE, AG, AL, AM, AT, AU,
AZ, BA, BB, BG, BR, BY, BZ, CA, CH, CN, CO, CR, CU,

CZ, DE, DK, DM, DZ, EC, EE, ES, FI, GB, GD, GE, GH,
GM, HR, HU, ID, IL, IN, IS, JP, KE, KG, KP, KR, KZ, LC,
LK, LR, LS, LT, LU, LV, MA, MD, MG, MK, MN, MW,
MX, MZ, NI, NO, NZ, OM, PG, PH, PL, PT, RO, RU, SC,
SD, SE, SG, SK, SL, SY, TJ, TM, TN, TR, TT, TZ, UA,
UG, UZ, VC, VN, YU, ZA, ZM, ZW.

(84) Designated States (regional): ARIPO patent (GH, GM,
KE, LS, MW, MZ, SD, SL, SZ, TZ, UG, ZM, ZW),
Eurasian patent (AM, AZ, BY, KG, KZ, MD, RU, TJ, TM),
European patent (AT, BE, BG, CH, CY, CZ, DE, DK, EE,
ES, FI, FR, GB, GR, HU, IE, IT, LU, MC, NL, PT, RO,
SE, SI, SK, TR), OAPI patent (BF, BJ, CF, CG, CI, CM,
GA, GN, GQ, GW, ML, MR, NE, SN, TD, TG).

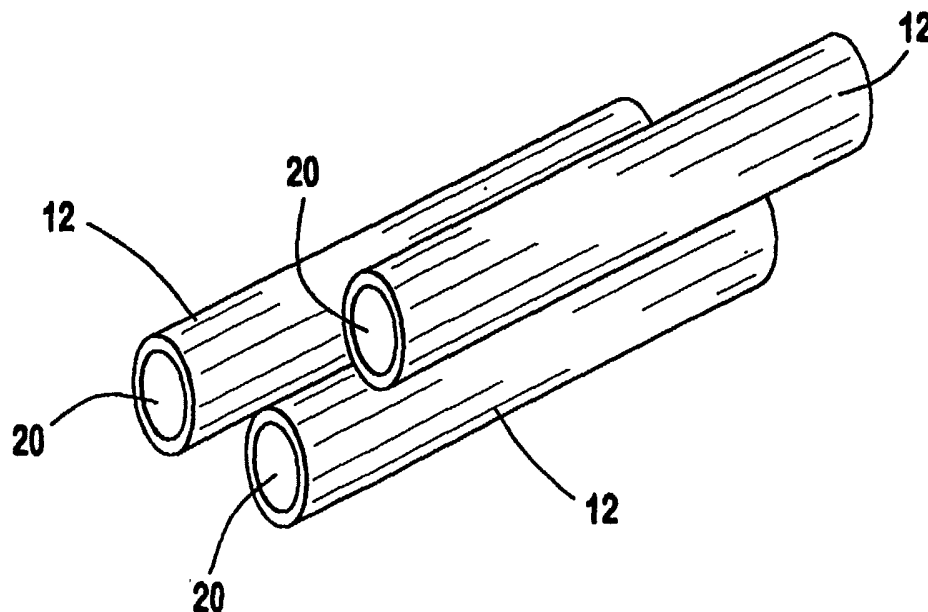
Published:

- with international search report
- before the expiration of the time limit for amending the claims and to be republished in the event of receipt of amendments

(88) Date of publication of the international search report:
10 June 2004

For two-letter codes and other abbreviations, refer to the "Guidance Notes on Codes and Abbreviations" appearing at the beginning of each regular issue of the PCT Gazette.

(54) Title: BENEFICIATED FIBER, COMPOSITE AND METHOD FOR ITS MANUFACTURE



(57) Abstract: A beneficiated fiber (12) and composite including a fiber having a lumen with voids (20). A suspension including a bonding agent, chemical blowing agent, and catalyst is drawn into the lumen by a capillary action to beneficiated the fiber. The beneficiated fiber may be imbedded with a polymeric material to form the composite. The natural voids of the lumen are preserved by the suspension causing the fiber to maintain natural density and strength characteristics.

WO 2004/033199 A3

INTERNATIONAL SEARCH REPORT

International Application No
PCT/US 03/32326

A. CLASSIFICATION OF SUBJECT MATTER
IPC 7 B29C70/10 C08K7/02 B32B27/18

According to International Patent Classification (IPC) or to both national classification and IPC

B. FIELDS SEARCHED
Minimum documentation searched (classification system followed by classification symbols)
IPC 7 B29C C08K B32B

Documentation searched other than minimum documentation to the extent that such documents are included in the fields searched

Electronic data base consulted during the international search (name of data base and, where practical, search terms used)
EPO-Internal, WPI Data, PAJ

C. DOCUMENTS CONSIDERED TO BE RELEVANT

Category °	Citation of document, with indication, where appropriate, of the relevant passages	Relevant to claim No.
X	US 5 494 748 A (SPEHNER JEAN L) 27 February 1996 (1996-02-27) column 2, line 9 - line 15 column 3, line 55 -column 4, line 30; claim 5; example 7 --- -/--	1,6-9, 11-33, 35,36, 42-55, 57,60, 64,65, 68,69, 71, 78-89, 91,92, 95,98

Further documents are listed in the continuation of box C. Patent family members are listed in annex.

° Special categories of cited documents :

A document defining the general state of the art which is not considered to be of particular relevance	*T* later document published after the international filing date or priority date and not in conflict with the application but cited to understand the principle or theory underlying the invention
E earlier document but published on or after the international filing date	*X* document of particular relevance; the claimed invention cannot be considered novel or cannot be considered to involve an inventive step when the document is taken alone
L document which may throw doubts on priority claim(s) or which is cited to establish the publication date of another citation or other special reason (as specified)	*Y* document of particular relevance; the claimed invention cannot be considered to involve an inventive step when the document is combined with one or more other such documents, such combination being obvious to a person skilled in the art.
O document referring to an oral disclosure, use, exhibition or other means	*&* document member of the same patent family
P document published prior to the international filing date but later than the priority date claimed	

Date of the actual completion of the international search 1 April 2004	Date of mailing of the international search report 08/04/2004
---	--

Name and mailing address of the ISA European Patent Office, P.B. 5818 Patentlaan 2 NL - 2280 HV Rijswijk Tel. (+31-70) 340-2040, Tx. 31 651 epo nl, Fax: (+31-70) 340-3016	Authorized officer Van Wallene, A
--	--

INTERNATIONAL SEARCH REPORT

International Application No

PCT/US 03/32326

C.(Continuation) DOCUMENTS CONSIDERED TO BE RELEVANT

Category °	Citation of document, with indication, where appropriate, of the relevant passages	Relevant to claim No.
A	<p>DE 41 07 617 A (MESSERSCHMITT BOELKOW BLOHM) 10 September 1992 (1992-09-10)</p> <p>the whole document -----</p>	<p>2-5, 58, 59, 70, 72-74</p>

INTERNATIONAL SEARCH REPORT

 International Application No
 PCT/US 03/32326

Patent document cited in search report	Publication date	Patent family member(s)	Publication date
US 5494748	A	27-02-1996	DE 3912615 A1 18-10-1990
			DE 4009662 A1 02-10-1991
			AT 150101 T 15-03-1997
			CA 2029891 A1 18-10-1990
			DD 297461 A5 09-01-1992
			DE 9007726 U1 12-01-1995
			DE 9007773 U1 26-10-1995
			DE 59010668 D1 17-04-1997
			DK 422174 T3 22-09-1997
			WO 9012906 A2 01-11-1990
			EP 0422174 A1 17-04-1991
			EP 0735162 A2 02-10-1996
			ES 2101696 T3 16-07-1997
			JP 2909207 B2 23-06-1999
			JP 3505475 T 28-11-1991
			KR 156535 B1 01-12-1998
			US 5232779 A 03-08-1993

DE 4107617	A	10-09-1992	DE 4107617 A1 10-09-1992
