



US00D710995S

(12) **United States Design Patent**
Shirley et al.

(10) **Patent No.:** **US D710,995 S**

(45) **Date of Patent:** **** Aug. 12, 2014**

(54) **CATHETER INSERTION DEVICE**

DESCRIPTION

(75) Inventors: **Nate Shirley**, Herriman, UT (US); **Jim Mottola**, Salt Lake City, UT (US); **Gregory R. McArthur**, Sandy, UT (US)

FIG. 1 is an upper perspective view of a first embodiment of a catheter insertion device.

FIG. 2 is a lower perspective view of the catheter insertion device of FIG. 1.

(73) Assignee: **Merit Medical Systems, Inc.**, South Jordan, UT (US)

FIG. 3 is a bottom view of the catheter insertion device of FIG. 1.

(**) Term: **14 Years**

FIG. 4 is a left side view of the catheter insertion device of FIG. 1, of which the right side view is a mirror image.

(21) Appl. No.: **29/417,175**

FIG. 5 is a top view of the catheter insertion device of FIG. 1.

(22) Filed: **Mar. 30, 2012**

FIG. 6 is a front end view of the catheter insertion device of FIG. 1, of which the rear end view is a mirror image.

(51) **LOC (10) Cl.** **24-02**

FIG. 7 is an upper perspective view of a second embodiment of a catheter insertion device.

(52) **U.S. Cl.**

FIG. 8 is a lower perspective view of the catheter insertion device of FIG. 7.

USPC **D24/130**

FIG. 9 is a bottom view of the catheter insertion device of FIG. 7.

(58) **Field of Classification Search**

USPC 604/164.02, 164.04, 164.07, 164.08, 604/171, 177, 246, 283, 533, 535, 539; D24/108, 112, 128, 129, 130, 143, D24/222; 601/1

FIG. 10 is a left side view of the catheter insertion device of FIG. 7, of which the right side view is a mirror image.

See application file for complete search history.

FIG. 11 is a top view of the catheter insertion device of FIG. 7.

(56) **References Cited**

U.S. PATENT DOCUMENTS

D268,871 S * 5/1983 Benham et al. D24/129
D329,698 S * 9/1992 Loney et al. D24/143

FIG. 12 is a front end view of the catheter insertion device of FIG. 7, of which the rear end view is a mirror image.

(Continued)

FIG. 13 is an upper perspective view of a third embodiment of a catheter insertion device.

Primary Examiner — Deanna L Pratt

Assistant Examiner — Ieisha Price

FIG. 14 is a lower perspective view of the catheter insertion device of FIG. 13.

(74) *Attorney, Agent, or Firm* — Stoel Rives LLP

FIG. 15 is a bottom view of the catheter insertion device of FIG. 13.

FIG. 16 is a left side view of the catheter insertion device of FIG. 13, of which the right side view is a mirror image.

FIG. 17 is a top view of the catheter insertion device of FIG. 13; and,

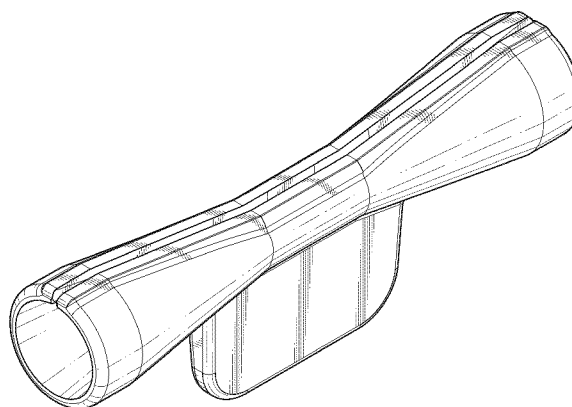
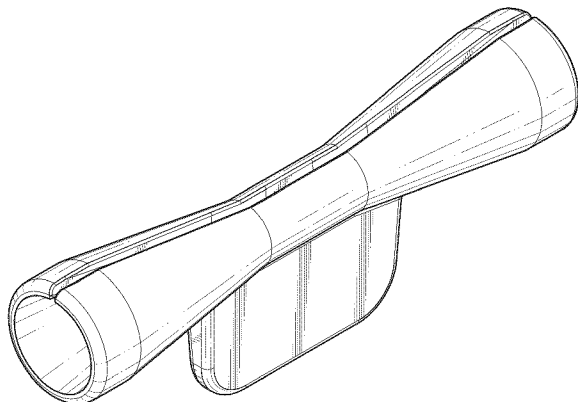
FIG. 18 is a front end view of the catheter insertion device of FIG. 13, of which the rear end view is a mirror image.

The broken lines in the drawings illustrate portions of the catheter insertion device which form no part of the claimed design.

(57) **CLAIM**

The ornamental design for a catheter insertion device, as shown and described.

1 Claim, 9 Drawing Sheets



US D710,995 S

Page 2

(56)

References Cited

U.S. PATENT DOCUMENTS

D340,111	S	*	10/1993	Yoshikawa	D24/112	D450,119	S	*	11/2001	Rose et al.	D24/130
D355,031	S	*	1/1995	Yoshikawa	D24/112	D515,211	S	*	2/2006	Chesnin	D24/130
5,382,239	A	*	1/1995	Orr et al.	604/177	D558,337	S	*	12/2007	Jones et al.	D24/128
D435,291	S	*	12/2000	Asfora	D24/129	D615,649	S	*	5/2010	Zinn et al.	D24/130
							D625,409	S	*	10/2010	Chesnin et al.	D24/129
							2004/0225261	A1	*	11/2004	Millerd	604/177
							2005/0273087	A1		12/2005	Houser et al.		

* cited by examiner

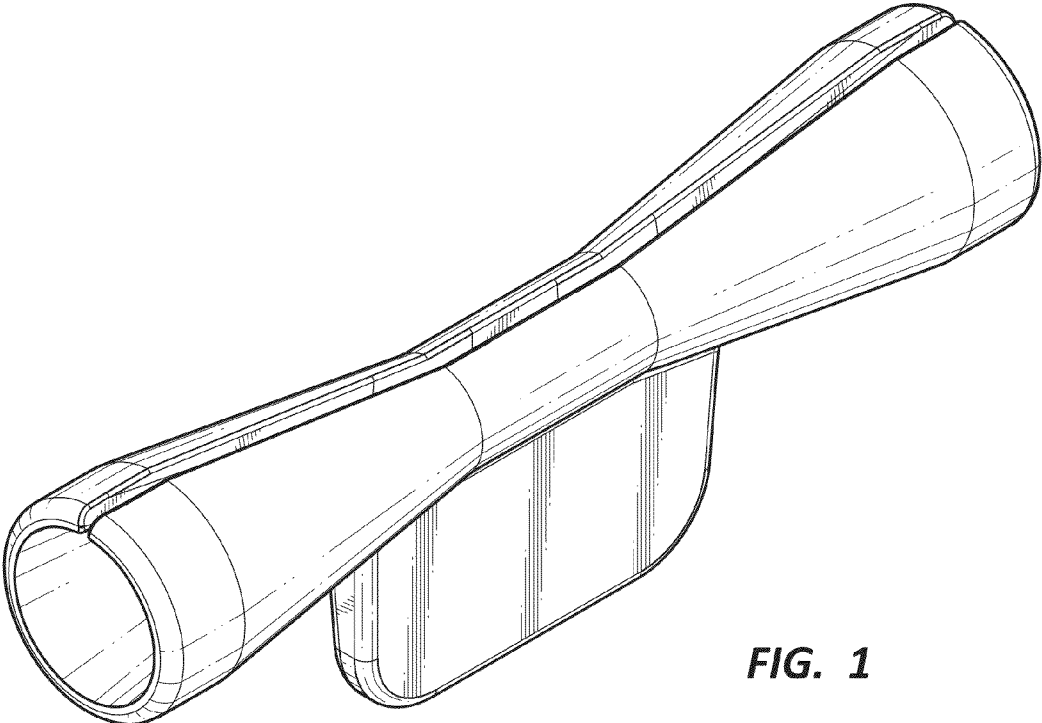


FIG. 1

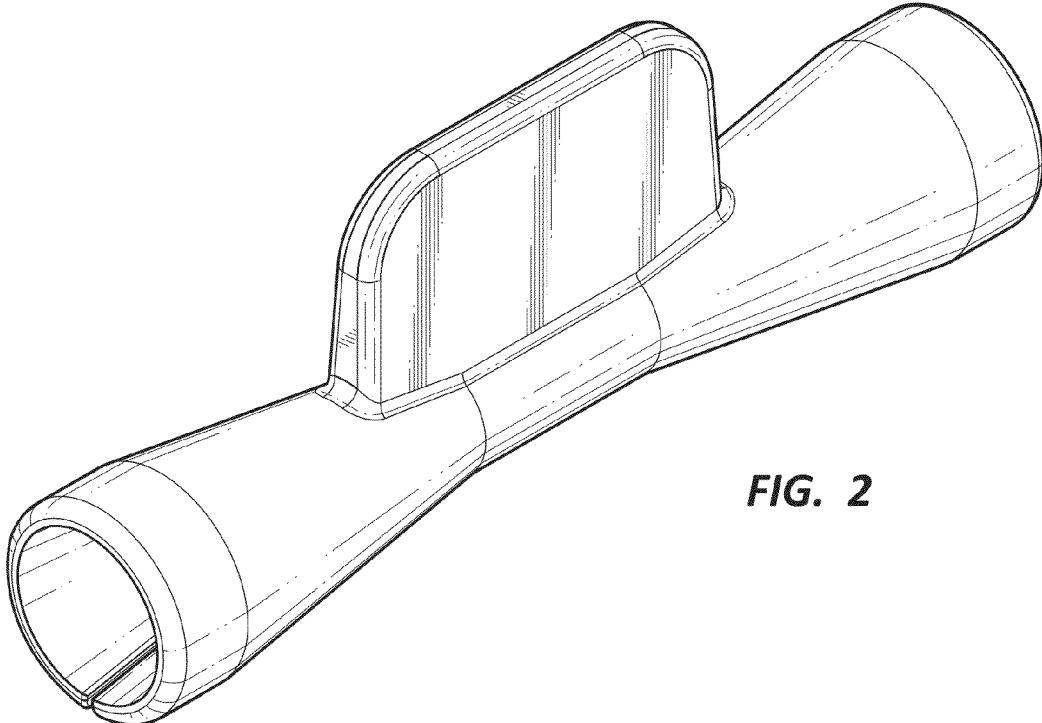


FIG. 2

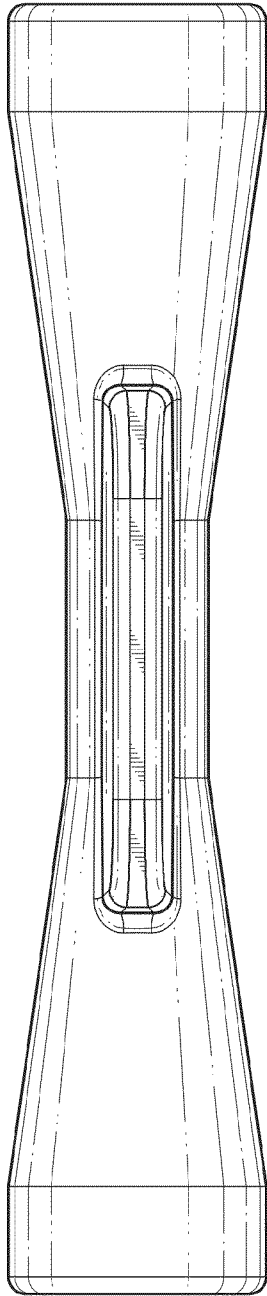


FIG. 3

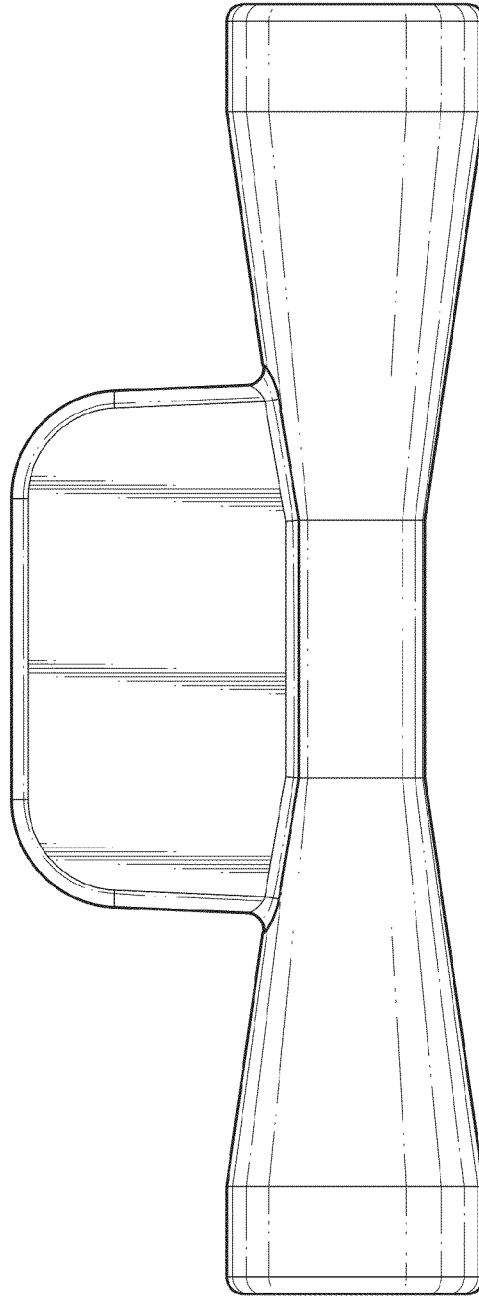


FIG. 4

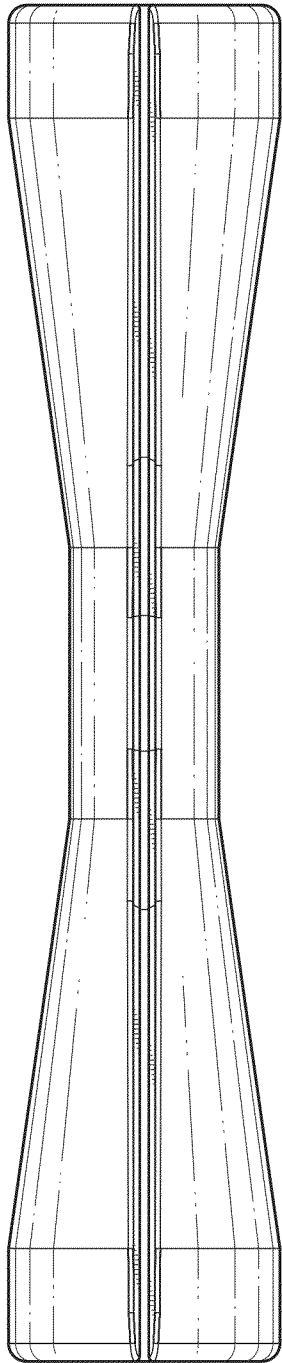


FIG. 5

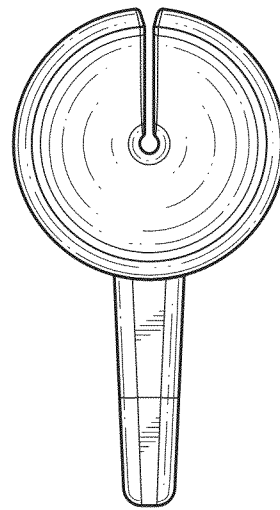


FIG. 6

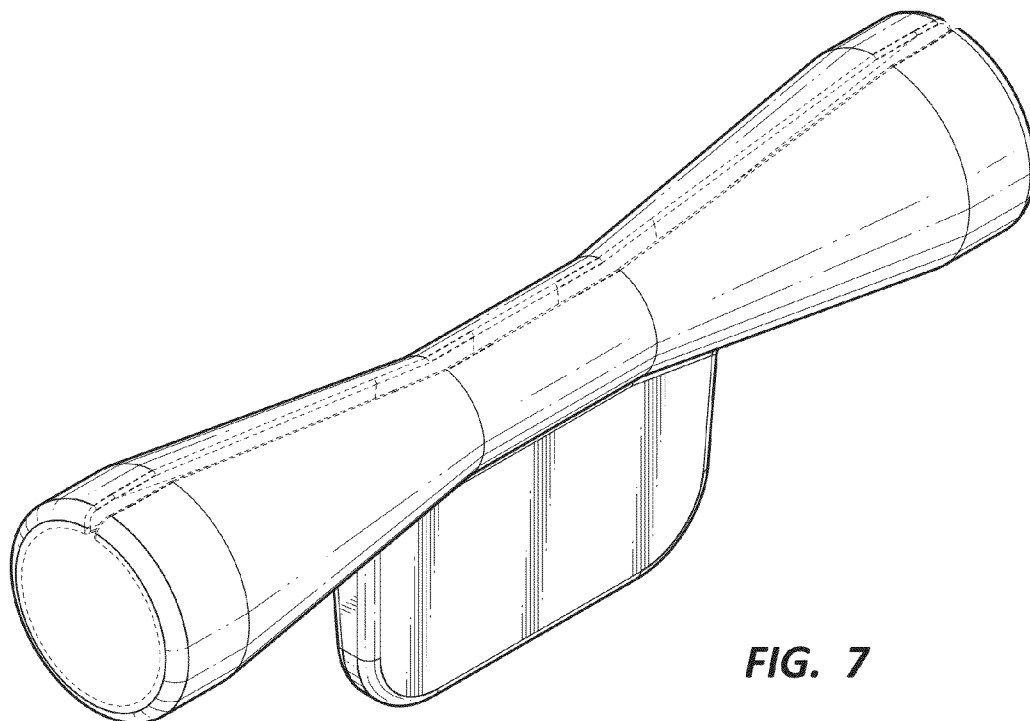


FIG. 7

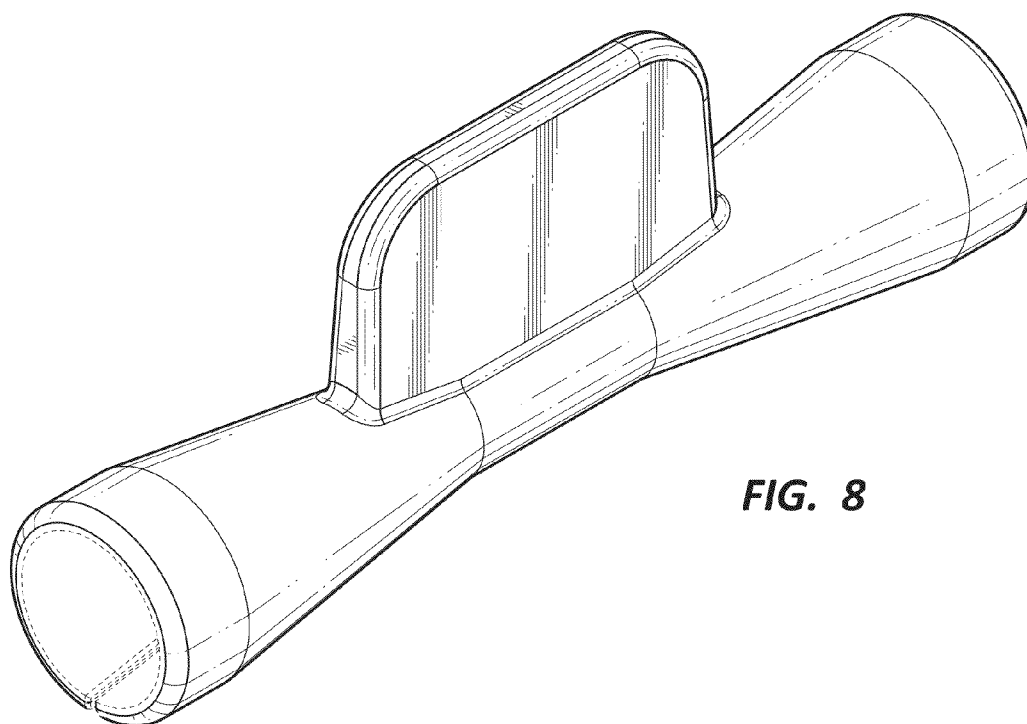


FIG. 8

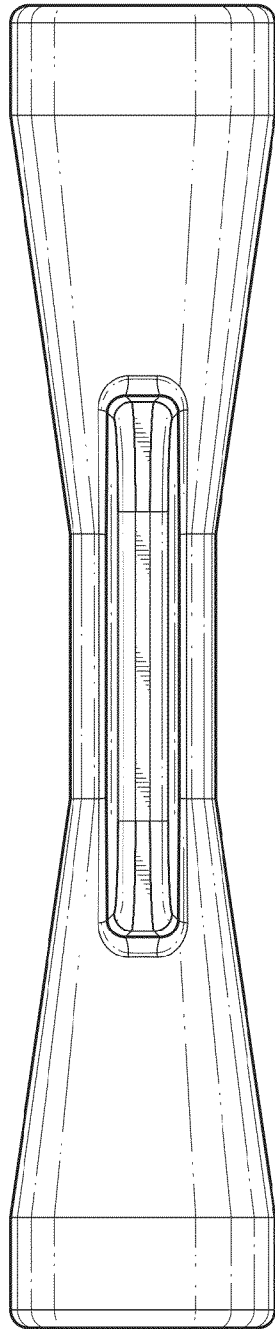


FIG. 9

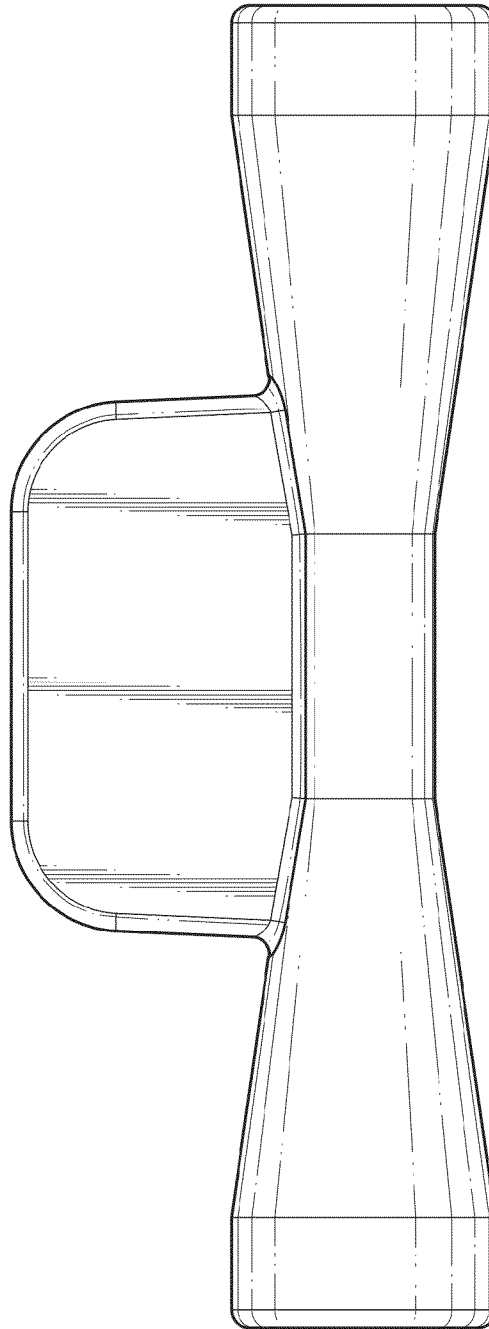


FIG. 10

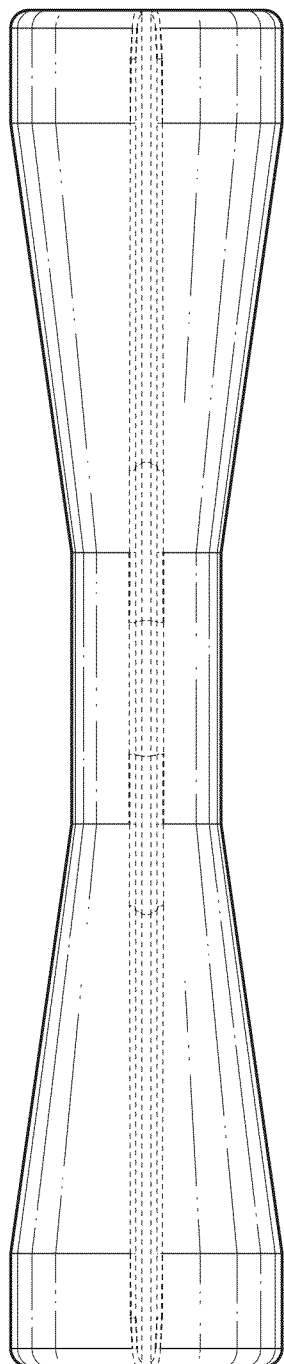


FIG. 11

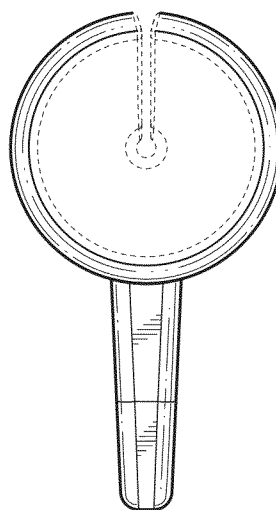


FIG. 12

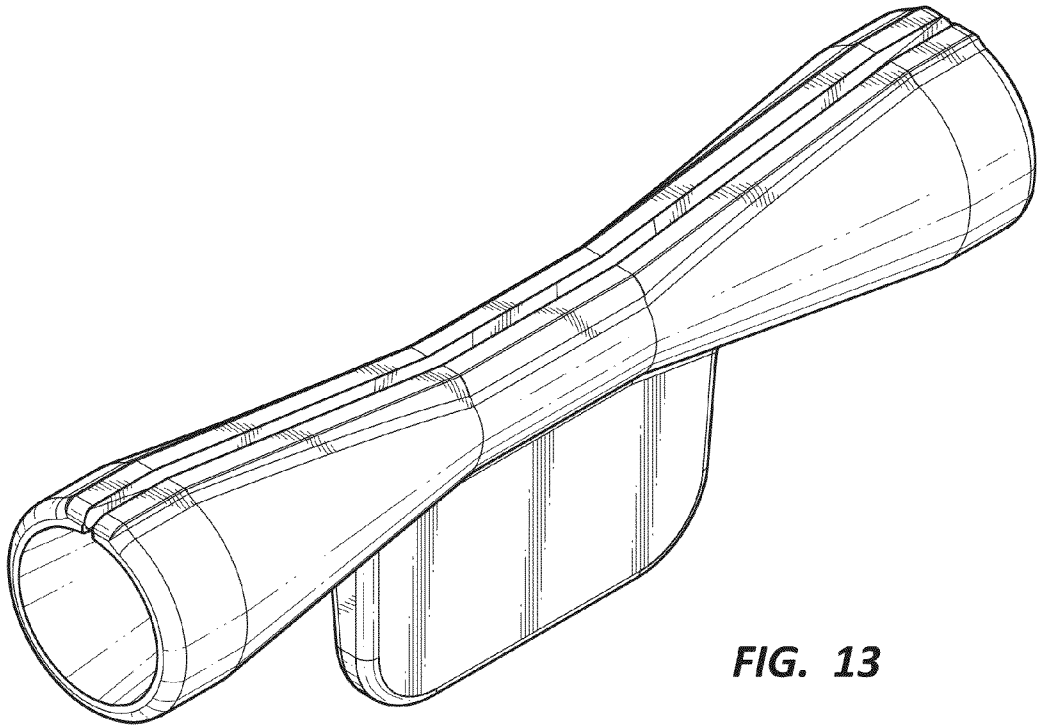


FIG. 13

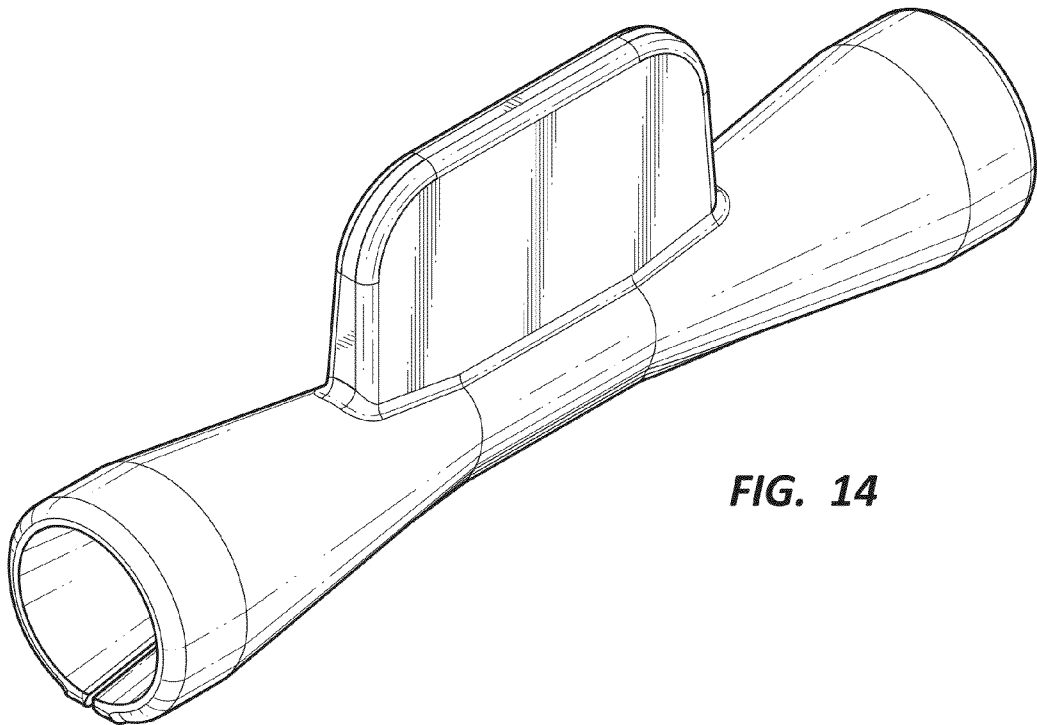


FIG. 14

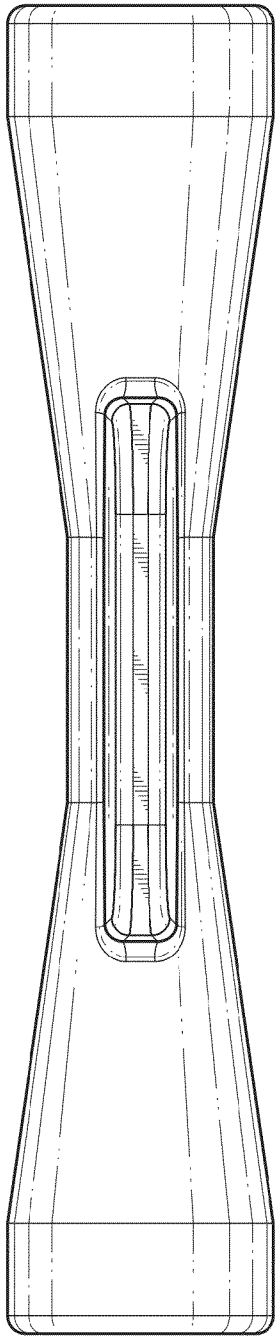


FIG. 15

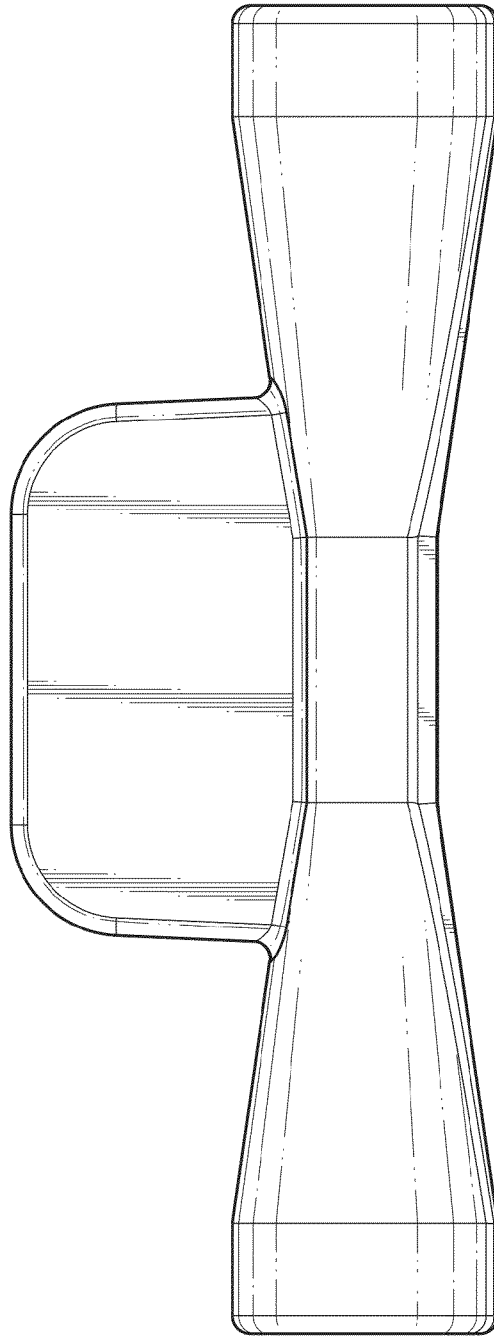


FIG. 16

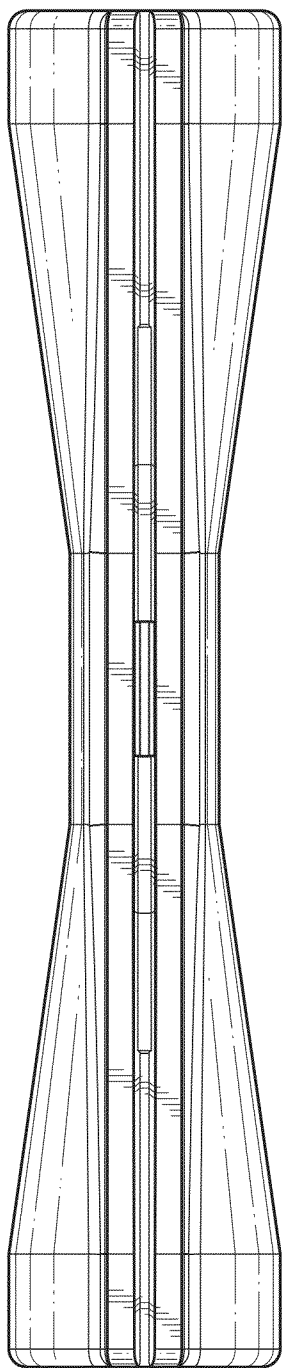


FIG. 17

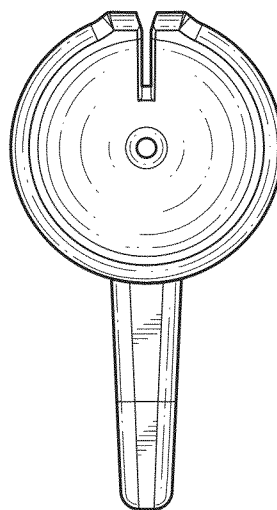


FIG. 18