



US00D764684S

(12) **United States Design Patent**
Metcalf

(10) **Patent No.:** **US D764,684 S**

(45) **Date of Patent:** **** Aug. 23, 2016**

- (54) **PANEL WITH TRUSS PATTERN**
- (71) Applicant: **3form, LLC**, Salt Lake City, UT (US)
- (72) Inventor: **Elizabeth Egan Metcalf**, Salt Lake City, UT (US)
- (73) Assignee: **3Form, LLC**, Salt Lake City, UT (US)
- (**) Term: **14 Years**
- (21) Appl. No.: **29/492,990**
- (22) Filed: **Jun. 4, 2014**

Related U.S. Application Data

- (63) Continuation of application No. 14/120,421, filed on Mar. 11, 2014, now abandoned.

- (51) **LOC (10) Cl.** **25-01**
- (52) **U.S. Cl.**
USPC **D25/103; D25/138**
- (58) **Field of Classification Search**
USPC D25/102-105, 110, 111, 138-145, D25/149-153, 156, 157, 163, 199, 35, 45, D25/55, 58, 60; D5/1-5, 7, 20, 32, 51, D5/54-56, 58, 62-64, 99; D6/332, 575; D20/10, 42, 99; 428/13, 46, 67, 81, 428/385
CPC B32B 2419/00; B32B 2419/04; B32B 2451/00; B32B 2607/00; B32B 17/10247; B32B 17/10256; B32B 17/10266; B32B 17/10275; B32B 17/10284; Y10T 428/24; Y10T 428/24942; Y10T 428/24967; Y10T 428/31786; Y10T 428/3179; Y10T 428/31971; Y10T 428/31986; B44C 5/04; B44C 5/0407; B44C 5/0423; B44C 5/0461; B44C 5/0469; B44C 5/0476; B44C 5/0484; B44C 5/1492; B44C 3/02

See application file for complete search history.

(56) **References Cited**

U.S. PATENT DOCUMENTS

D22,753 S *	8/1893 Pilkington	D25/103
D43,349 S *	12/1912 Shuman	D25/111

(Continued)

OTHER PUBLICATIONS

Truss Pure White Pressed. 3-form.com [online] 2 pages [retrieved on Aug. 28, 2015]. Retrieved from Internet: <http://www.3-form.com/materials/pressed_glass/tailed/truss_pure_white_pressed/>.*

(Continued)

Primary Examiner — Susan Bennett Hattan
Assistant Examiner — Marie Fast Horse
 (74) *Attorney, Agent, or Firm* — Workman Nydegger

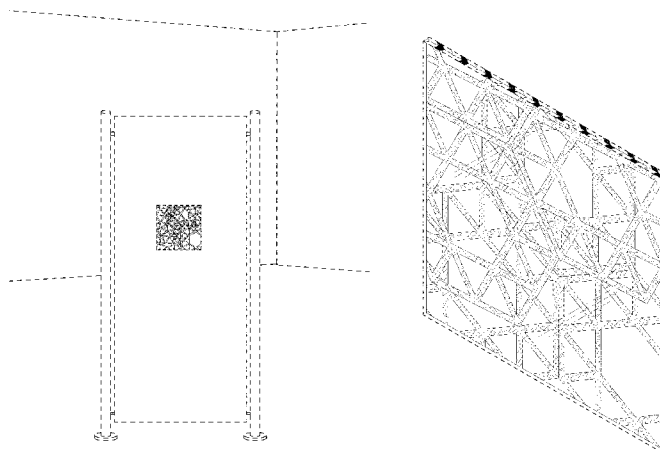
(57) **CLAIM**

The ornamental design for a panel with truss pattern, as shown and described.

DESCRIPTION

FIG. 1 is a front view of a panel with truss pattern as used in a partition structure;
 FIG. 2 is an enlarged front perspective, sectional view of the panel with truss pattern taken from the shaded area of FIG. 1;
 FIG. 3 is an enlarged front elevational, sectional view thereof, reference to the sectional side and plan views of FIGS. 4-7;
 FIG. 4 is an enlarged left side sectional view taken along line 4-4 of FIG. 3;
 FIG. 5 is an enlarged right side sectional view taken along line 5-5 of FIG. 3;
 FIG. 6 is an enlarged top plan side sectional view taken along line 6-6 of FIG. 3; and,
 FIG. 7 is an enlarged bottom plan side sectional view taken along line 7-7 of FIG. 3.
 The broken lines adjacent to the solid line areas depict the bounds of the claim and all other broken lines depict environmental subject matter. All broken lines form no part of the claimed design.

1 Claim, 3 Drawing Sheets



(56)

References Cited

U.S. PATENT DOCUMENTS

D69,906 S * 4/1926 Niebuhr D5/62
 D87,411 S * 7/1932 Riley D25/159
 D172,248 S * 5/1954 Ring D5/52
 D188,598 S * 8/1960 Radcliffe D25/163
 3,832,267 A * 8/1974 Liu A61F 13/00017
 264/210.2
 D239,855 S * 5/1976 Shroeder D5/51
 4,035,536 A * 7/1977 Morrison B32B 3/12
 244/119
 D331,665 S * 12/1992 Underhill D5/53
 5,300,347 A * 4/1994 Underhill B31F 1/07
 162/117
 D392,466 S * 3/1998 Kendall D5/53
 D424,810 S * 5/2000 Thomas D5/1
 D501,566 S * 2/2005 Yang D25/139
 D662,325 S * 6/2012 Wong D5/47
 D663,958 S * 7/2012 Van Baar D5/57
 D710,518 S * 8/2014 Reese D25/104
 D721,686 S * 1/2015 Jacob D14/250
 D727,540 S * 4/2015 Martin D25/138

9,097,015 B2 * 8/2015 Moore E04C 2/26
 2012/0048487 A1 * 3/2012 Brewster B32B 3/12
 160/368.1
 2012/0293515 A1 * 11/2012 Clarberg G06T 15/10
 345/441

OTHER PUBLICATIONS

Furniture Panel Truss. (Design - © Questel). orbit.com [online PDF] 4 pages Registered Nov. 21, 2014 [retrieved on Aug. 28, 2015]. Retrieved from Internet: <<http://sobjprd.questel.fr/export/QPTUJ214/pdf2/09d6a3a0-af11-49de-bb97-e16b8c15c40c-203717.pdf>>.*
 DIY-Honeycomb Headboard. merrypad.com [online] 8 pages Posted Apr. 16, 2012 [retrieved on Aug. 28, 2015]. Retrieved from Internet: <<http://www.merrypad.com/2012/04/16/diy-honeycomb-headboard/>>.*
 Tessellation Pattern Study. nusdigitaldesignfabrication.files.wordpress.com [online] 8 pages Posted Feb. 17, 2013 [retrieved on Aug. 28, 2015]. Retrieved from Internet: <<https://nusdigitaldesignfabrication.files.wordpress.com/2013/02/screenshot-2013-02-17-at-8-40-05-am.png>>.*

* cited by examiner

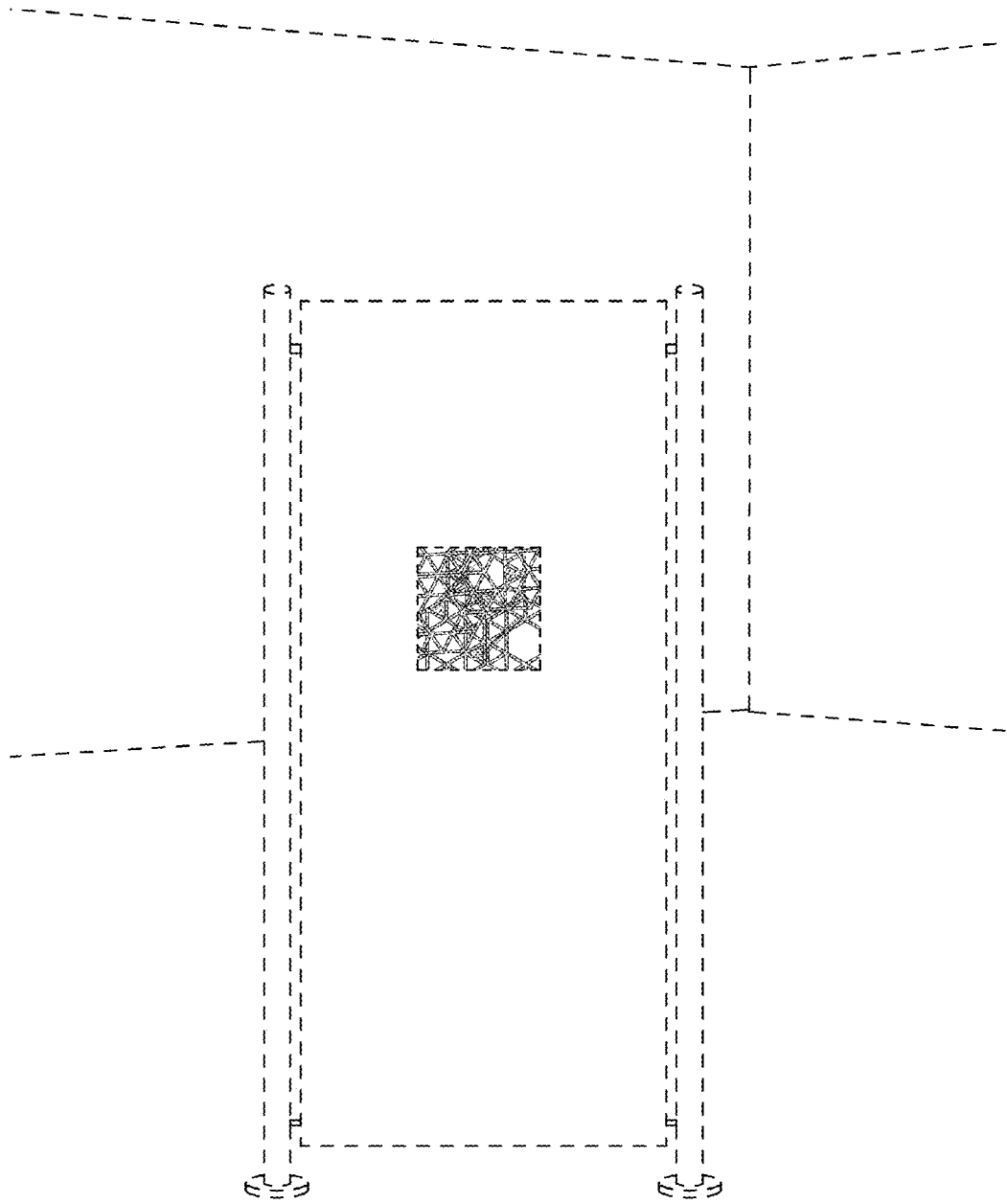


FIG. 1

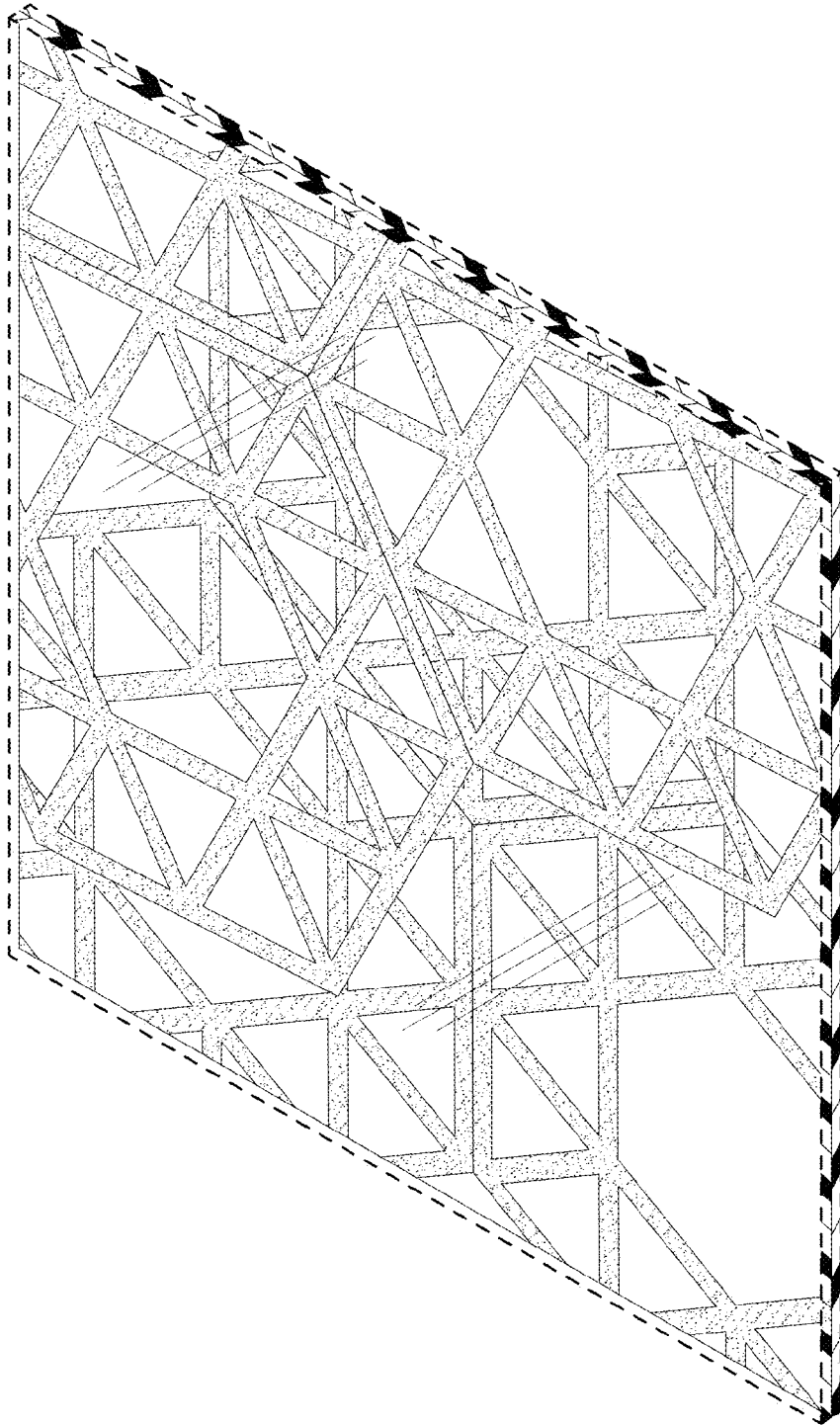


FIG. 2

