



US00D362921S

# United States Patent [19] Krystek

[11] **Patent Number:** **Des. 362,921**  
[45] **Date of Patent:** **\*\*Oct. 3, 1995**

[54] **ILLUMINATED ASHTRAY**  
[75] Inventor: **Steven P. Krystek**, 5906 W. Lawrence Ave., Chicago, Ill. 60630  
[73] Assignee: **Steven P. Krystek**, Chicago, Ill.  
[\*\*] Term: **14 Years**

*Primary Examiner*—A. Hugo Word  
*Assistant Examiner*—Marcus Jackson  
*Attorney, Agent, or Firm*—Hill, Steadman & Simpson

### [57] CLAIM

The ornamental design for illuminated ashtray, as shown and described.

[21] Appl. No.: **29,577**  
[22] Filed: **Oct. 11, 1994**  
[52] **U.S. Cl.** ..... **D27/125; D27/106**  
[58] **Field of Search** ..... **D27/106, 120, D27/125; 131/231, 240, 240.1, 242, 256, 257, 235.1**

### DESCRIPTION

FIG. 1 is a perspective view of an illuminated ashtray of the present invention;  
FIG. 2 is a plan view thereof;  
FIG. 3 is an elevational view thereof;  
FIG. 4 is a side view thereof;  
FIG. 5 is a bottom view thereof;  
FIG. 6 is a perspective view of a second embodiment thereof;  
FIG. 7 is a plan view thereof;  
FIG. 8 is an elevational view thereof;  
FIG. 9 is a side view thereof;  
FIG. 10 is a bottom view thereof;  
FIG. 11 is a perspective view of a third embodiment thereof;  
FIG. 12 is a plan view thereof;  
FIG. 13 is an elevational view thereof;  
FIG. 14 is a side view thereof; and,  
FIG. 15 is a bottom view thereof.

### [56] References Cited

#### U.S. PATENT DOCUMENTS

D. 145,876	11/1946	Ross	.....	D27/106
D. 168,197	11/1952	Bergen et al.	.....	D27/125
D. 342,340	12/1993	Greenfield et al.	.....	D27/106
2,357,399	9/1944	Gregory	.....	131/231
2,565,980	8/1951	Moore	.	
2,987,619	6/1961	Rosenfeld	.	
4,580,581	4/1986	Reece et al.	.....	131/231
4,671,300	6/1987	Grube et al.	.....	131/231
5,211,699	5/1993	Tipton	.	

#### FOREIGN PATENT DOCUMENTS

7801748 2/1979 Sweden .

**1 Claim, 3 Drawing Sheets**

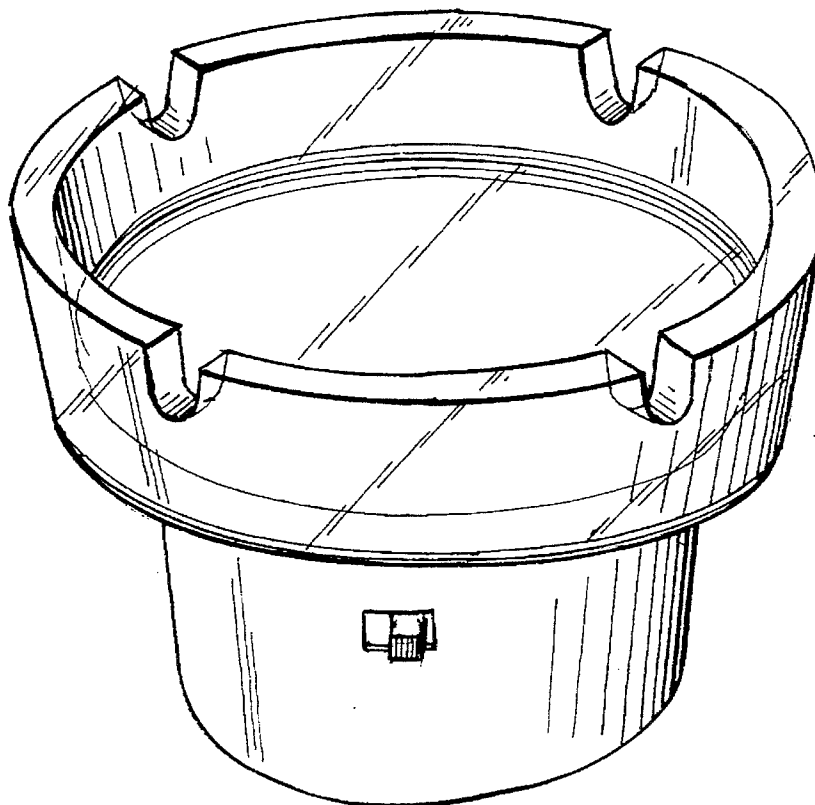


FIG. 1

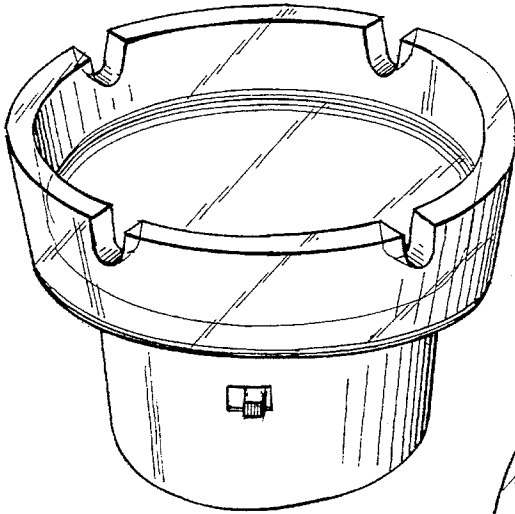


FIG. 2

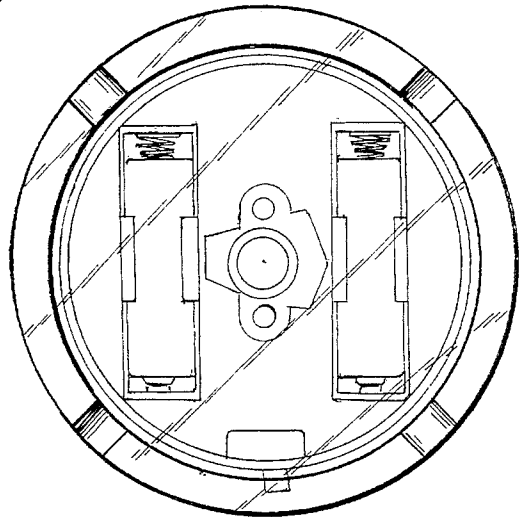


FIG. 3

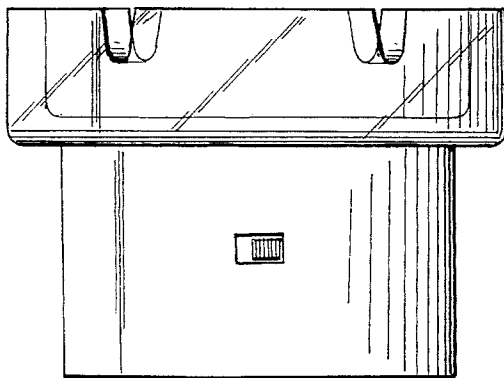


FIG. 4

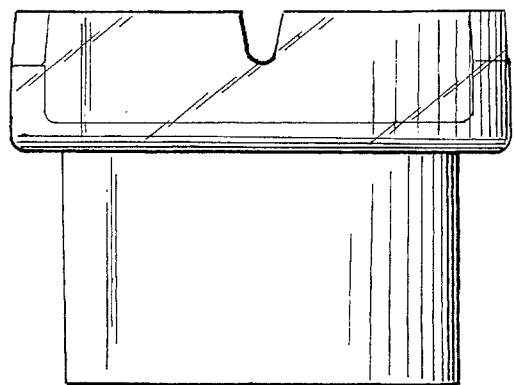


FIG. 5

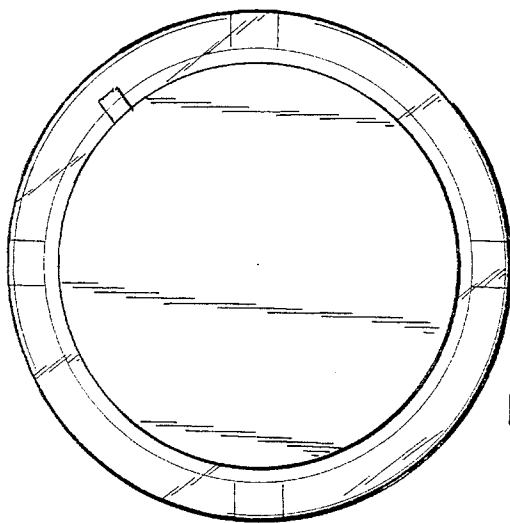


FIG. 6

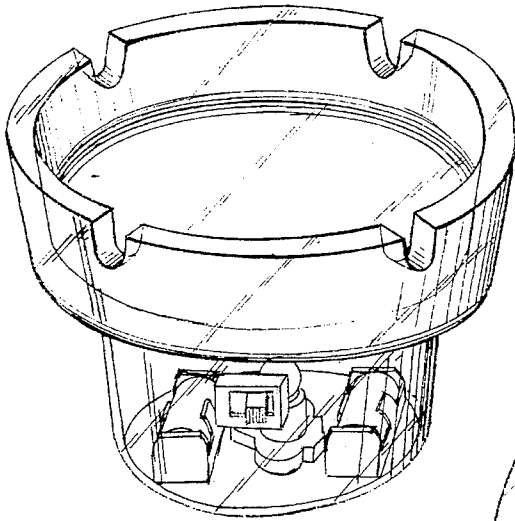


FIG. 7

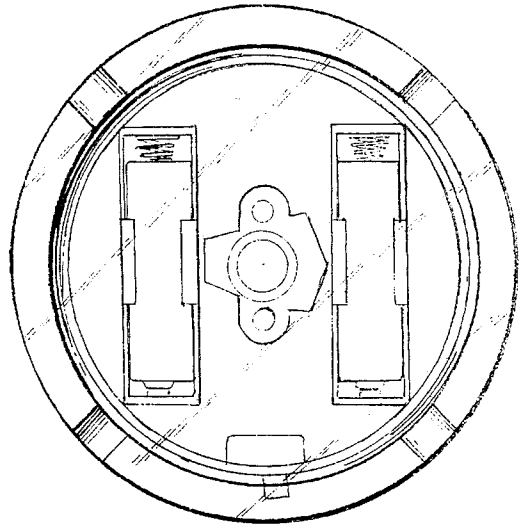


FIG. 8

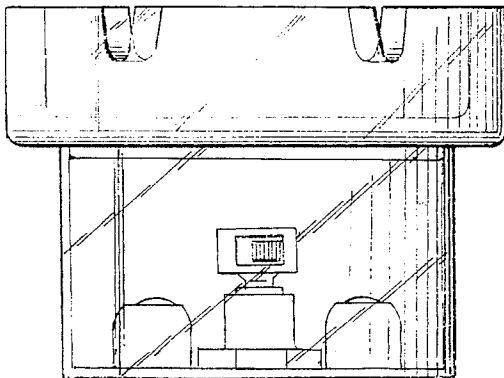


FIG. 9

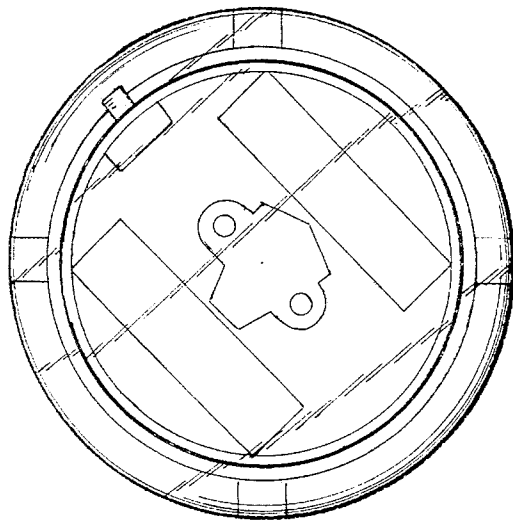
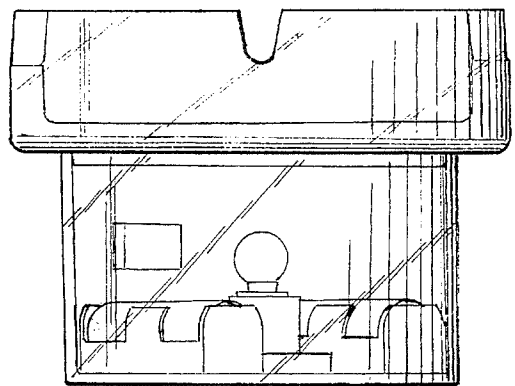


FIG. 10

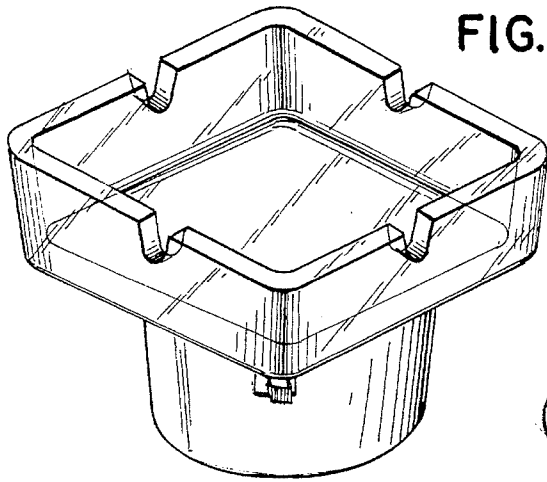


FIG. 11

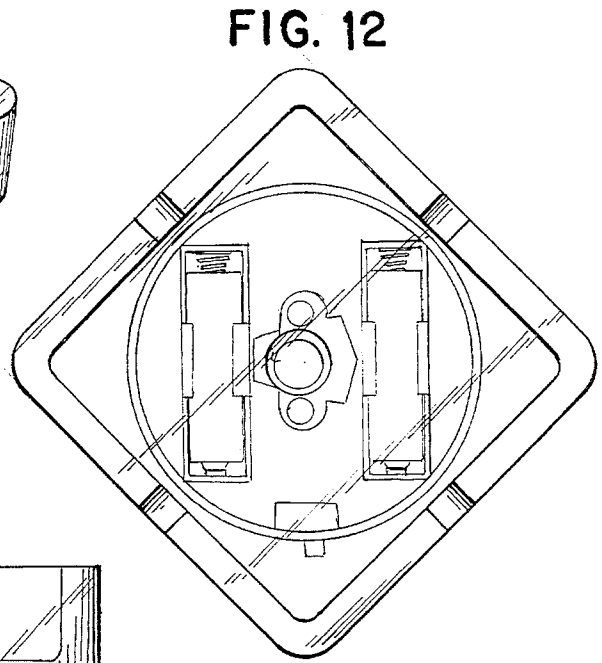


FIG. 12

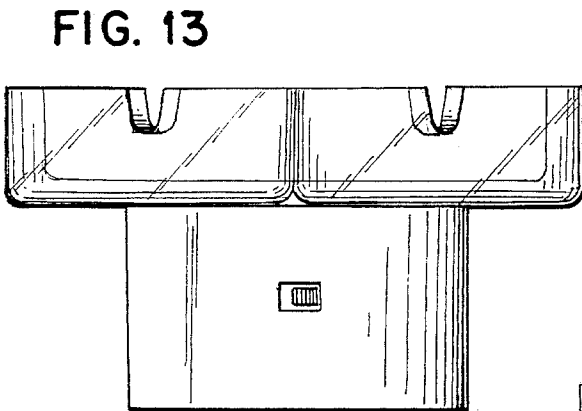


FIG. 13

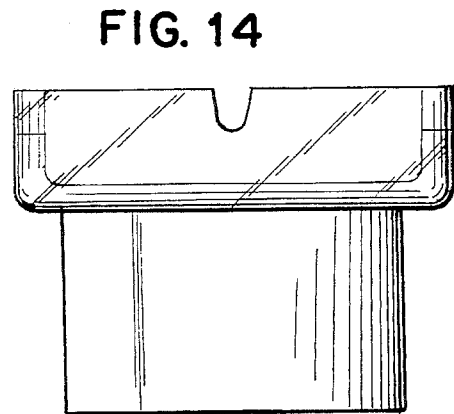


FIG. 14

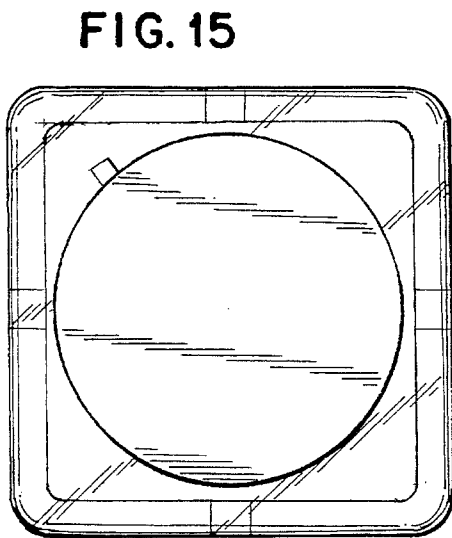


FIG. 15