



US00D713231S

(12) **United States Design Patent**  
**Boozic**

(10) **Patent No.:** **US D713,231 S**

(45) **Date of Patent:** **\*\* Sep. 16, 2014**

(54) **SAW BLADE**

FOREIGN PATENT DOCUMENTS

(71) Applicant: **Robert Bosch GmbH**, Stuttgart (DE)

DE 102007058889 A1 \* 12/2008

(72) Inventor: **Milan Boozic**, Solothurn (CH)

OTHER PUBLICATIONS

(73) Assignee: **Robert Bosch GmbH**, Stuttgart (DE)

Bosch. Oscillating Multi-X Accessories. Maximize Your Kitchen. Feb. 28, 2012 [online], [retrieved on Aug. 26, 2013]. Retrieved from the Internet <URL: <http://www.boschtools.com/SiteCollectionDocuments/1606.pdf>>.\*

(\*\*) Term: **14 Years**

Clint DeBoer. Ridgid JobMax 12V Multi-Tool Review. Pro Tool Reviews. Aug. 24, 2012 [online], [retrieved on Aug. 26, 2013]. Retrieved from the Internet <URL: <http://www.protoolreviews.com/tools/ridgid-jobmax-12v-multi-too1/1588>>.\*

(21) Appl. No.: **29/441,277**

Oscillating Tool Uses. The Family Handyman. Oct. 20, 2012 [online], [retrieved on Aug. 26, 2013]. Retrieved from the Internet <URL: <http://www.familyhandyman.com/tools/power-tools/oscillating-tool-uses/view-all>>.\*

(22) Filed: **Jan. 3, 2013**

(30) **Foreign Application Priority Data**

Jul. 3, 2012 (EM) ..... 002067546

\* cited by examiner

(51) **LOC (10) Cl.** ..... **08-03**

*Primary Examiner* — Philip S Hyder

(52) **U.S. Cl.**  
USPC ..... **D8/70**

*Assistant Examiner* — Darlington Ly

(58) **Field of Classification Search**

(74) *Attorney, Agent, or Firm* — Maginot, Moore & Beck

USPC ..... D8/16, 19, 20, 64, 66, 70, 74, 90-99;  
D15/127, 133, 138, 139; D22/117,  
D22/118, 146, 147; 7/148; 30/142, 144,  
30/165, 166.3, 272.1, 314, 320, 346,  
30/346.5, 346.55, 346.56, 346.6, 351, 355,  
30/357; 83/676, 835, 837-850

(57) **CLAIM**

The ornamental design for a saw blade, as shown and described.

See application file for complete search history.

**DESCRIPTION**

(56) **References Cited**

U.S. PATENT DOCUMENTS

1,663,241 A \* 3/1928 Cheshire ..... 83/851  
D273,681 S \* 5/1984 Ito ..... D15/133  
4,848,205 A \* 7/1989 Suzuki et al. .... 83/853  
D447,496 S \* 9/2001 Lee et al. .... D15/139  
D465,984 S \* 11/2002 Harada et al. .... D8/70  
7,140,287 B2 \* 11/2006 Lowder et al. .... 83/848  
D579,297 S \* 10/2008 Jeiziner et al. .... D8/70  
D587,979 S \* 3/2009 Jeiziner et al. .... D8/70  
D622,120 S \* 8/2010 Brutscher et al. .... D8/70  
D651,499 S \* 1/2012 Tong ..... D8/70  
D677,546 S \* 3/2013 Zhou et al. .... D8/70  
2012/0144676 A1 \* 6/2012 Davidian et al. .... 30/142

FIG. 1 is a perspective view of a saw blade showing my new design;

FIG. 2 is a top plan view showing the design for the saw blade of FIG. 1;

FIG. 3 is a bottom plan view showing the design for the saw blade of FIG. 1;

FIG. 4 is a left side elevational view showing the design for the saw blade of FIG. 1;

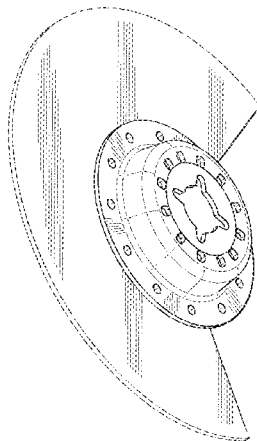
FIG. 5 is a right side elevational view showing the design for the saw blade of FIG. 1;

FIG. 6 is a front elevational view showing the design for the saw blade of FIG. 1; and,

FIG. 7 is a rear elevational view showing the design for the saw blade of FIG. 1.

The broken lines shown in the drawings illustrate portions of the saw blade that form no part of the claimed design.

**1 Claim, 7 Drawing Sheets**



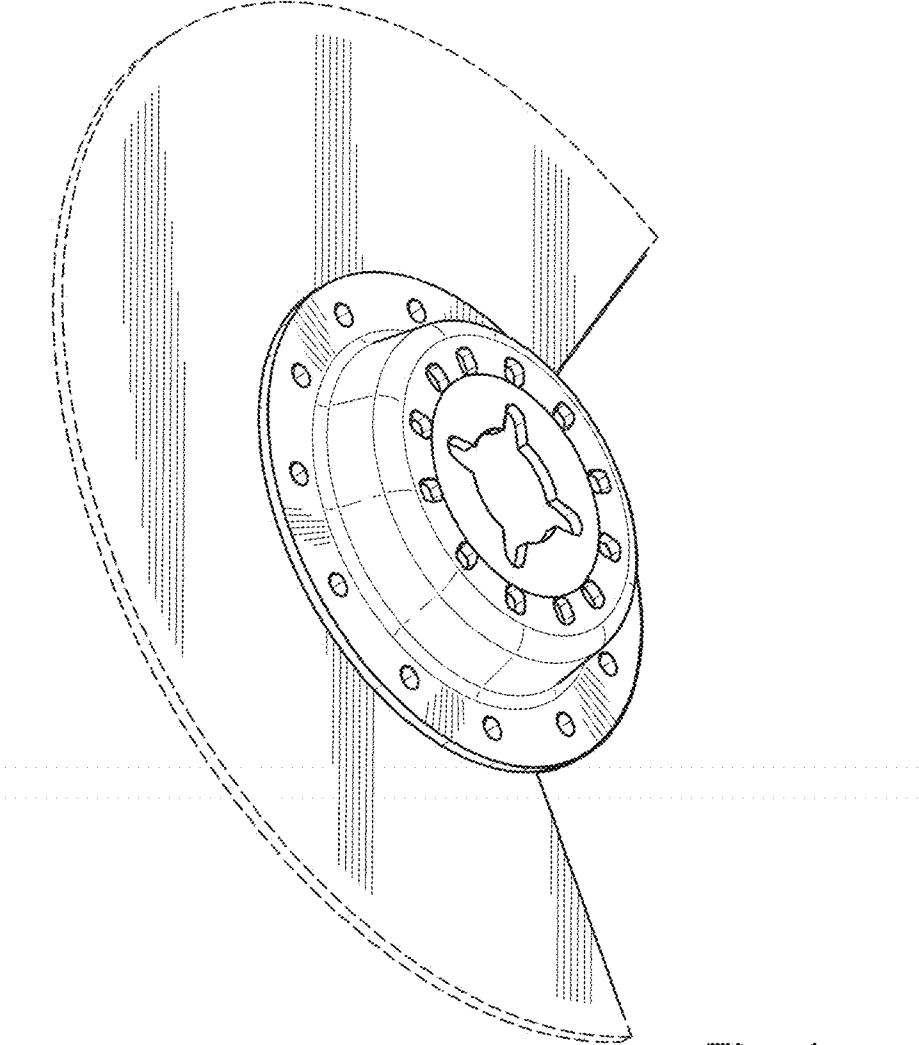


Fig. 1

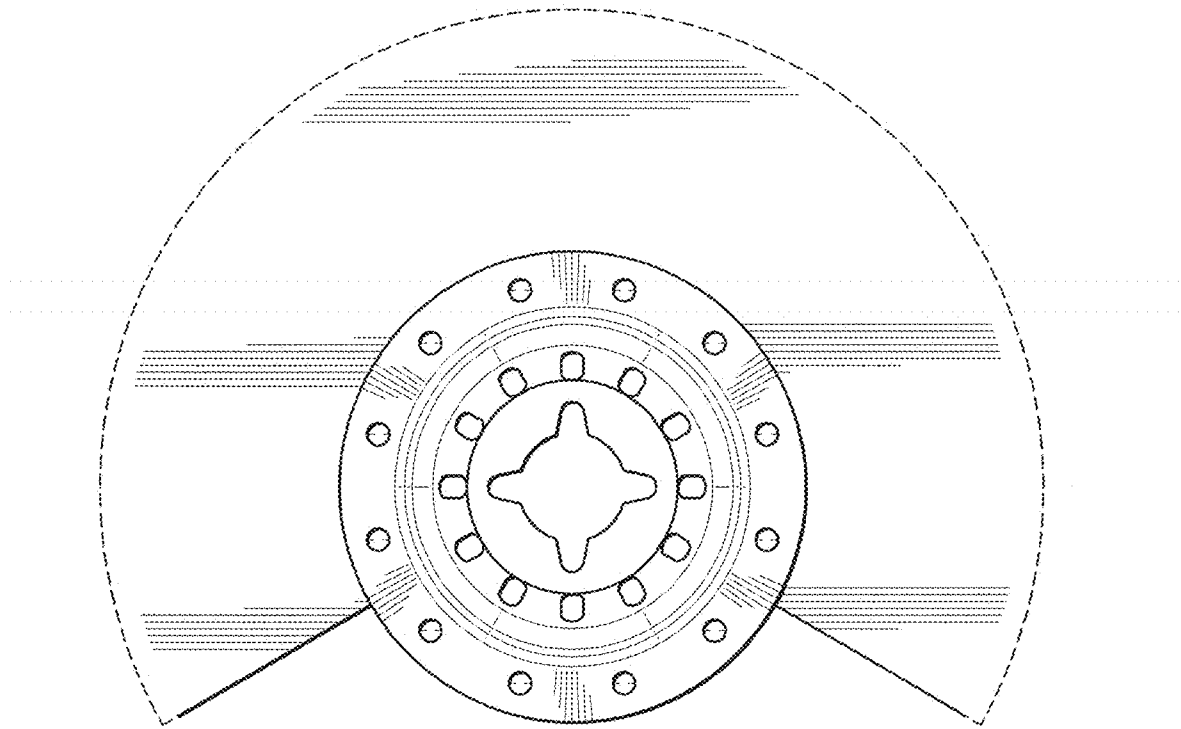


Fig. 2

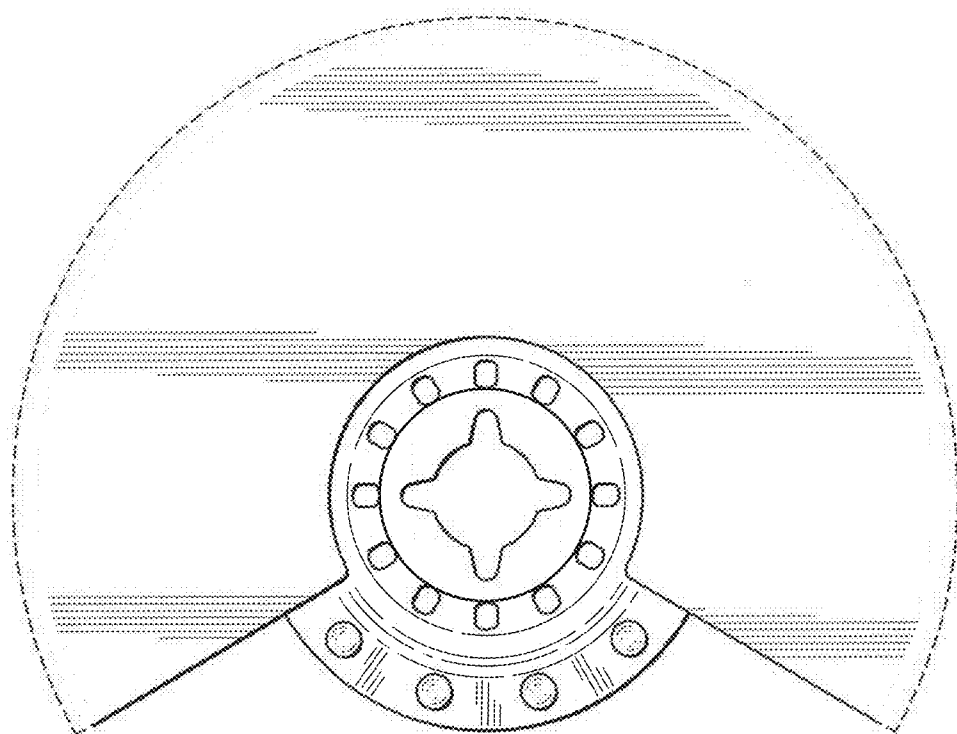


Fig. 3

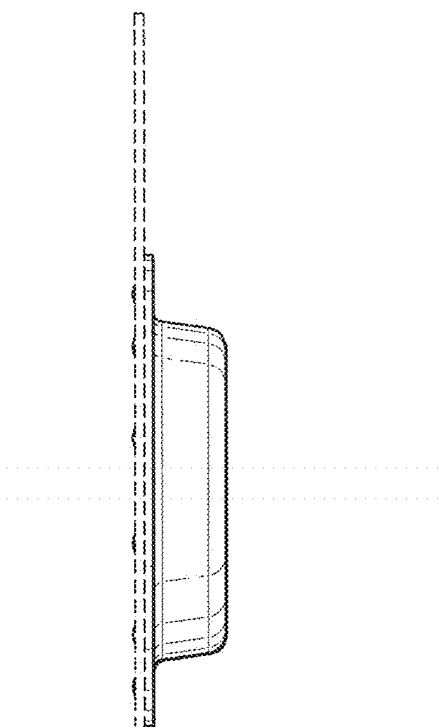


Fig. 4

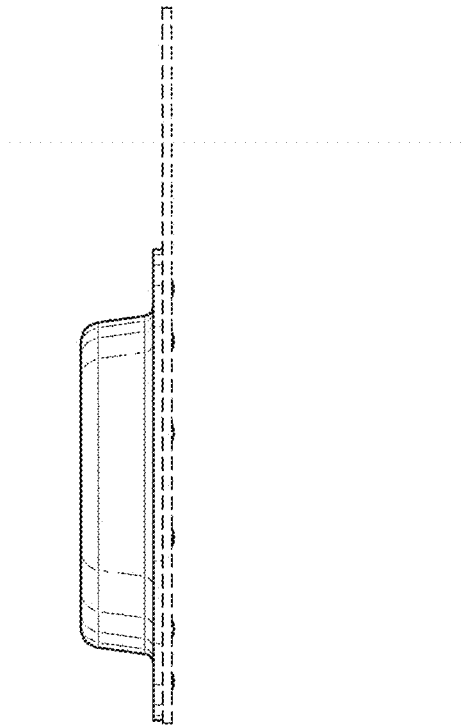


Fig. 5

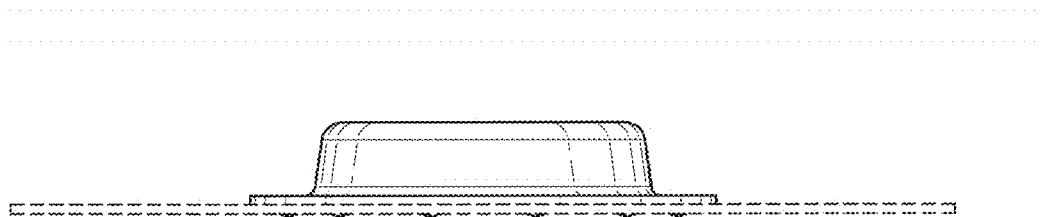


Fig. 6

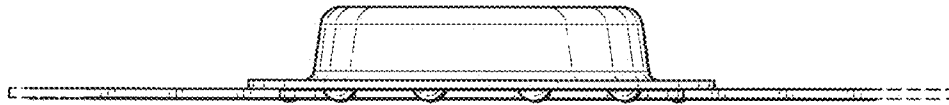


Fig. 7



UNITED STATES PATENT AND TRADEMARK OFFICE  
**CERTIFICATE OF CORRECTION**

PATENT NO. : D713,231 S  
APPLICATION NO. : 29/441277  
DATED : September 16, 2014  
INVENTOR(S) : Milan Bozic

Page 1 of 1

It is certified that error appears in the above-identified patent and that said Letters Patent is hereby corrected as shown below:

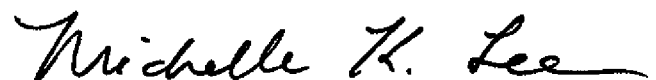
On the Title page at (12) United States Design Patent:

Replace "Boozic" with --Bozic--

On the Title page at (72) Inventor:

Replace "Boozic" with --Bozic--

Signed and Sealed this  
Seventh Day of July, 2015



Michelle K. Lee  
*Director of the United States Patent and Trademark Office*