



- (51) International Patent Classification:
A61N 5/10 (2006.01) *G21K 1/02* (2006.01)
- (21) International Application Number:
PCT/US2014/032034
- (22) International Filing Date:
27 March 2014 (27.03.2014)
- (25) Filing Language: English
- (26) Publication Language: English
- (30) Priority Data:
13/853,448 29 March 2013 (29.03.2013) US
- (71) Applicant: MICROBEAM THERAPY, LLC. [US/US];
917, Durlston Road, Redwood City, California 94062 (US).
- (72) Inventors: SLATKIN, Daniel N.; 85 River Road, Apt. 1-7, Essex, Connecticut 06426 (US). GEISLER, Fred H.; 401 N. Wabash Avenue, Unit 62F, Chicago, Illinois 60611 (US).

- (74) Agent: KRAMER, Terry W.; Kramer Amado P.C., 330 John Carlyle St., 3rd Floor, Alexandria, Virginia 22314 (US).
- (81) Designated States (*unless otherwise indicated, for every kind of national protection available*): AE, AG, AL, AM, AO, AT, AU, AZ, BA, BB, BG, BH, BN, BR, BW, BY, BZ, CA, CH, CL, CN, CO, CR, CU, CZ, DE, DK, DM, DO, DZ, EC, EE, EG, ES, FI, GB, GD, GE, GH, GM, GT, HN, HR, HU, ID, IL, IN, IR, IS, JP, KE, KG, KN, KP, KR, KZ, LA, LC, LK, LR, LS, LT, LU, LY, MA, MD, ME, MG, MK, MN, MW, MX, MY, MZ, NA, NG, NI, NO, NZ, OM, PA, PE, PG, PH, PL, PT, QA, RO, RS, RU, RW, SA, SC, SD, SE, SG, SK, SL, SM, ST, SV, SY, TH, TJ, TM, TN, TR, TT, TZ, UA, UG, US, UZ, VC, VN, ZA, ZM, ZW.
- (84) Designated States (*unless otherwise indicated, for every kind of regional protection available*): ARIPO (BW, GH, GM, KE, LR, LS, MW, MZ, NA, RW, SD, SL, SZ, TZ, UG, ZM, ZW), Eurasian (AM, AZ, BY, KG, KZ, RU, TJ, TM), European (AL, AT, BE, BG, CH, CY, CZ, DE, DK, EE, ES, FI, FR, GB, GR, HR, HU, IE, IS, IT, LT, LU, LV, MC, MK, MT, NL, NO, PL, PT, RO, RS, SE, SI, SK, SM,

[Continued on next page]

(54) Title: MAGNETIC CONFINEMENT FOR MICROBEAM RADIATION DAMAGE AREA

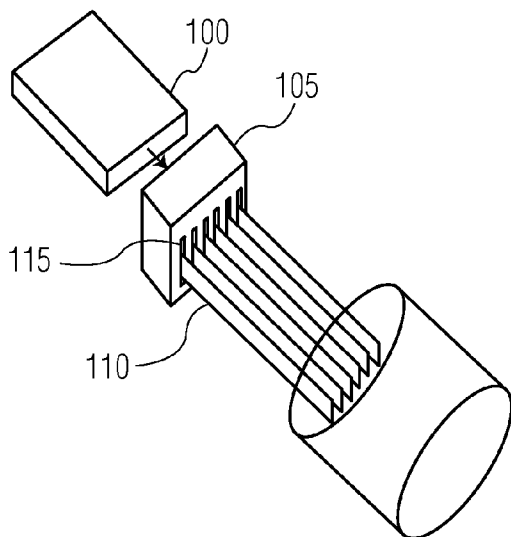


FIG. 1

(57) Abstract: Various embodiments relate to a method of performing microbeam radiation therapy on a subject, including: producing a high-energy radiation beam in a first direction; producing planar microbeams using the high-energy radiation beam in the first direction, wherein the microbeams have a width, wherein the planar microbeams produce scattered electrons; and applying a magnetic field in a direction lying in a plane substantially parallel to the planar microbeams, wherein the strength of the magnetic field corresponds to the width of the microbeam.





TR), OAPI (BF, BJ, CF, CG, CI, CM, GA, GN, GQ, GW, KM, ML, MR, NE, SN, TD, TG).

Published:

Declarations under Rule 4.17:

- *as to applicant's entitlement to apply for and be granted a patent (Rule 4.17(ii))*
- *as to the applicant's entitlement to claim the priority of the earlier application (Rule 4.17(iii))*

- *with international search report (Art. 21(3))*
- *before the expiration of the time limit for amending the claims and to be republished in the event of receipt of amendments (Rule 48.2(h))*

(88) Date of publication of the international search report:

18 December 2014

INTERNATIONAL SEARCH REPORT

International application No.
PCT/US14/32034

A. CLASSIFICATION OF SUBJECT MATTER
IPC(8) - A61N 5/10; G21K 1/02 (2014.01)
CPC - A61B 2018/00642, 2018/00684; A61N 2005/1012
 According to International Patent Classification (IPC) or to both national classification and IPC

B. FIELDS SEARCHED
 Minimum documentation searched (classification system followed by classification symbols)
IPC(8): A61N 5/10; G21K 1/02; A61B 6/03, 6/00; H01J 37/30, 37/317 (2014.01)
CPC: A61B 2018/00642, 2018/00684; A61N 2005/1012, 2005/0654

Documentation searched other than minimum documentation to the extent that such documents are included in the fields searched

Electronic data base consulted during the international search (name of data base and, where practicable, search terms used)
 MicroPatent (US Granted, US Applications, EP-A, EP-B, WO, JP, DE-G, DE-A, DE-T, DE-U, GB-A, FR-A); DialogPro (Derwent, INSPEC, NTIS, PASCAL, Current Contents Search, Dissertation Abstracts Online, Inside Conferences); IEEE.org; IP.com; Proquest.com; Google; Google Scholar; KEYWORDS: microbeam, radiation therapy, magnetic field, beam width

C. DOCUMENTS CONSIDERED TO BE RELEVANT

Category*	Citation of document, with indication, where appropriate, of the relevant passages	Relevant to claim No.
X --- Y	US 5,339,347 (SLATKIN, D. et al.) August 26, 1994; abstract; columns 4-8, 13, 15; lines 1-11, 1-35, 20-30, 41-53, 67-68	1-2, 8-9, 11-12, 18-20 ----- 3-7, 10, 13-17
Y	US 2010/0329413 A1 (ZHOU, O et al.) December 30, 2010; figures 1A, 2; paragraphs [0025, 0040]	3-6, 13-16
Y	US 4,755,685 (KAWANAMI, Y. et al.) July 05, 1988; figure 5; column 5; lines 10-20	7, 17
Y	US 2006/0176997 A1 (DILMANIAN, F. et al.) August 10, 2006; paragraphs [0095, 0157, 0159]	10

Further documents are listed in the continuation of Box C.

* Special categories of cited documents:

"A" document defining the general state of the art which is not considered to be of particular relevance	"T" later document published after the international filing date or priority date and not in conflict with the application but cited to understand the principle or theory underlying the invention
"E" earlier application or patent but published on or after the international filing date	"X" document of particular relevance; the claimed invention cannot be considered novel or cannot be considered to involve an inventive step when the document is taken alone
"L" document which may throw doubts on priority claim(s) or which is cited to establish the publication date of another citation or other special reason (as specified)	"Y" document of particular relevance; the claimed invention cannot be considered to involve an inventive step when the document is combined with one or more other such documents, such combination being obvious to a person skilled in the art
"O" document referring to an oral disclosure, use, exhibition or other means	"&" document member of the same patent family
"P" document published prior to the international filing date but later than the priority date claimed	

Date of the actual completion of the international search 21 August 2014 (21.08.2104)	Date of mailing of the international search report 08 OCT 2014
--	--

Name and mailing address of the ISA/US Mail Stop PCT, Attn: ISA/US, Commissioner for Patents P.O. Box 1450, Alexandria, Virginia 22313-1450 Facsimile No. 571-273-3201	Authorized officer: Shane Thomas PCT Helpdesk: 571-272-4300 PCT OSP: 571-272-7774
---	--