



(12) **United States Design Patent**
Hu

(10) **Patent No.:** **US D1,007,160 S**
(45) **Date of Patent:** **** Dec. 12, 2023**

(54) **HAT RACK**

(71) Applicant: **Lan Hu**, Shenzhen (CN)

(72) Inventor: **Lan Hu**, Shenzhen (CN)

(**) Term: **15 Years**

(21) Appl. No.: **29/887,098**

(22) Filed: **Mar. 17, 2023**

(30) **Foreign Application Priority Data**

Nov. 15, 2022 (CN) 202230761285.6

(51) **LOC (14) Cl.** **06-08**

(52) **U.S. Cl.**
USPC **D6/323**

(58) **Field of Classification Search**
USPC D6/315-328, 512-514, 552, 553, 567,
D6/569, 572, 678.4, 680.3, 681.1, 682,
D6/682.5; D8/370, 372
CPC A47G 25/32; A47G 25/28; A47G 25/743;
A47G 25/26; A47G 25/30; A47G
25/1442; A47G 25/06; A47G 25/38;
A47G 25/50; A47G 25/06; A47G 25/74;
A47G 25/1414; A47G 25/34; A47G
29/08; A47G 29/00;

(Continued)

(56) **References Cited**

U.S. PATENT DOCUMENTS

621,911 A * 3/1899 Farwell A47G 25/10
211/30
939,352 A * 11/1909 Truitt A47G 25/10
211/32

(Continued)

Primary Examiner — Lauren R Calve

(74) *Attorney, Agent, or Firm* — Jose Cherson Weissbrot

(57) **CLAIM**

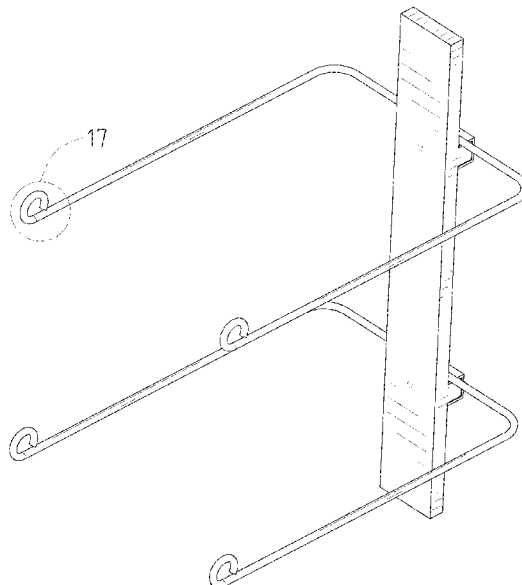
The ornamental design for a hat rack, as shown and described.

DESCRIPTION

FIG. 1 is a first perspective view of a first embodiment of a hat rack showing my new design;
FIG. 2 is a second perspective view of the first embodiment thereof;
FIG. 3 is a front view of the first embodiment thereof;
FIG. 4 is a back view of the first embodiment thereof;
FIG. 5 is a left side view of the first embodiment thereof;
FIG. 6 is a right side view of the first embodiment thereof;
FIG. 7 is a top view of the first embodiment thereof;
FIG. 8 is a bottom view of the first embodiment thereof;
FIG. 9 is a first perspective view of a second embodiment of a hat rack showing my new design;
FIG. 10 is a second perspective view of the second embodiment thereof;
FIG. 11 is a front view of the second embodiment thereof;
FIG. 12 is a back view of the second embodiment thereof;
FIG. 13 is a left side view of the second embodiment thereof;
FIG. 14 is a right side view of the second embodiment thereof;
FIG. 15 is a top view of the second embodiment thereof;
FIG. 16 is a bottom view of the second embodiment thereof;
FIG. 17 is a partial enlarged view of the first embodiment according to the short dash-long dash circle 17 shown in FIG. 1; and,
FIG. 18 is a partial enlarged view of the second embodiment according to the short dash-long dash circle 18 shown in FIG. 9.

The broken lines shown in the drawings depict portions of the hat rack that form no part of the claimed design.
The short dash-long dash lines shown represent the boundaries of the partial enlarged views and form no part of the claimed design.

1 Claim, 18 Drawing Sheets



(58) **Field of Classification Search**

CPC .. A47F 5/0006; A47F 7/19; A47F 7/12; A47F
5/01; A47F 5/103; A47F 5/0068; A47F
5/13; A47F 13/085; A47F 5/00; A47F
5/08; A47F 5/0838; A47F 1/121; A47F
7/285; A47F 5/0031; A47F 7/02; A47F
7/143; A47F 5/0056

See application file for complete search history.

(56) **References Cited**

U.S. PATENT DOCUMENTS

2,222,831 A * 11/1940 Bitney B65H 75/366
211/85.5
2,535,136 A * 12/1950 Jacobson A47G 25/10
211/32
D163,156 S * 5/1951 Zarling 211/41.11
2,931,513 A * 4/1960 Cignoli A47F 5/08
211/35
3,602,370 A * 8/1971 Jerch A47F 5/13
211/49.1
D259,300 S * 5/1981 Vreeken D3/9
D370,787 S * 6/1996 Davis D6/320
D408,638 S * 4/1999 Bonham D6/320
6,454,105 B1 * 9/2002 Medina A63B 71/0045
D6/552
9,179,789 B1 * 11/2015 Fitzgerald A63C 11/028
D858,116 S * 9/2019 Wierbicki D6/323
D965,243 S 9/2022 Wang
D965,309 S 10/2022 Liu
D969,502 S 11/2022 Chen
2016/0367049 A1 * 12/2016 Wirengard A47F 5/0853

* cited by examiner

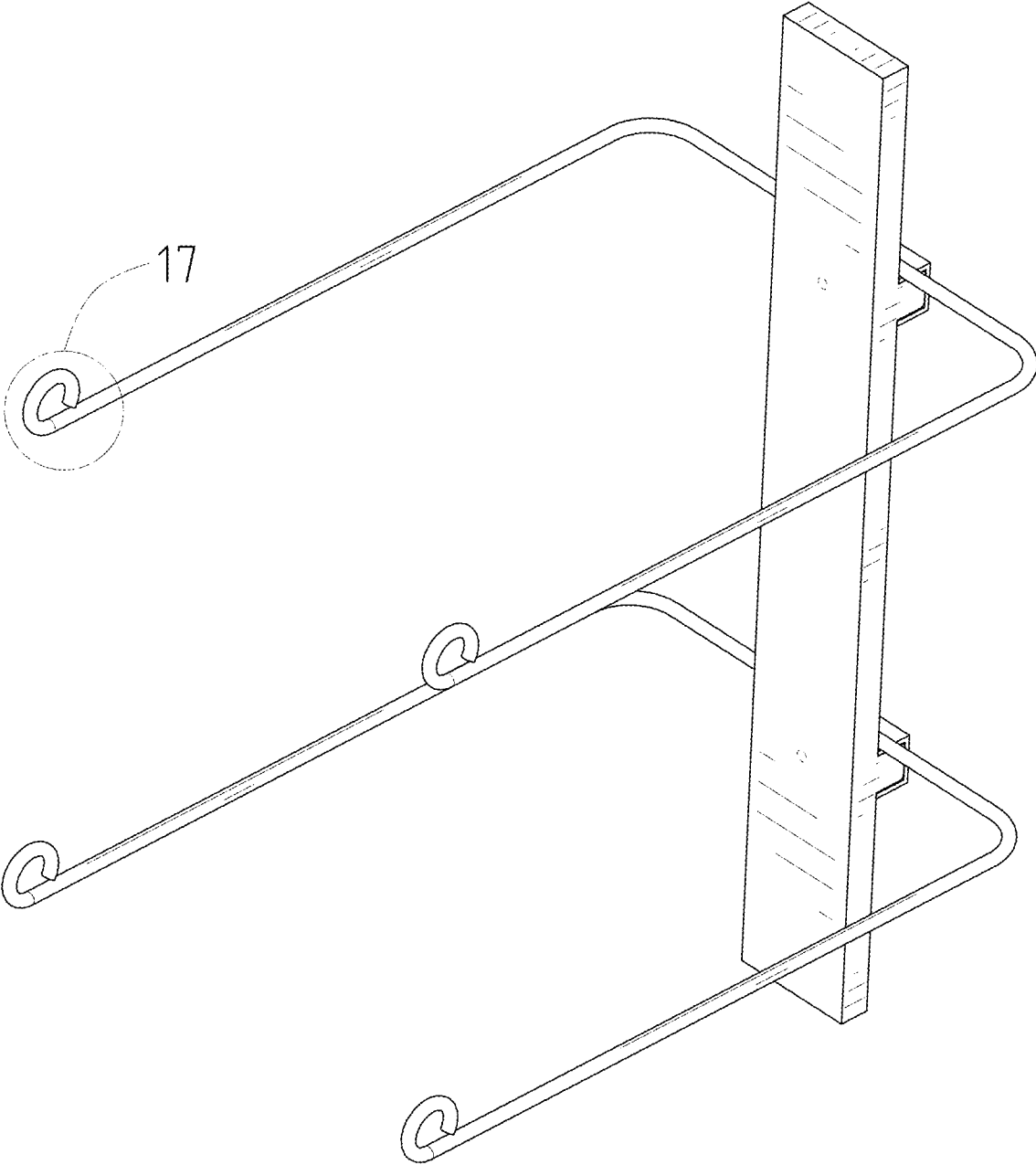


FIG. 1

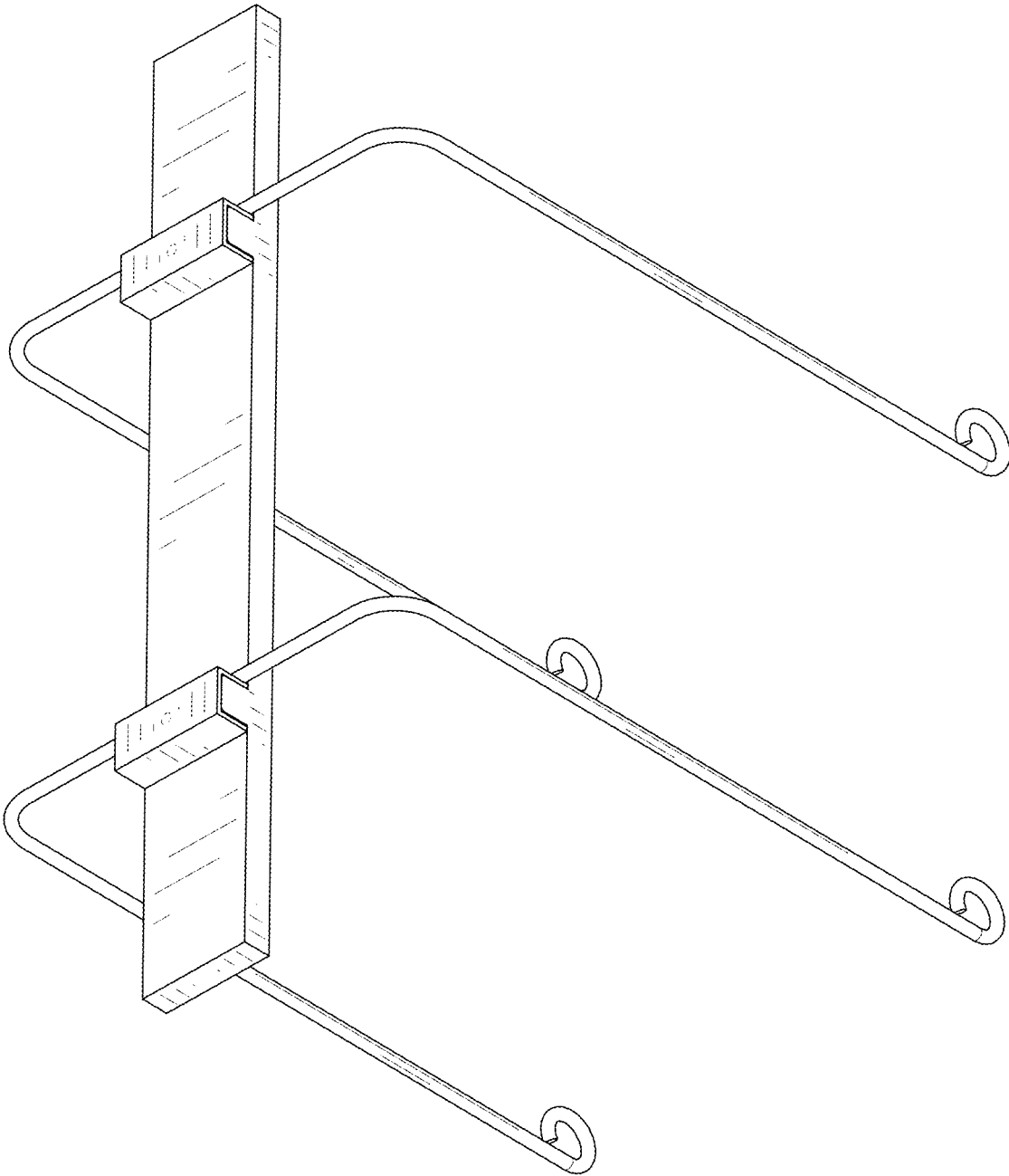


FIG. 2

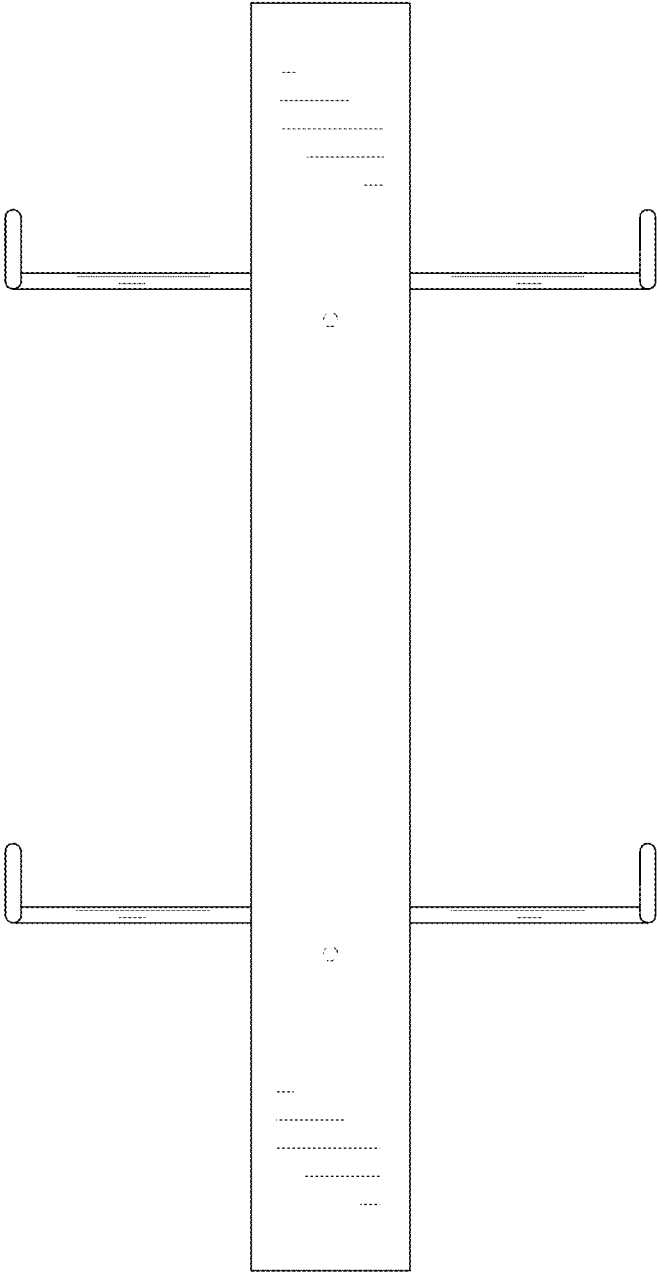


FIG. 3

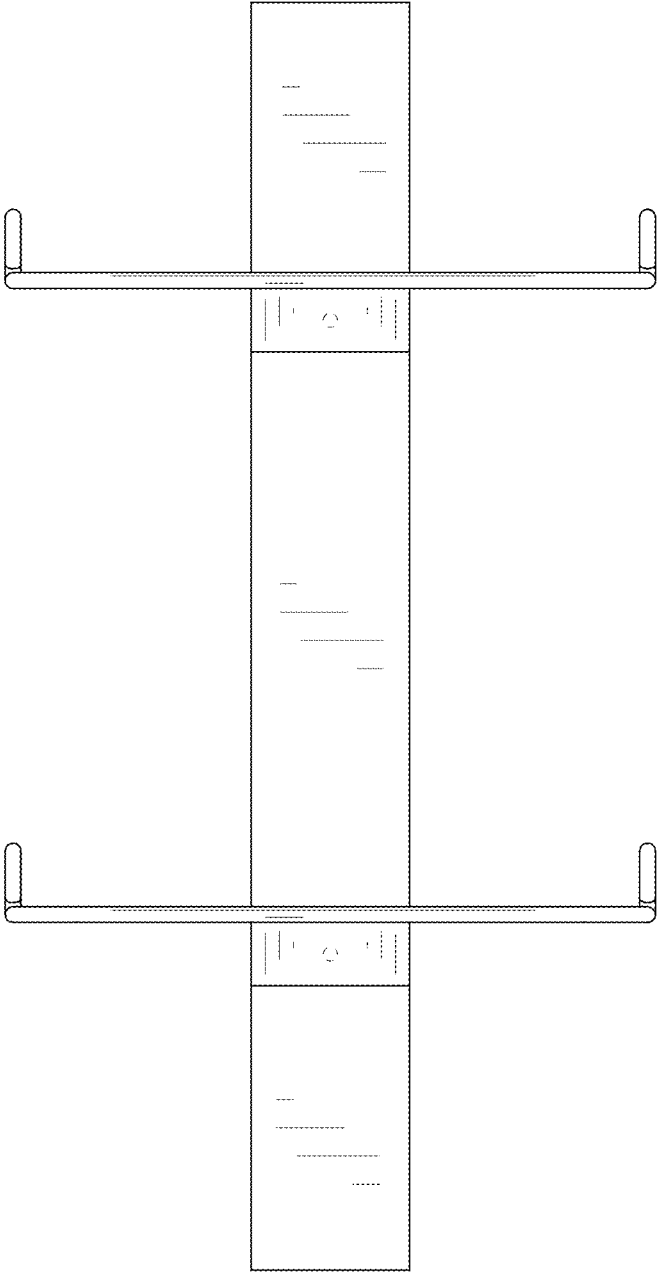


FIG. 4

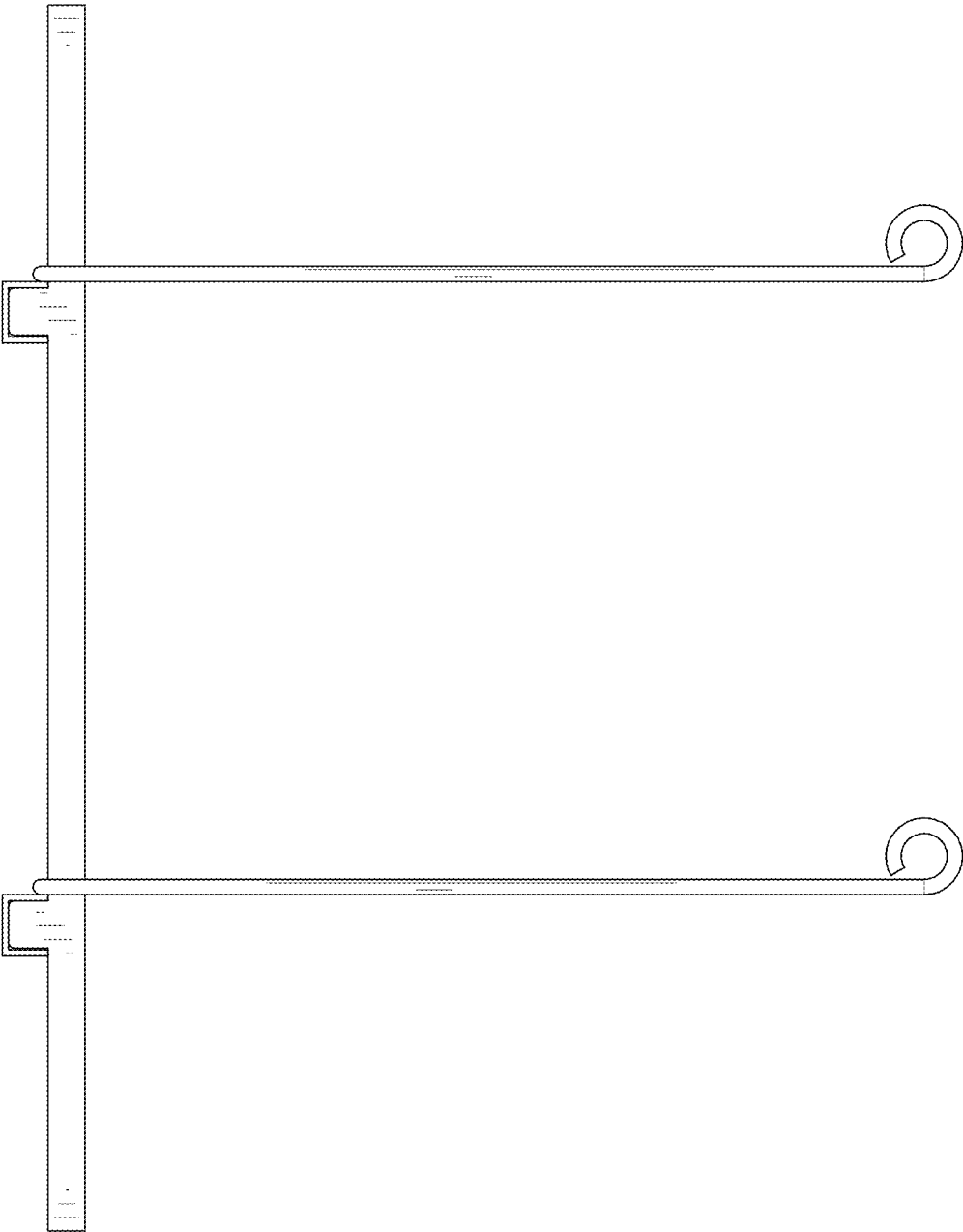


FIG. 5

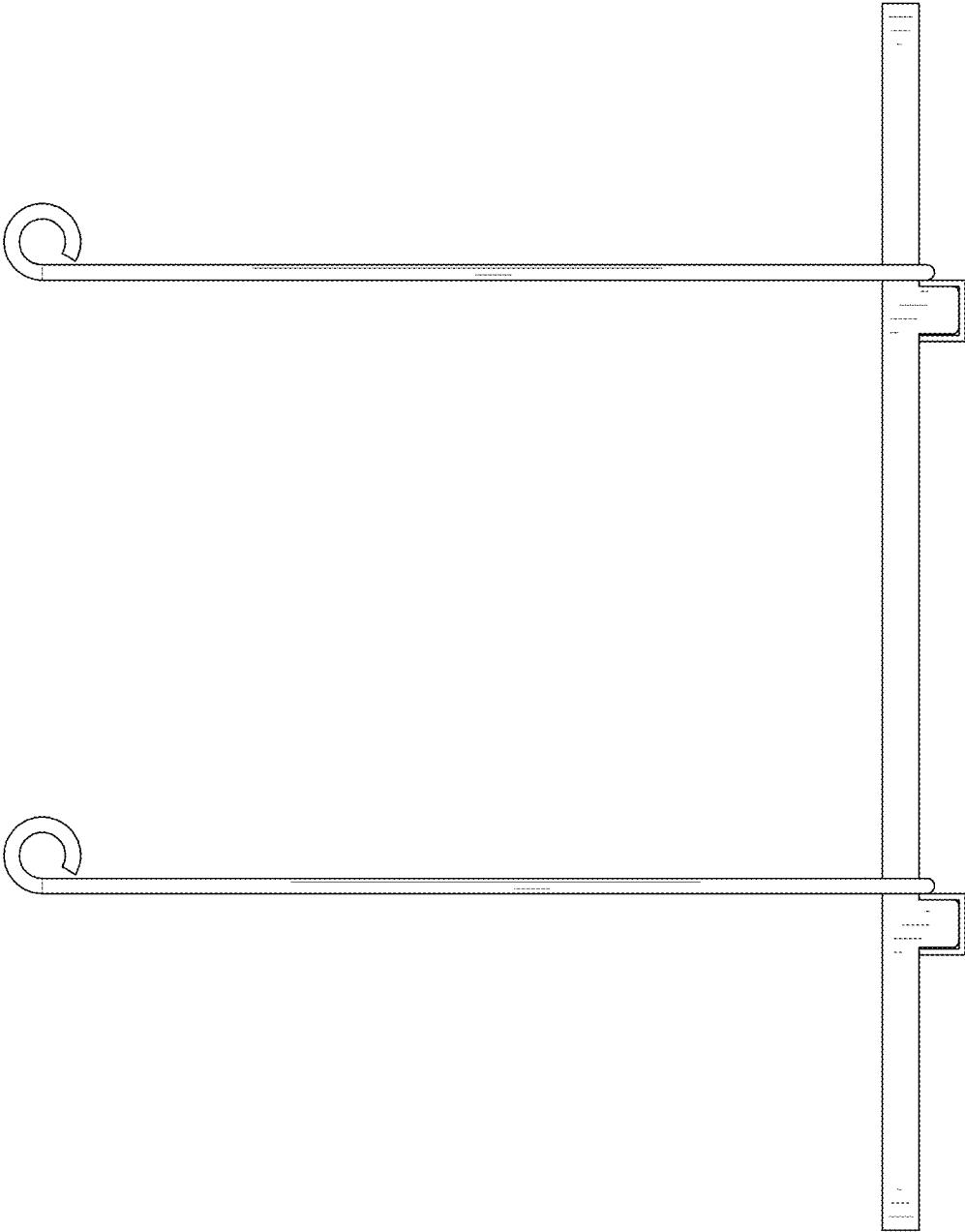


FIG. 6

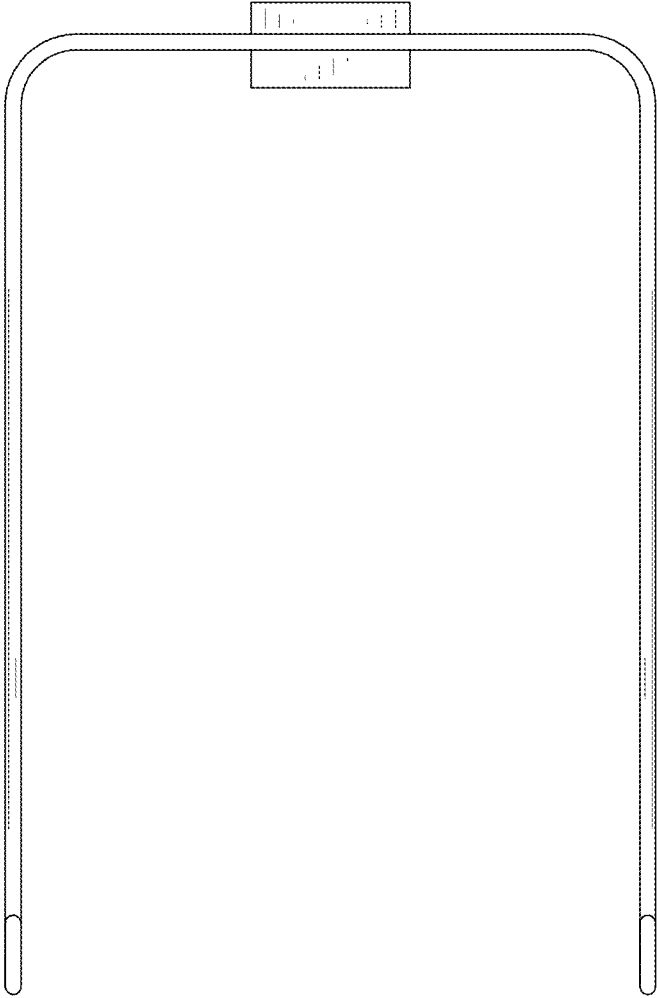


FIG. 7

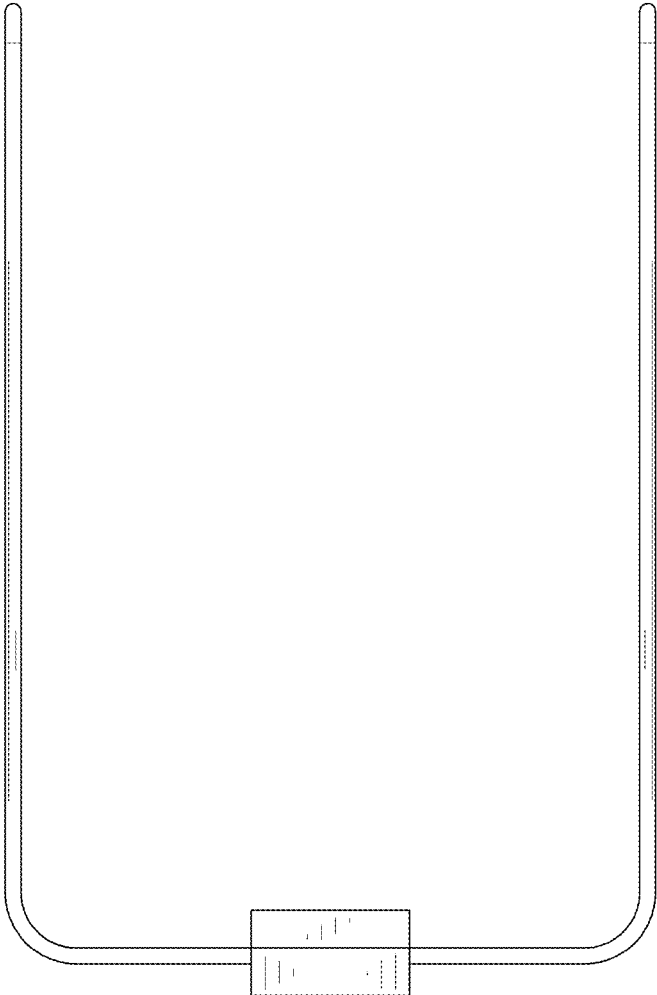


FIG. 8

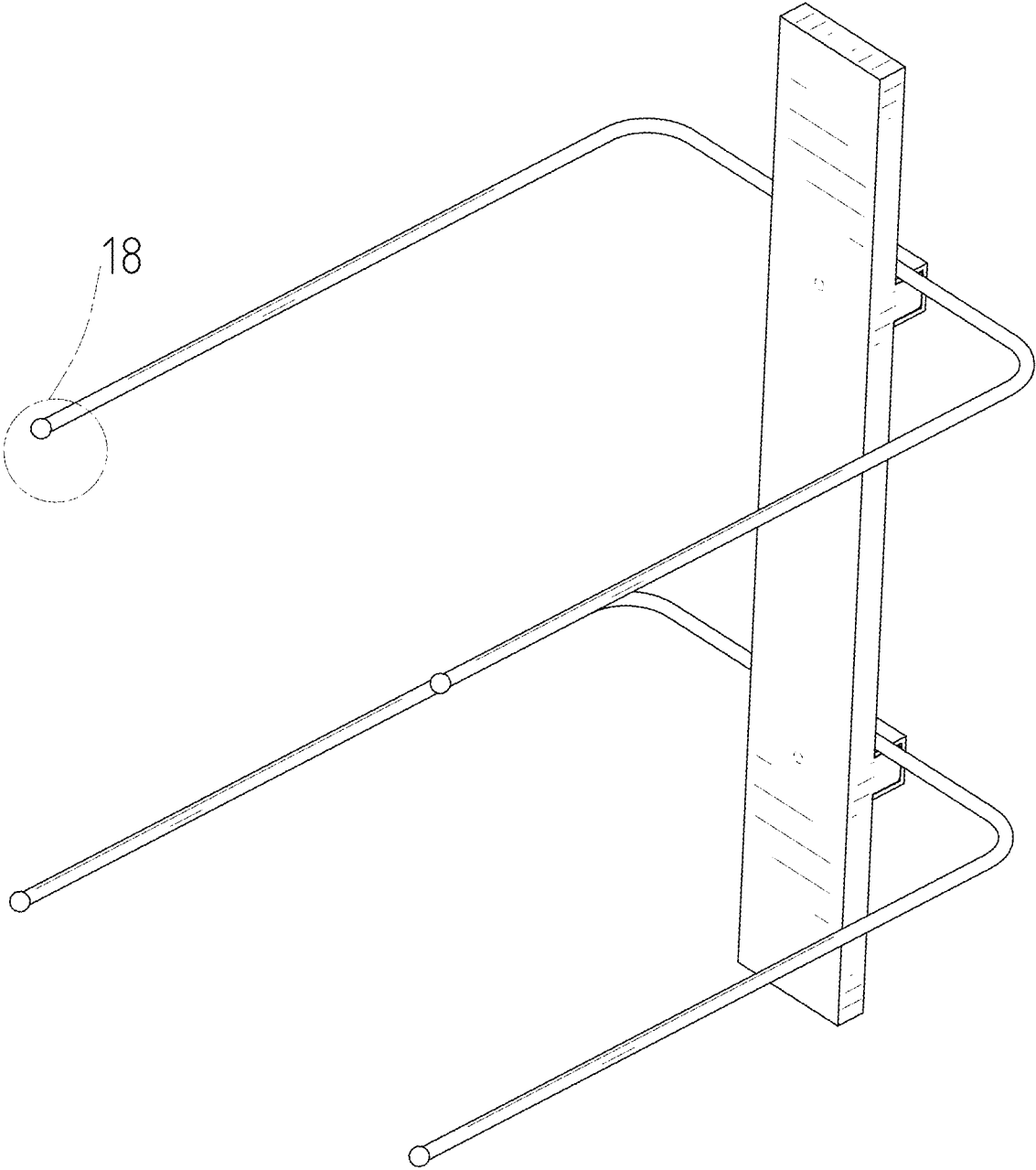


FIG. 9

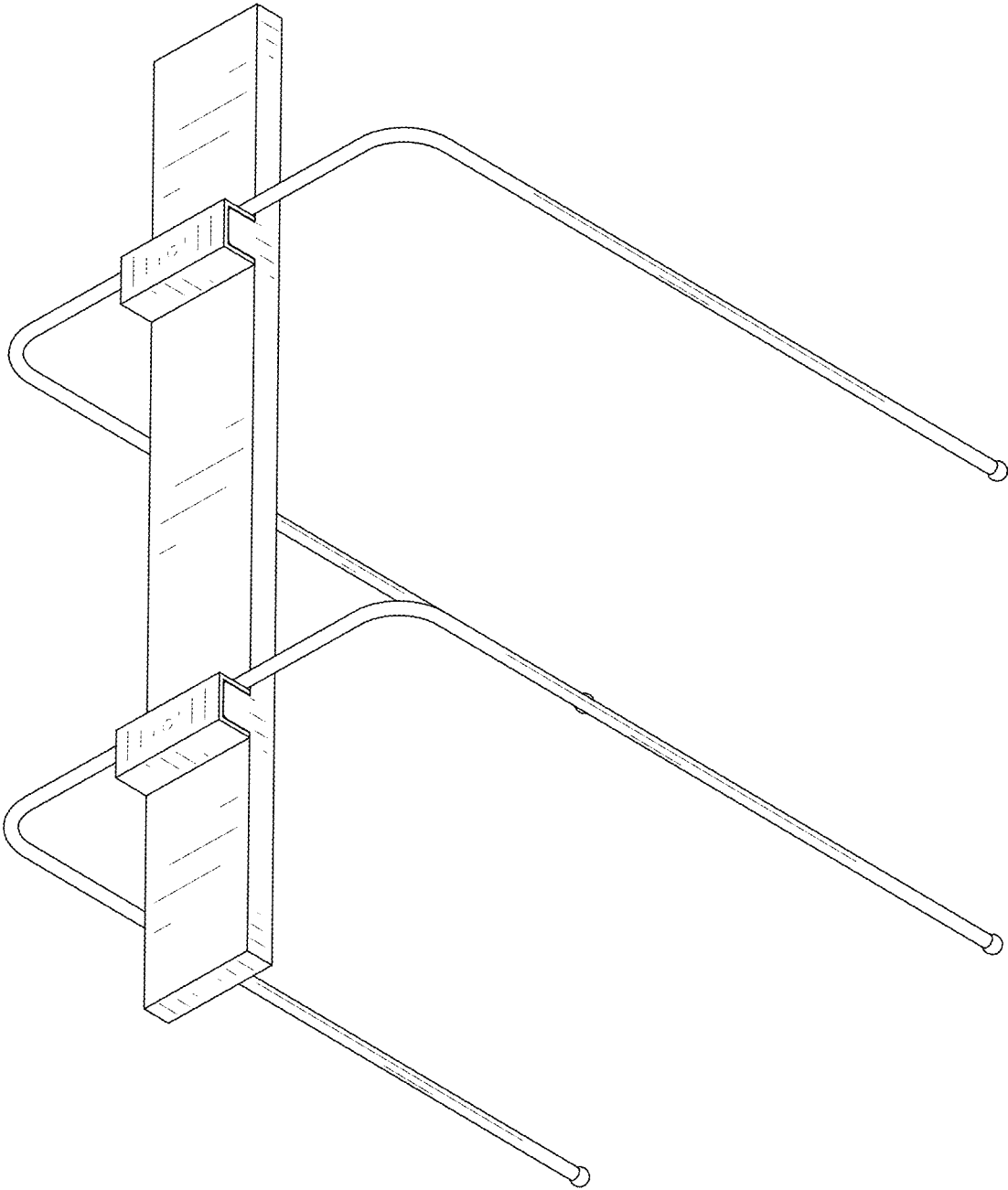


FIG. 10

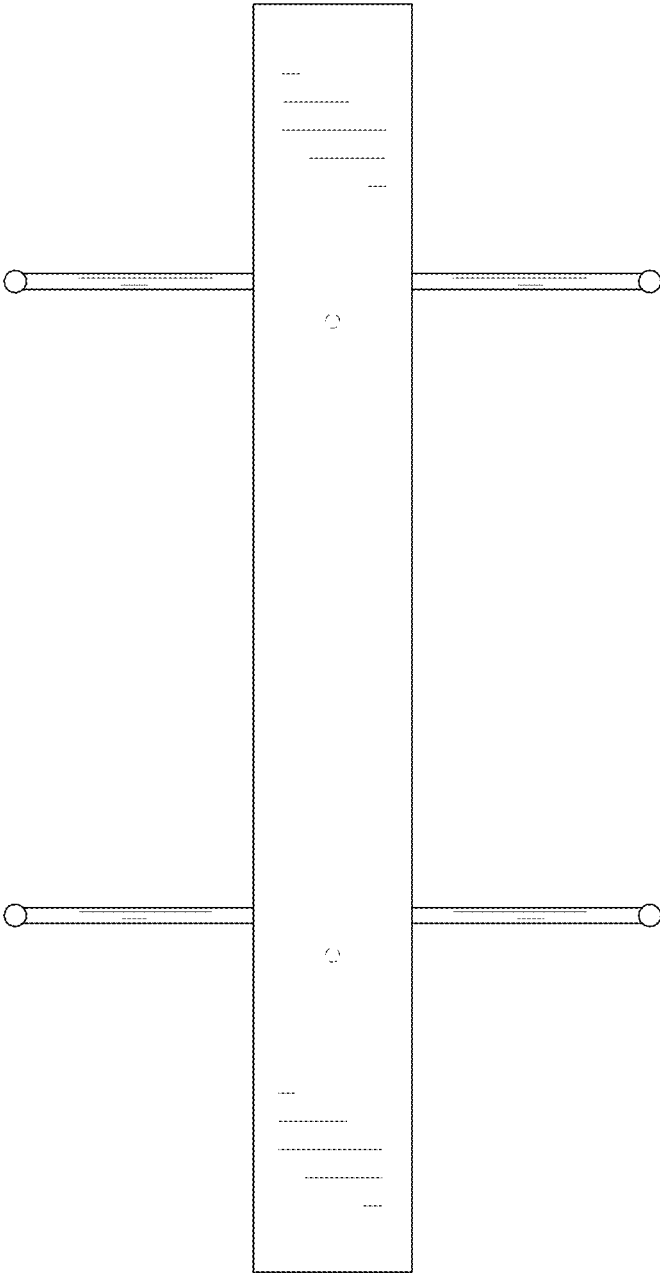


FIG. 11

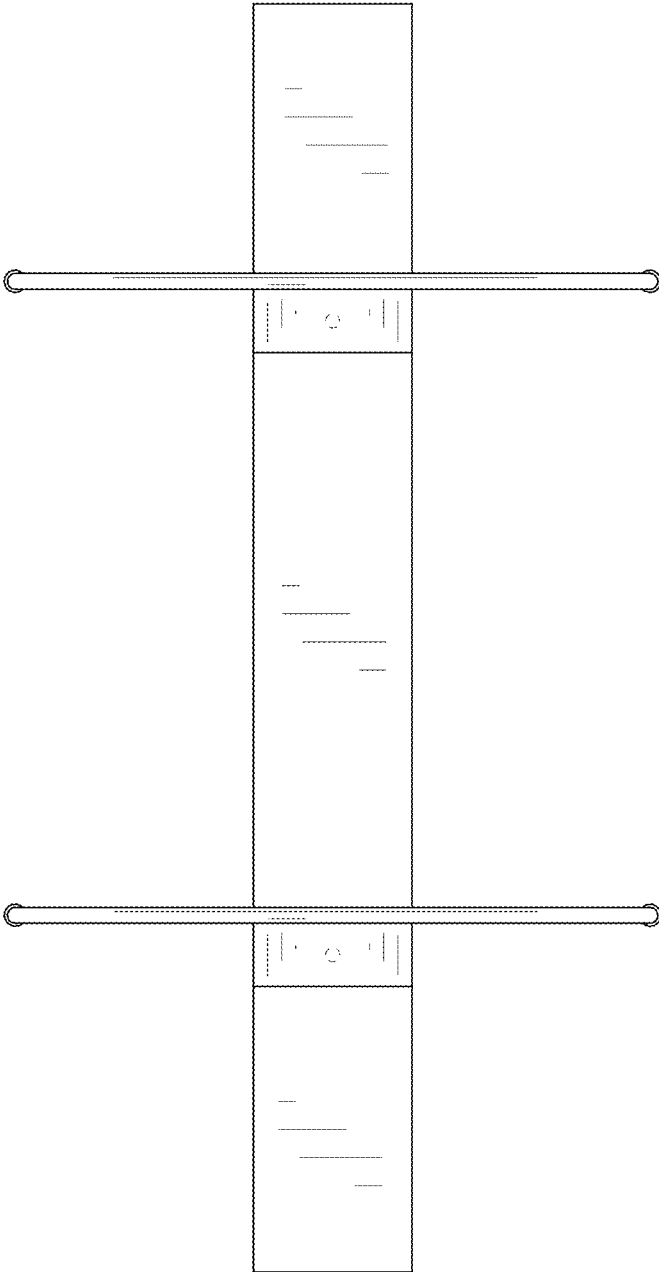


FIG. 12

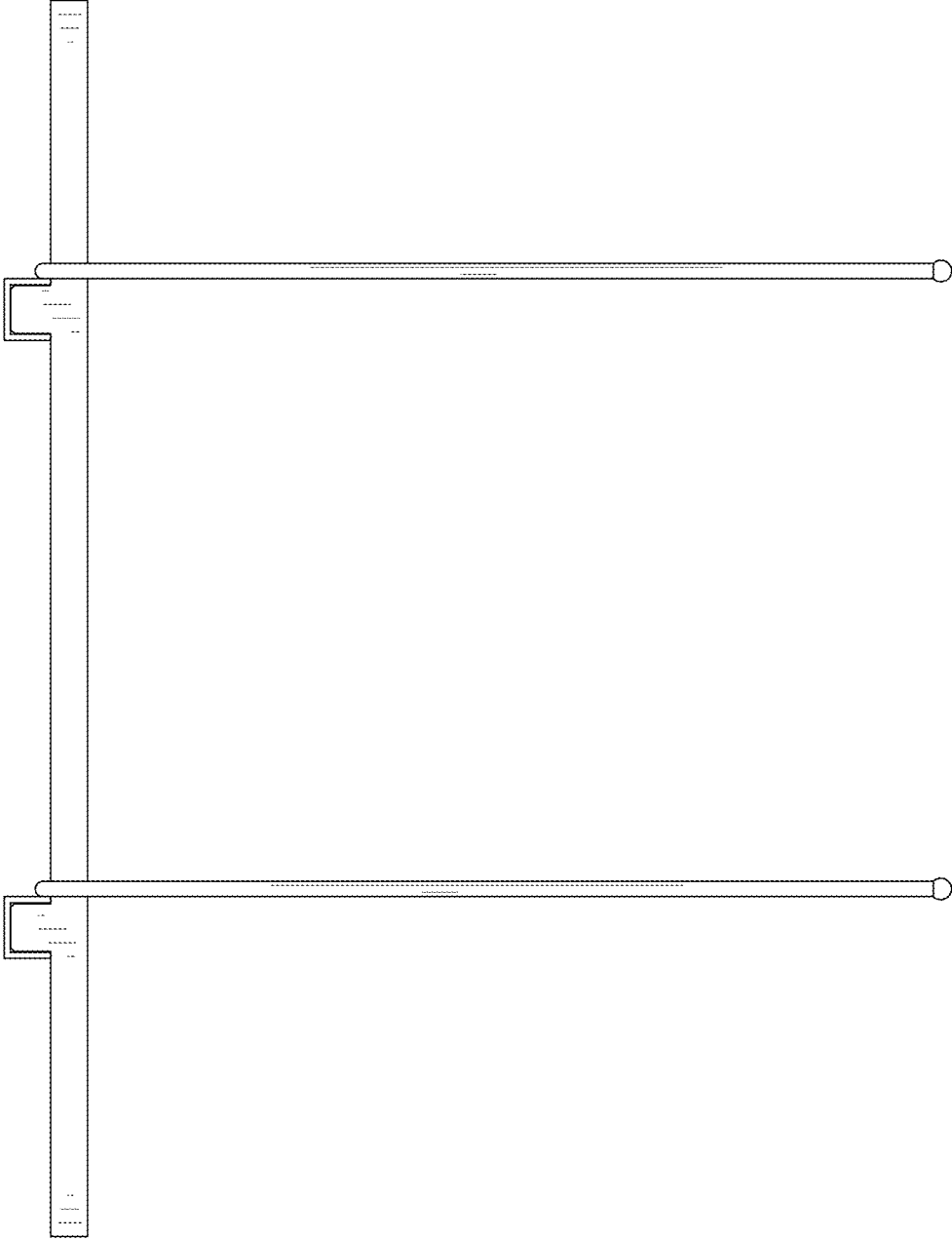


FIG. 13

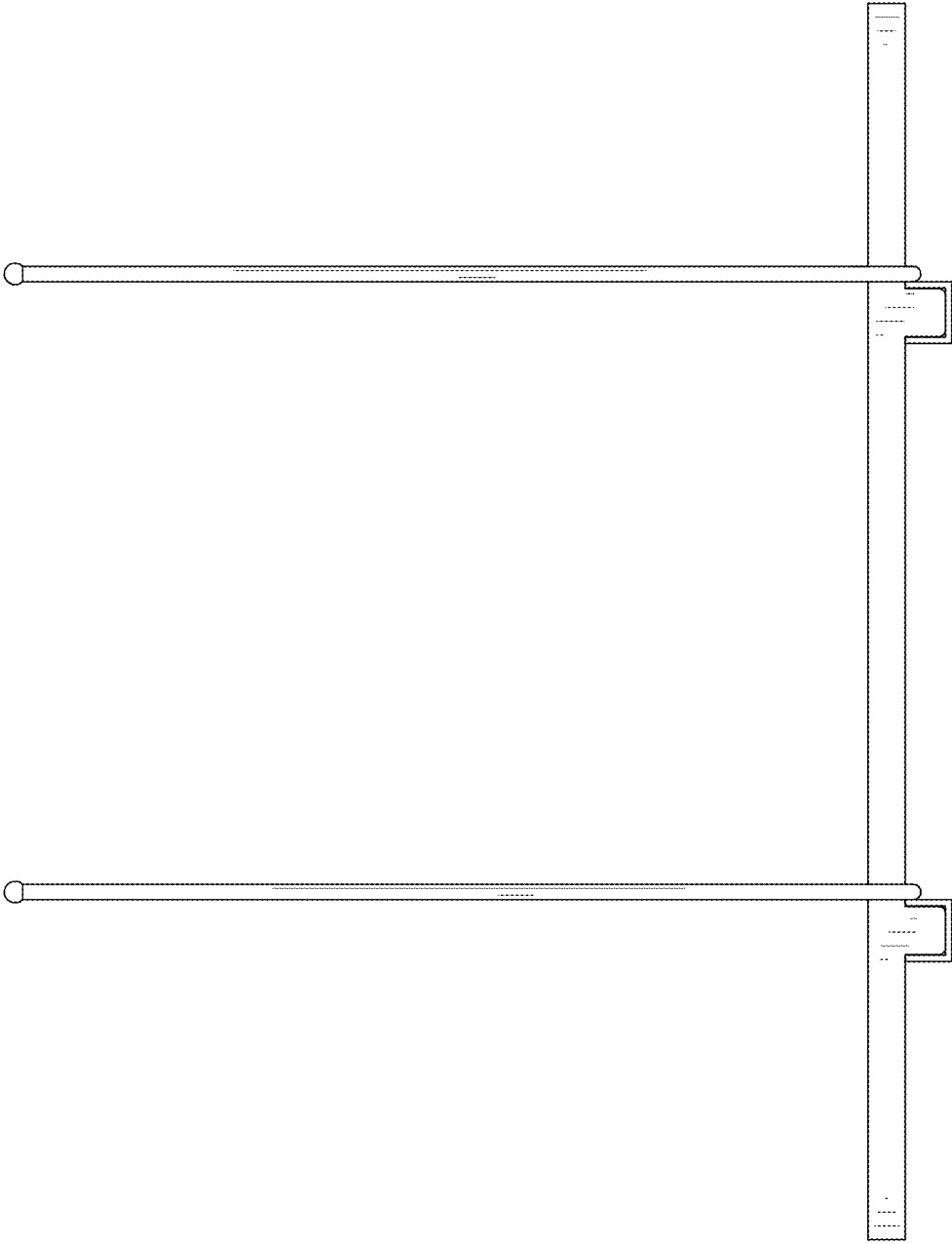


FIG. 14

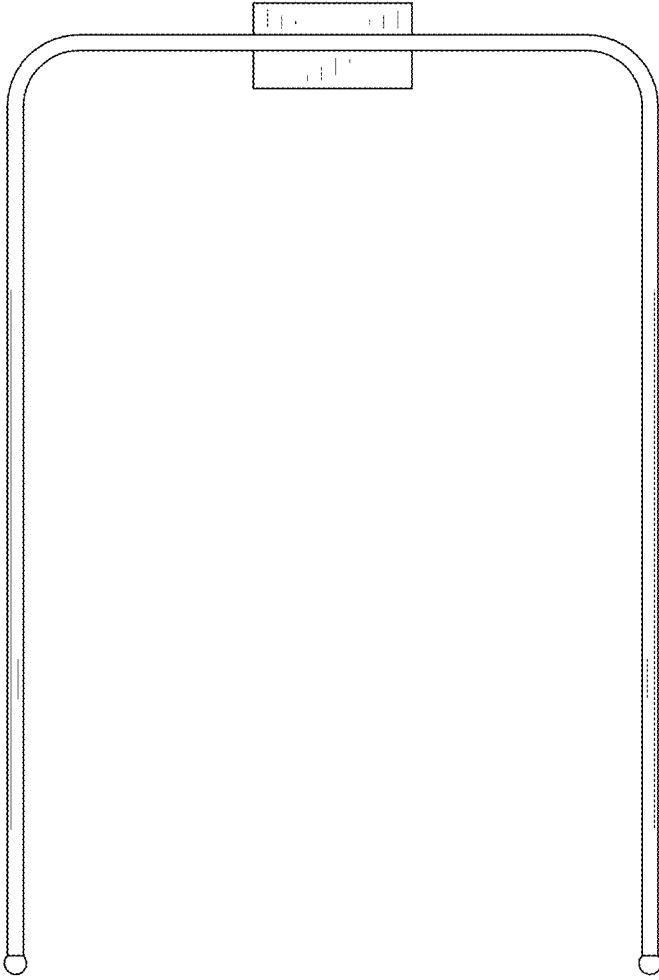


FIG. 15

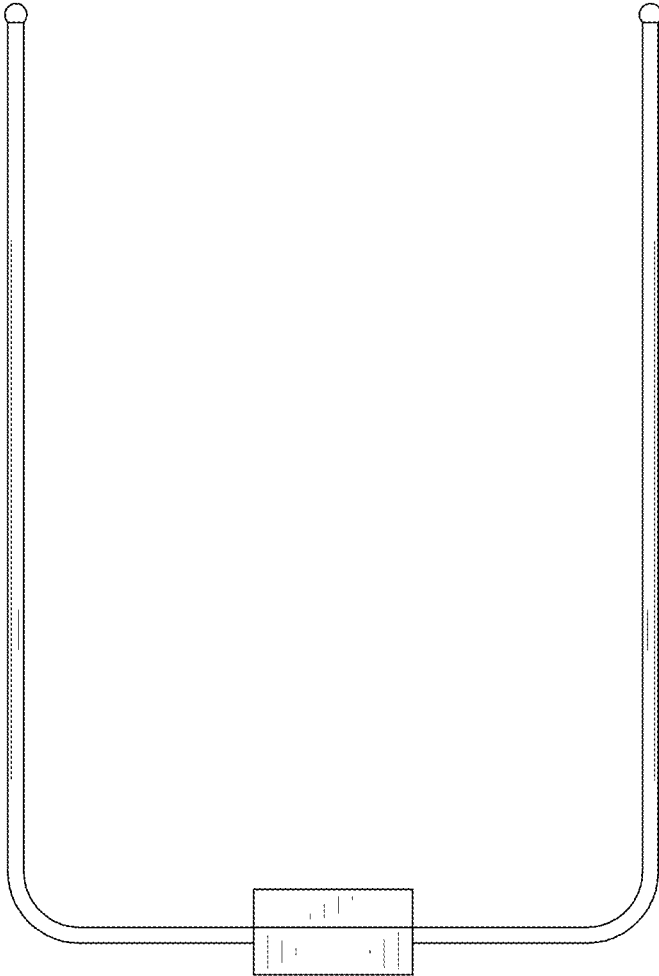


FIG. 16

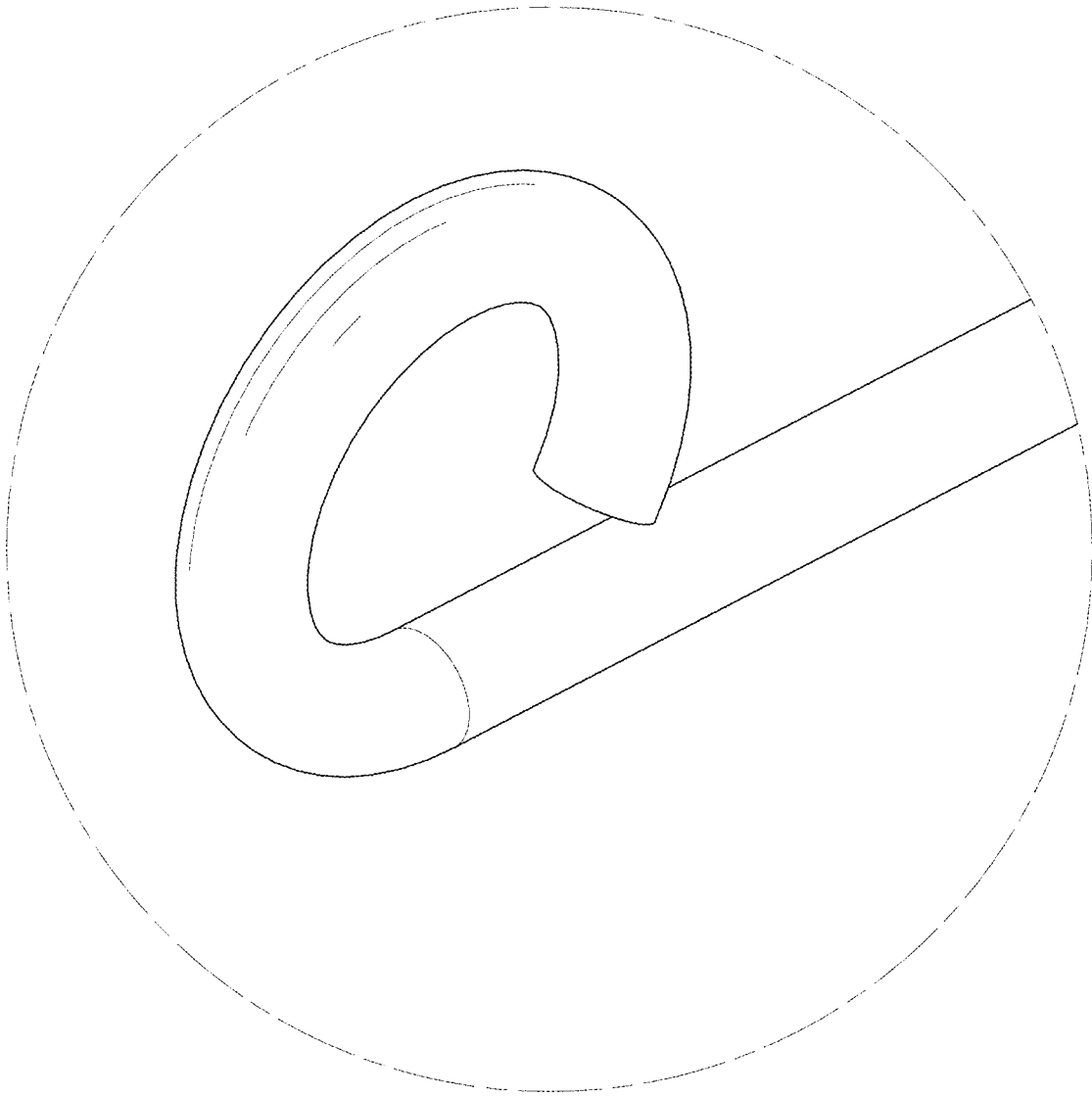


FIG. 17

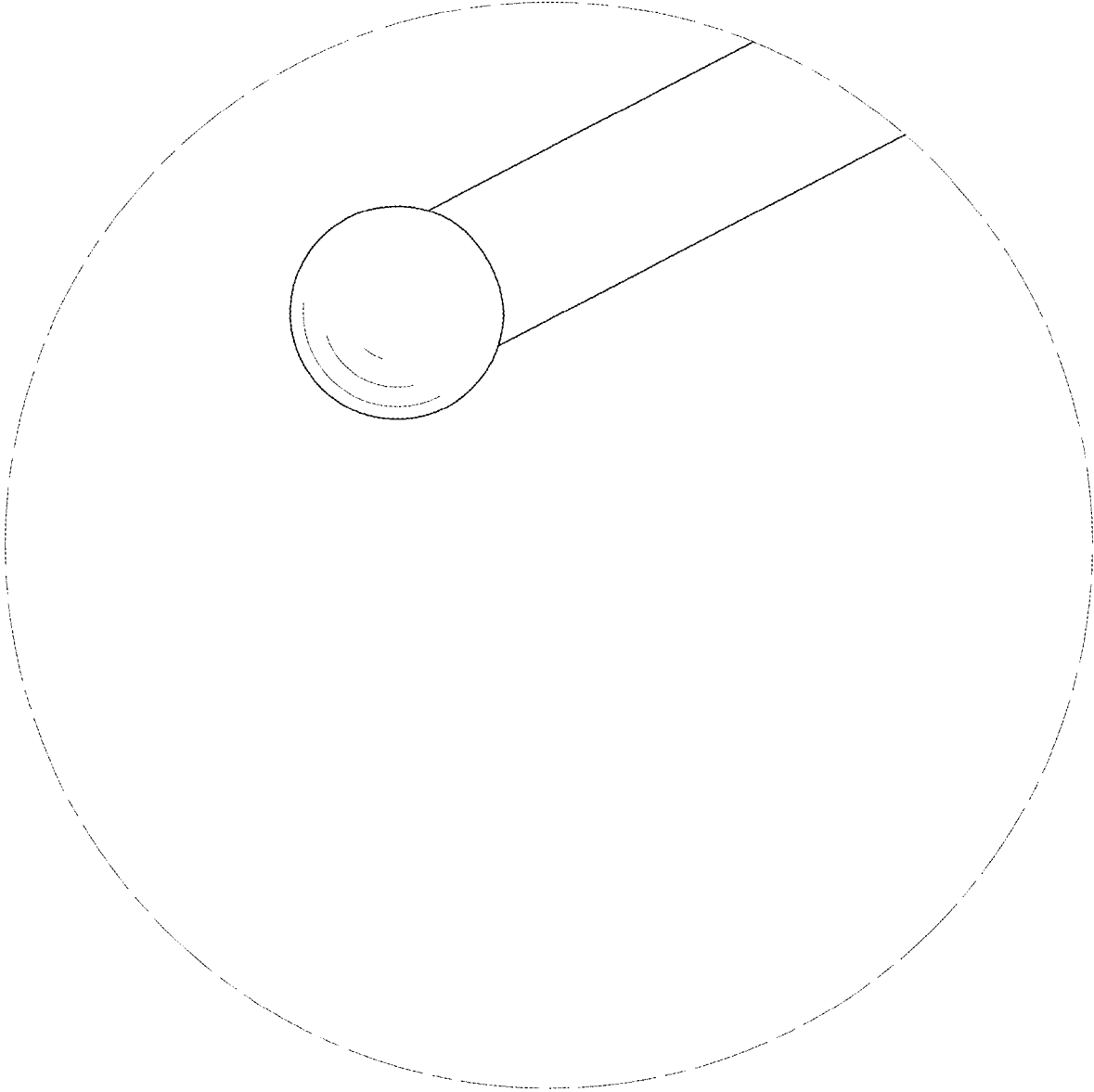


FIG. 18