

(19) World Intellectual Property Organization
International Bureau



(43) International Publication Date
7 August 2008 (07.08.2008)

PCT

(10) International Publication Number
WO 2008/095001 A3

- (51) International Patent Classification:
A63F 9/00 (2006.01)
- (21) International Application Number:
PCT/US2008/052461
- (22) International Filing Date: 30 January 2008 (30.01.2008)
- (25) Filing Language: English
- (26) Publication Language: English
- (30) Priority Data:
11/669,996 1 February 2007 (01.02.2007) US
- (71) Applicant (for all designated States except US): **CFPH, LLC** [US/US]; 110 East 59th Street, New York, NY 10022 (US).
- (71) Applicants and
- (72) Inventors: **LUTNICK, Howard, W.** [US/US]; 11 East 71st Street, New York, NY 10021 (US). **MERKEL, Stephen, M.** [US/US]; 19 Grace Court #2b, Brooklyn, NY 11201 (US).
- (74) Agents: **PAPAGEORGIU, Antonio** et al.; Cantor Fitzgerald, L.P., Innovation Division, 110 East 59th Street, 6th Floor, New York, NY 10022 (US).

- (81) Designated States (unless otherwise indicated, for every kind of national protection available): AE, AG, AL, AM, AO, AT, AU, AZ, BA, BB, BG, BH, BR, BW, BY, BZ, CA, CH, CN, CO, CR, CU, CZ, DE, DK, DM, DO, DZ, EC, EE, EG, ES, FI, GB, GD, GE, GH, GM, GT, HN, HR, HU, ID, IL, IN, IS, JP, KE, KG, KM, KN, KP, KR, KZ, LA, LC, LK, LR, LS, LT, LU, LY, MA, MD, ME, MG, MK, MN, MW, MX, MY, MZ, NA, NG, NI, NO, NZ, OM, PG, PH, PL, PT, RO, RS, RU, SC, SD, SE, SG, SK, SL, SM, SV, SY, TJ, TM, TN, TR, TT, TZ, UA, UG, US, UZ, VC, VN, ZA, ZM, ZW.
- (84) Designated States (unless otherwise indicated, for every kind of regional protection available): ARIPO (BW, GH, GM, KE, LS, MW, MZ, NA, SD, SL, SZ, TZ, UG, ZM, ZW), Eurasian (AM, AZ, BY, KG, KZ, MD, RU, TJ, TM), European (AT, BE, BG, CH, CY, CZ, DE, DK, EE, ES, FI, FR, GB, GR, HR, HU, IE, IS, IT, LT, LU, LV, MC, MT, NL, NO, PL, PT, RO, SE, SI, SK, TR), OAPI (BF, BJ, CF, CG, CI, CM, GA, GN, GQ, GW, ML, MR, NE, SN, TD, TG).

Declaration under Rule 4.17:

— as to applicant's entitlement to apply for and be granted a patent (Rule 4.17(ii))

Published:

— with international search report

(88) Date of publication of the international search report:
25 September 2008

(54) Title: CARD GAME WITH COUNTING

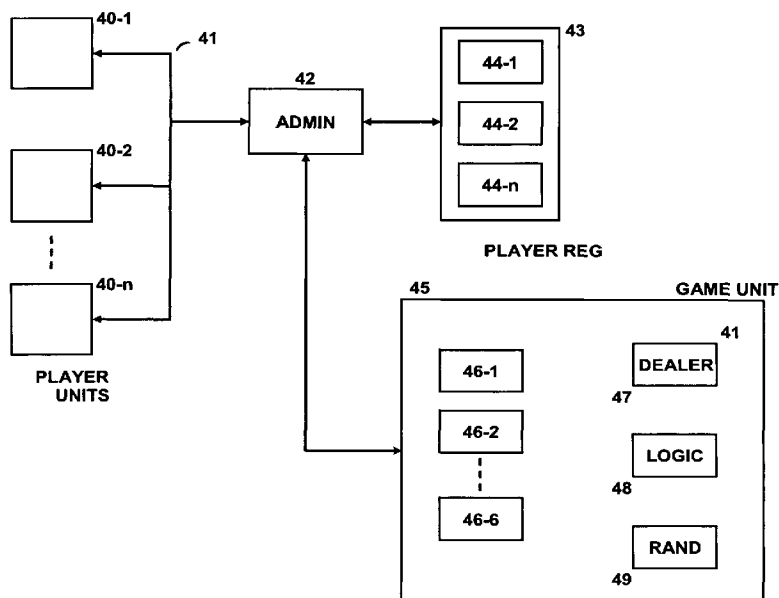


FIGURE 2

(57) Abstract: Various embodiments include determining a value of a statistic describing cards that have been dealt from a deck, and modifying the rules of a game based on the statistic.

WO 2008/095001 A3

INTERNATIONAL SEARCH REPORT

International application No.

PCT/US2008/052461

A. CLASSIFICATION OF SUBJECT MATTER IPC(8) - A63F 9/00 (2008.04) USPC - 273/309 According to International Patent Classification (IPC) or to both national classification and IPC		
B. FIELDS SEARCHED		
Minimum documentation searched (classification system followed by classification symbols) IPC(8) - A63F 9/00 (2008.04) USPC - 273/309		
Documentation searched other than minimum documentation to the extent that such documents are included in the fields searched		
Electronic data base consulted during the international search (name of data base and, where practicable, search terms used) PatBase		
C. DOCUMENTS CONSIDERED TO BE RELEVANT		
Category*	Citation of document, with indication, where appropriate, of the relevant passages	Relevant to claim No.
X ---	US 5,586,766 A (FORTE et al) 24 December 1996 (24.12.1996) entire document	9,10,12 ---
Y		1-8, 11, 13-14
Y	US 5,941,769 A (ORDER) 24 August 1999 (24.08.1999) entire document	1-8,14
Y	US 2005/0130728 A1 (NGUYEN et al) 16 June 2005 (16.06.2005) entire document	11
Y	US 2006/0183540 A1 (GRAUZER et al) 17 August 2006 (17.08.2006) entire document	13
A	US 2002/0195773 A1 (DUNN) 26 December 2002 (26.12.2002) entire document	1-14
<input type="checkbox"/> Further documents are listed in the continuation of Box C. <input type="checkbox"/>		
<p>* Special categories of cited documents:</p> <p>"A" document defining the general state of the art which is not considered to be of particular relevance</p> <p>"E" earlier application or patent but published on or after the international filing date</p> <p>"L" document which may throw doubts on priority claim(s) or which is cited to establish the publication date of another citation or other special reason (as specified)</p> <p>"O" document referring to an oral disclosure, use, exhibition or other means</p> <p>"P" document published prior to the international filing date but later than the priority date claimed</p> <p>"T" later document published after the international filing date or priority date and not in conflict with the application but cited to understand the principle or theory underlying the invention</p> <p>"X" document of particular relevance; the claimed invention cannot be considered novel or cannot be considered to involve an inventive step when the document is taken alone</p> <p>"Y" document of particular relevance; the claimed invention cannot be considered to involve an inventive step when the document is combined with one or more other such documents, such combination being obvious to a person skilled in the art</p> <p>"&" document member of the same patent family</p>		
Date of the actual completion of the international search 23 June 2008		Date of mailing of the international search report 08 JUL 2008
Name and mailing address of the ISA/US Mail Stop PCT, Attn: ISA/US, Commissioner for Patents P.O. Box 1450, Alexandria, Virginia 22313-1450 Facsimile No. 571-273-3201		Authorized officer: Blaine R. Copenheaver PCT Helpdesk: 571-272-4300 PCT OSP: 571-272-7774