



US0D1002292S

(12) **United States Design Patent**
Nozawa

(10) **Patent No.:** **US D1,002,292 S**

(45) **Date of Patent:** **** *Oct. 24, 2023**

(54) **FOOD CONTAINER**

(71) Applicants: **KSFP International**, South Pasadena,
CA (US); **KENSAN Co., Ltd.**, Tokyo
(JP)

(72) Inventor: **Sei Nozawa**, Pasadena, CA (US)

(73) Assignees: **KSFP International**, South Pasadena,
CA (US); **KENSAN Co., Ltd.**, Tokyo
(JP)

(*) Notice: This patent is subject to a terminal disclaimer.

(**) Term: **15 Years**

(21) Appl. No.: **29/823,768**

(22) Filed: **Jan. 19, 2022**

(51) **LOC (14) Cl.** **09-07**

(52) **U.S. Cl.**
USPC **D7/629**

(58) **Field of Classification Search**

USPC D7/397, 399, 400, 601, 602, 629;
D9/414, 416, 424, 425, 426, 430, 432,
D9/761; D3/201, 273
CPC ... B65D 1/26; B65D 1/40; B65D 5/24; B65D
81/34; B65D 81/3453; B65D 2581/34;
B65D 2581/3437

See application file for complete search history.

(56) **References Cited**

U.S. PATENT DOCUMENTS

4,976,370 A * 12/1990 Cassel B65D 1/22
220/792
D408,733 S * 4/1999 McCann D9/423
D439,159 S * 3/2001 Chen D9/425
D449,495 S * 10/2001 Tucker D7/629
D469,689 S * 2/2003 Buchalski D9/425
D606,812 S * 12/2009 Wu D7/629
D614,950 S * 5/2010 Colacitti D7/354

D640,129 S 6/2011 Sifuentes et al.
D649,409 S * 11/2011 Segal D7/629
D649,410 S * 11/2011 Segal D7/629
D656,367 S * 3/2012 Segal D7/629
D665,674 S * 8/2012 Wu D7/629
D696,111 S * 12/2013 Sundry D9/429

(Continued)

Primary Examiner — Andrew Kerr

(74) *Attorney, Agent, or Firm* — Squire Patton Boggs
(US) LLP

(57) **CLAIM**

The ornamental design for a food container, as shown and described.

DESCRIPTION

The file of this patent contains drawing executed in color. The Office upon request and payment of the necessary fee will provide copies of this patent with color drawings.

FIG. 1 is a top perspective view of a food container, showing my new design;

FIG. 2 is a bottom perspective view thereof;

FIG. 3 is a front elevation view thereof;

FIG. 4 is a back elevation view thereof;

FIG. 5 is a right elevation view thereof;

FIG. 6 is a left elevation view thereof;

FIG. 7 is a top plan view thereof;

FIG. 8 is a bottom plan view thereof;

FIG. 9 is a top, front, right side exploded perspective view thereof;

FIG. 10 is a bottom, front, right side exploded perspective view thereof;

FIG. 11 is a front exploded elevation view thereof;

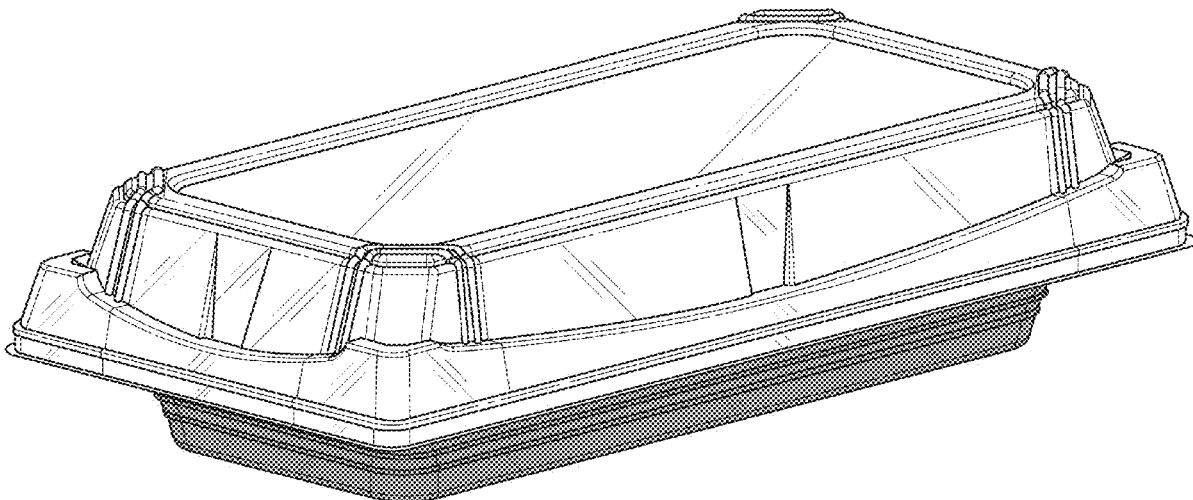
FIG. 12 is a back exploded elevation view thereof;

FIG. 13 is a right exploded elevation view thereof; and,

FIG. 14 is a left exploded elevation view thereof.

Any broken line portions of the figure drawings is included to show unclaimed subject matter only, and forms no part of the claimed design.

1 Claim, 14 Drawing Sheets
(13 of 14 Drawing Sheet(s) Filed in Color)



(56)

References Cited

U.S. PATENT DOCUMENTS

D702,511	S	*	4/2014	Segal	D7/629
D724,903	S	*	3/2015	Chen	D7/629
D755,577	S	*	5/2016	Segal	D7/629
D755,578	S	*	5/2016	Wu	D7/629
D755,579	S	*	5/2016	Wu	D7/629
D777,535	S	*	1/2017	Zemel	D7/629
D801,170	S	*	10/2017	Wu	D9/425
D815,924	S	*	4/2018	Croft	D7/629
D852,036	S	*	6/2019	Lin	D9/425
D854,380	S	*	7/2019	Yang	D7/602
D880,248	S	*	4/2020	Zhen	D7/602
D902,668	S	*	11/2020	Zemel	D7/629
D971,015	S	*	11/2022	Marino	D9/425

* cited by examiner

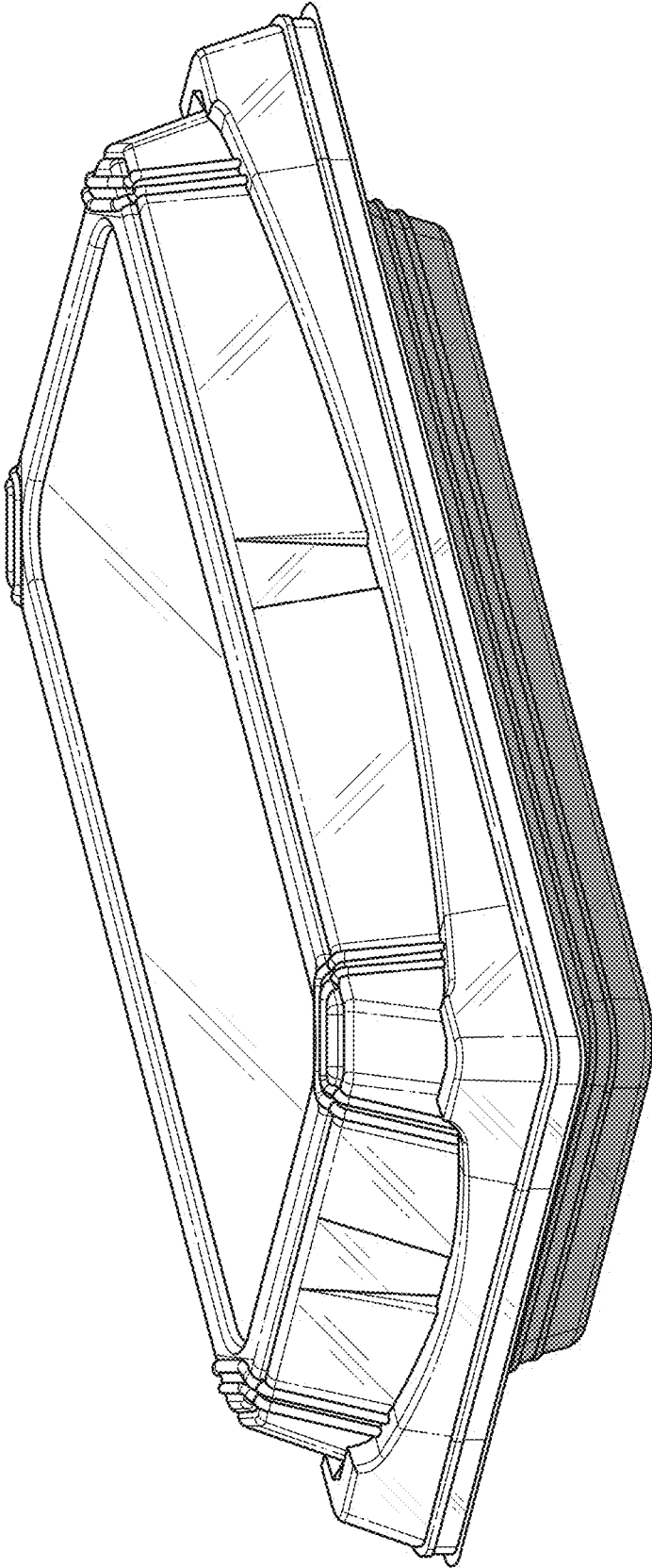


FIG. 1

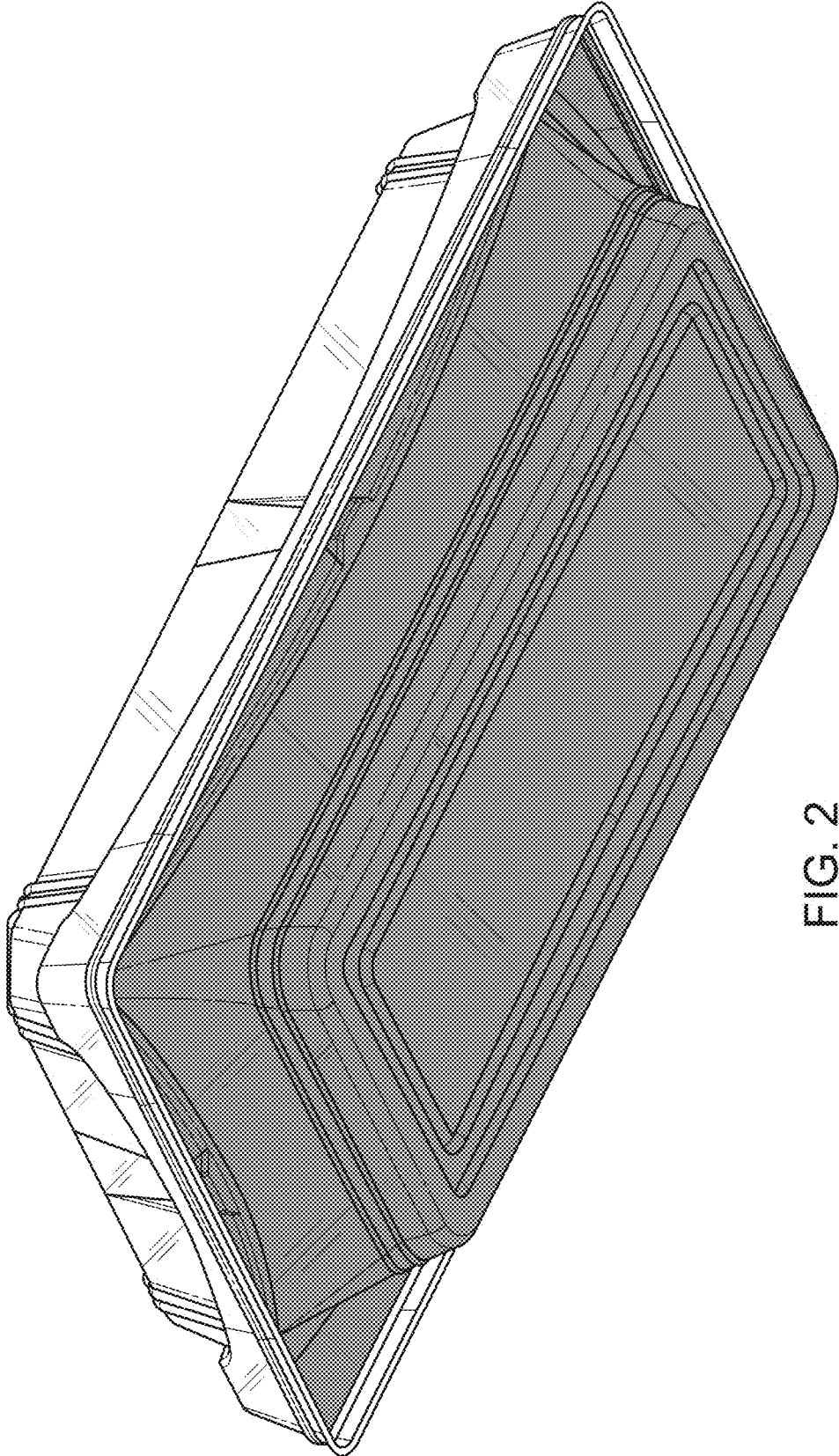


FIG. 2

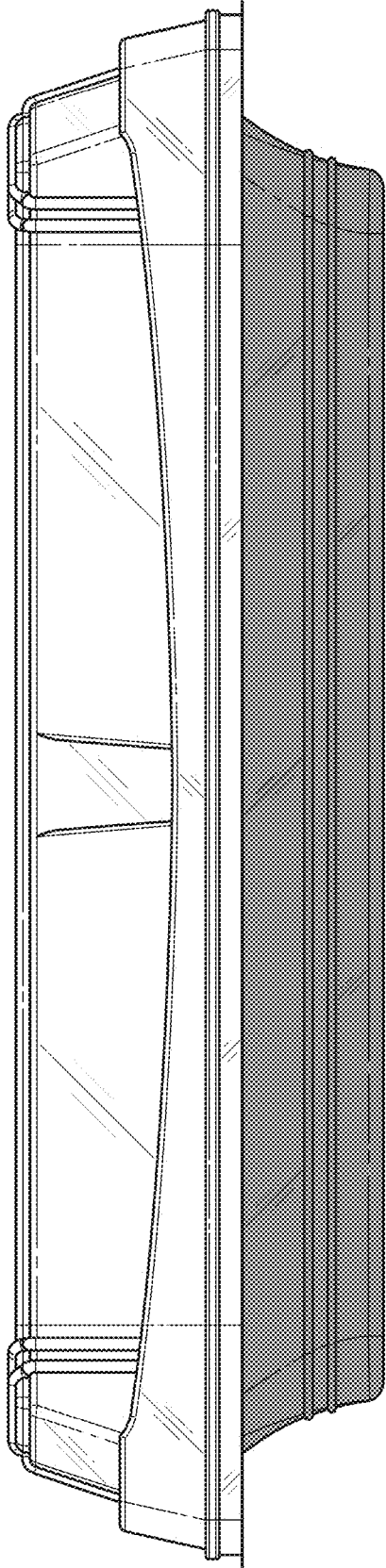


FIG. 3

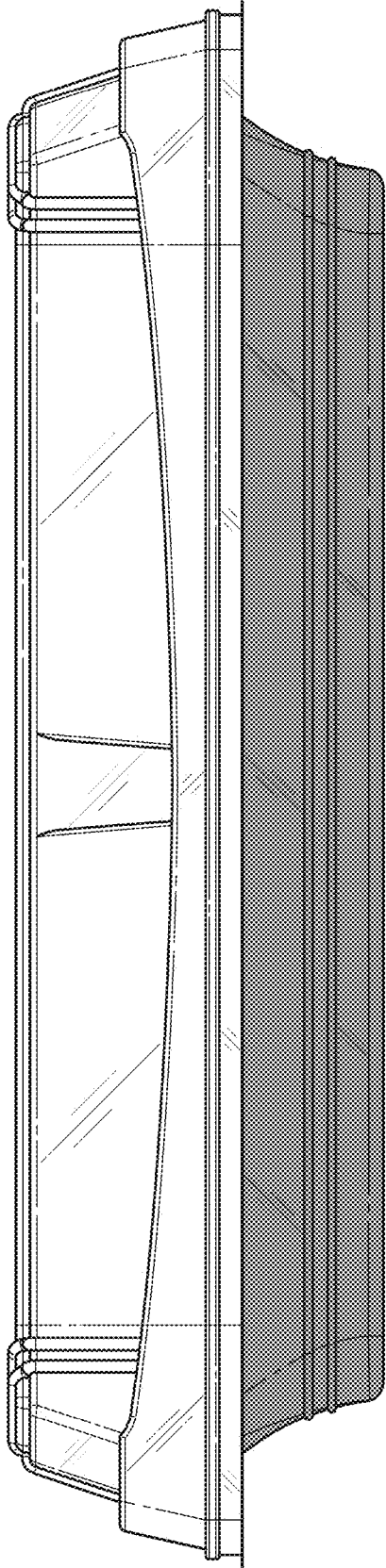


FIG. 4

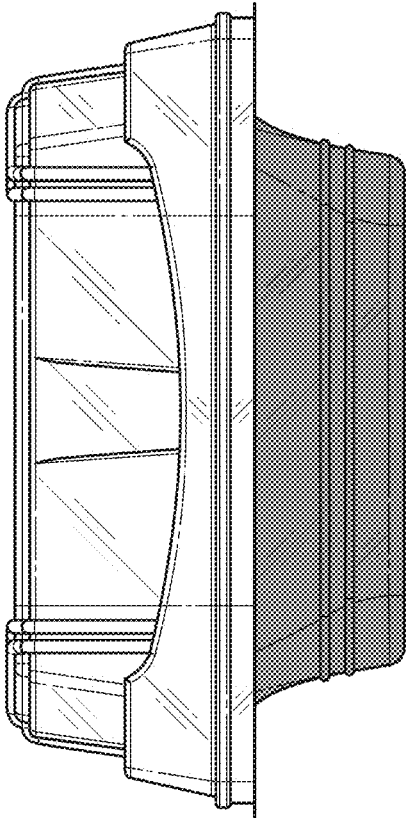


FIG. 5

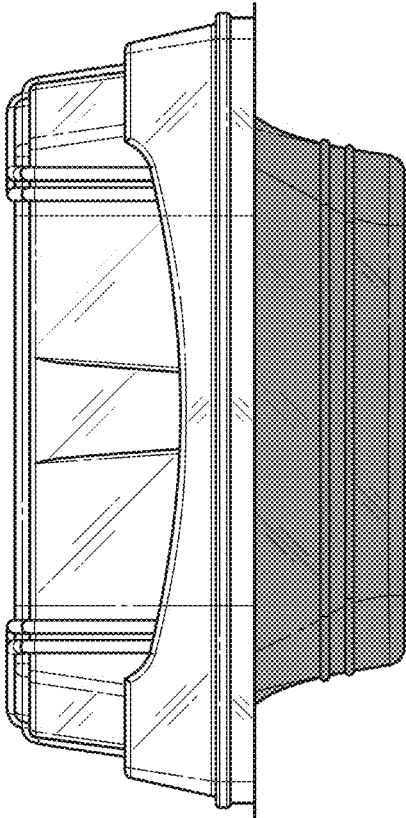


FIG. 6

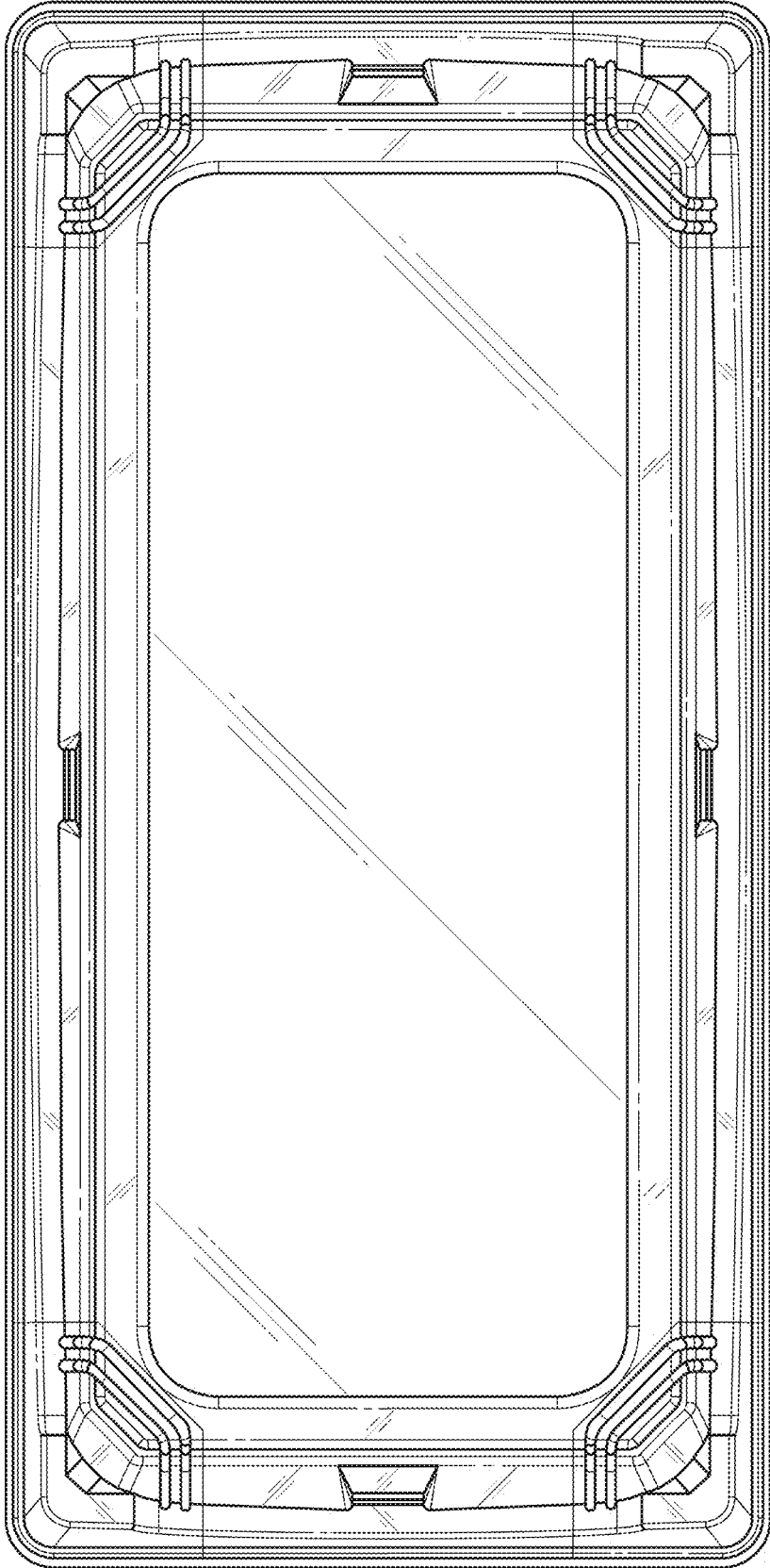


FIG. 7

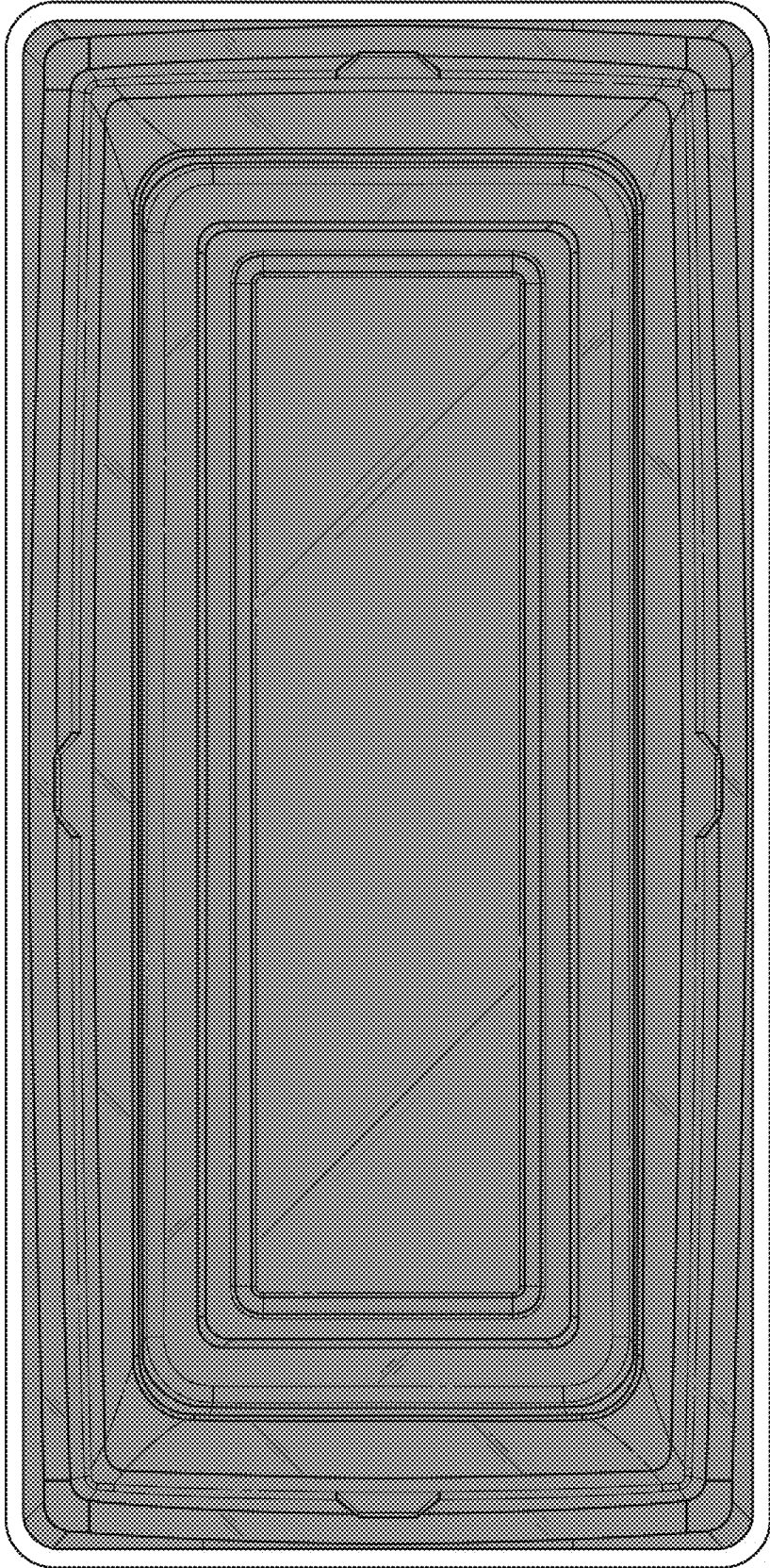


FIG. 8

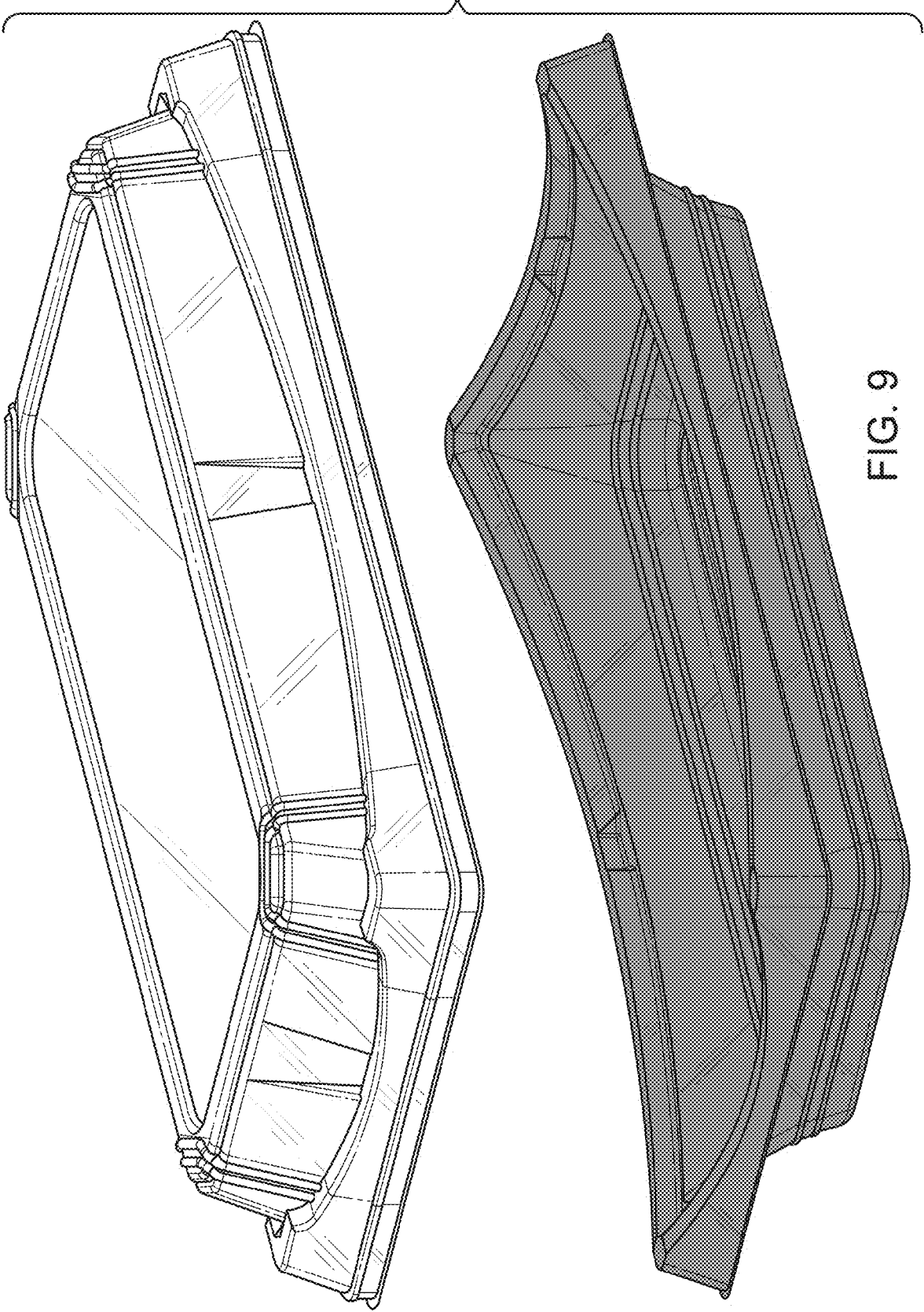


FIG. 9

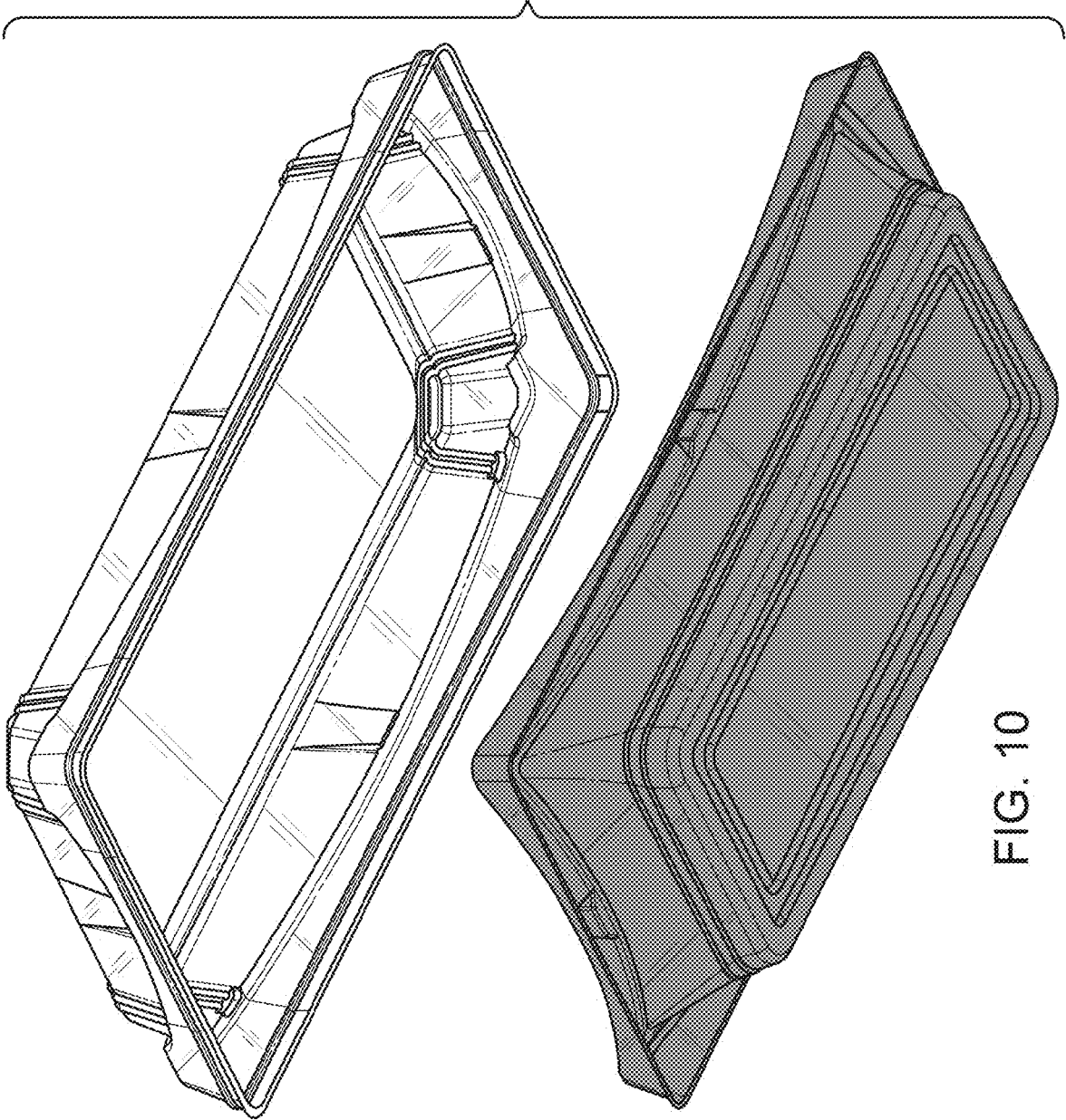


FIG. 10



FIG. 11



FIG. 12

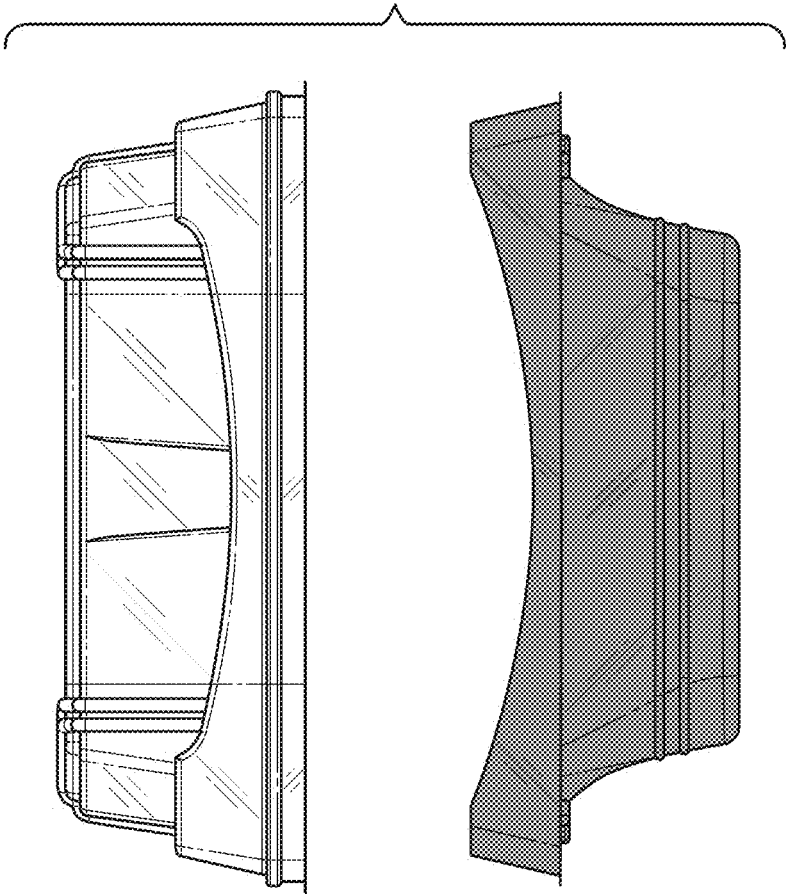


FIG. 13

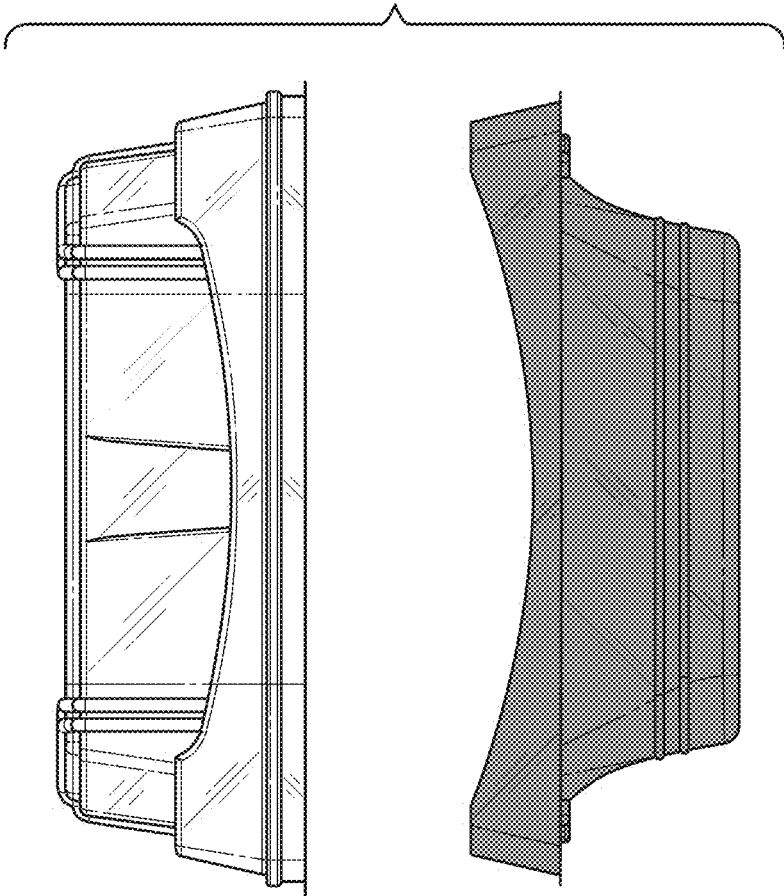


FIG. 14