



US00D560263S

(12) **United States Design Patent**
Rubino

(10) **Patent No.:** **US D560,263 S**

(45) **Date of Patent:** **** Jan. 22, 2008**

(54) **GROOVED GOLF PUTTER**

(75) Inventor: **James Rubino**, Penfield, NY (US)

(73) Assignee: **Izzo Golf Inc.**, Macedon, NY (US)

(**) Term: **14 Years**

(21) Appl. No.: **29/271,702**

(22) Filed: **Jan. 24, 2007**

(51) **LOC (8) Cl.** **21-02**

(52) **U.S. Cl.** **D21/759**

(58) **Field of Classification Search** D21/733-746,
D21/752, 759; 473/324-331, 340-341

See application file for complete search history.

(56) **References Cited**

U.S. PATENT DOCUMENTS

- 2,530,446 A * 11/1950 Beardsley 473/245
- D507,613 S * 7/2005 Baiocchi D21/742
- D509,273 S * 9/2005 Morris et al. D21/742

* cited by examiner

Primary Examiner—Mitchell Siegel

(74) *Attorney, Agent, or Firm*—Neal L. Slifkin

(57) **CLAIM**

The ornamental design for a grooved golf putter, as shown and described.

DESCRIPTION

FIG. 1 is a perspective view of the present invention;

FIG. 2 is a front elevation view thereof;

FIG. 3 is a left side elevation view thereof;

FIG. 4 is a right side elevation view thereof;

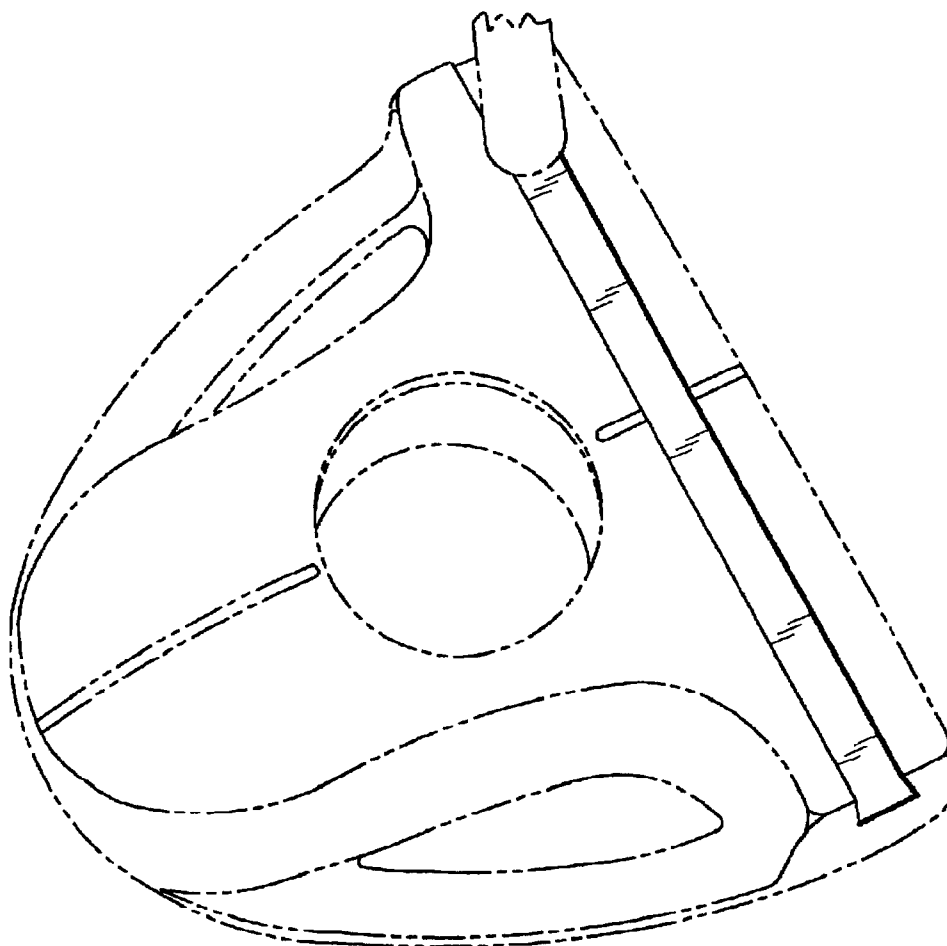
FIG. 5 is a rear elevation view thereof;

FIG. 6 is a top plan view thereof; and,

FIG. 7 is a bottom plan view thereof.

The broken lines are for illustrative purposes only and do not form part of the design.

1 Claim, 7 Drawing Sheets



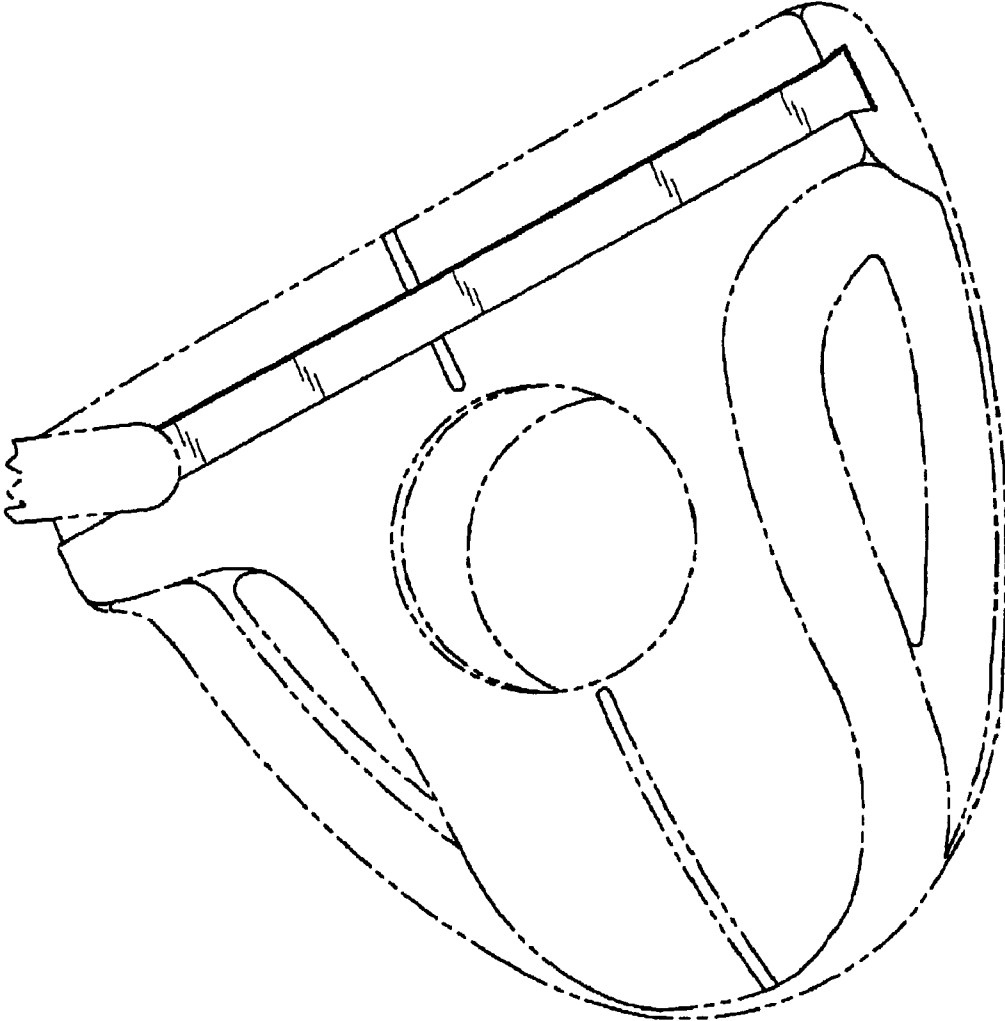


FIG. 1

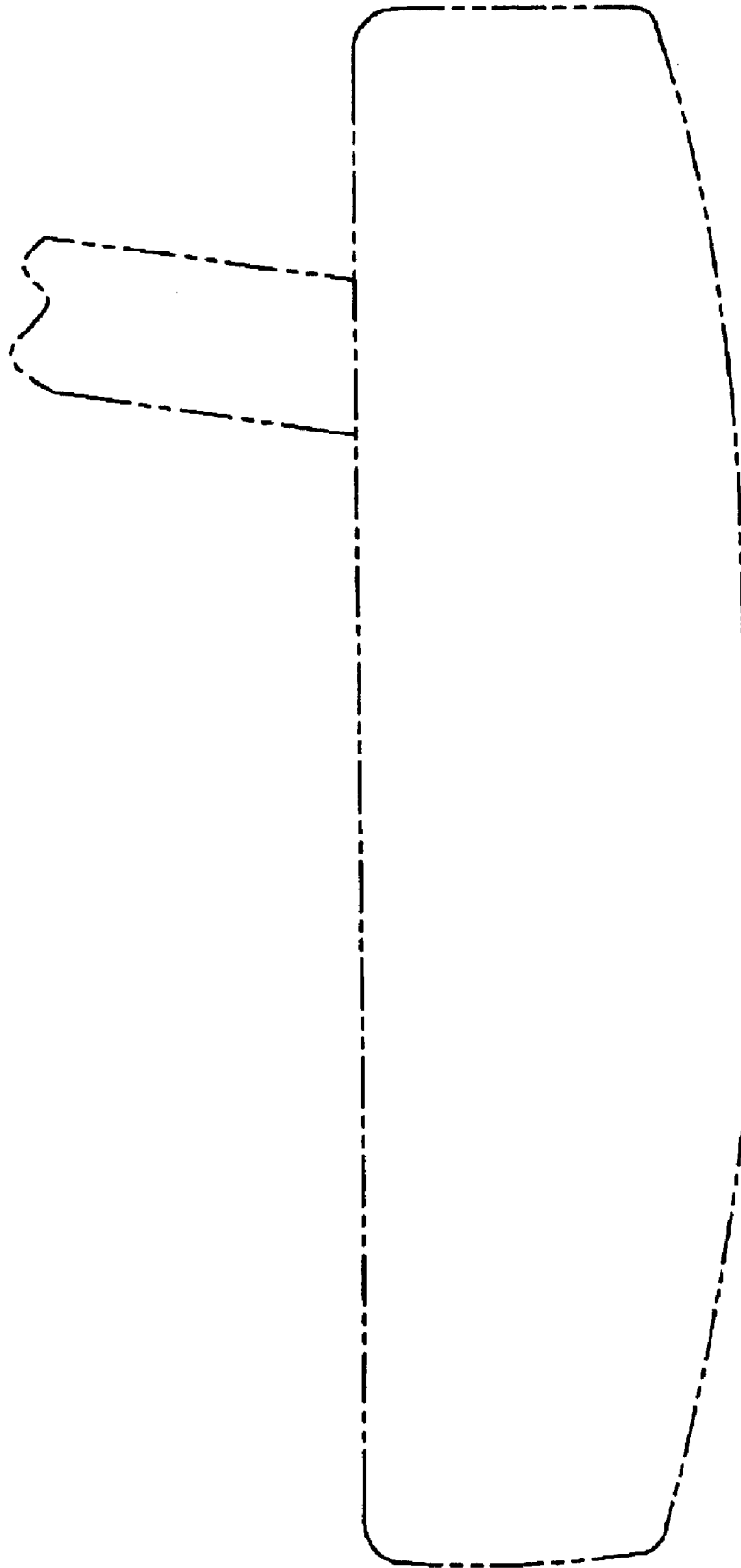


FIG. 2

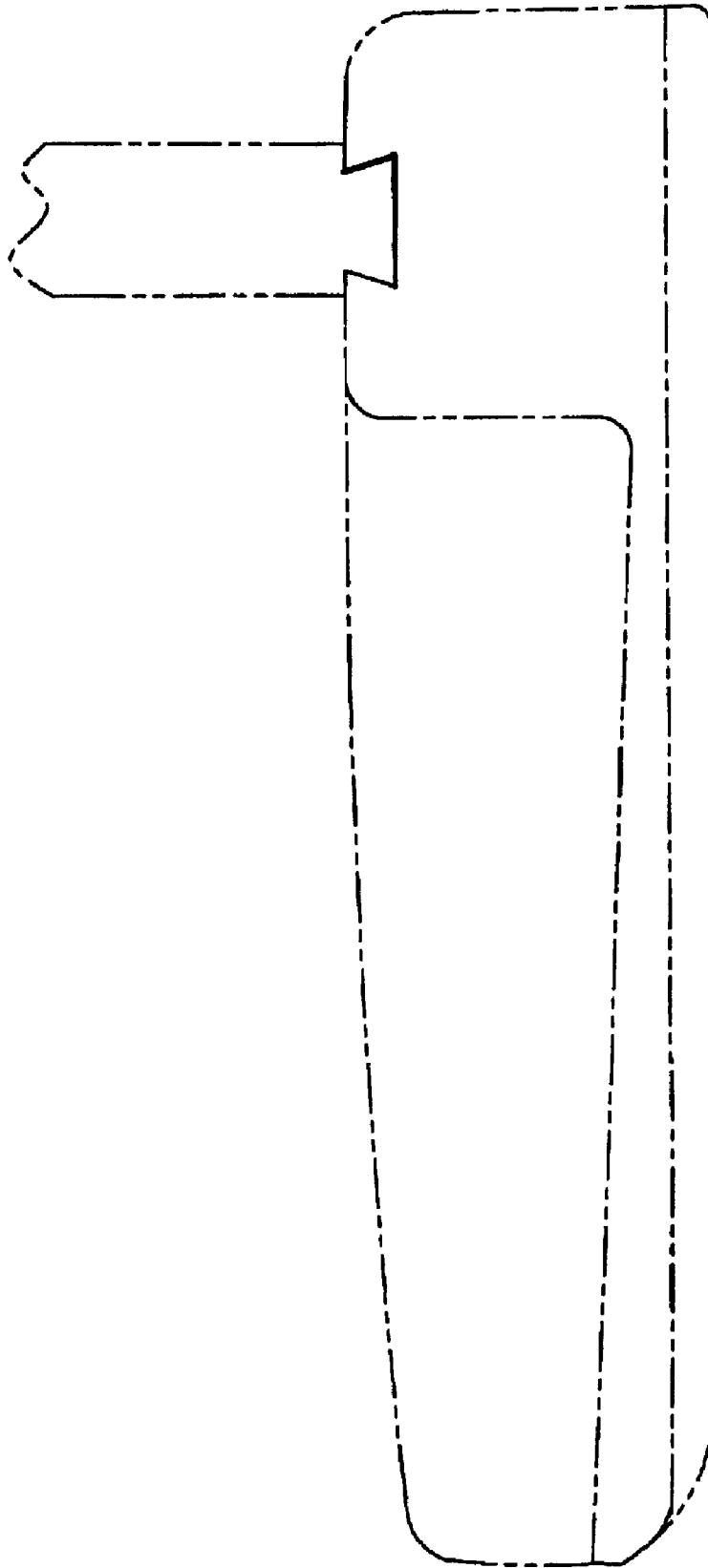


FIG. 3



FIG. 4

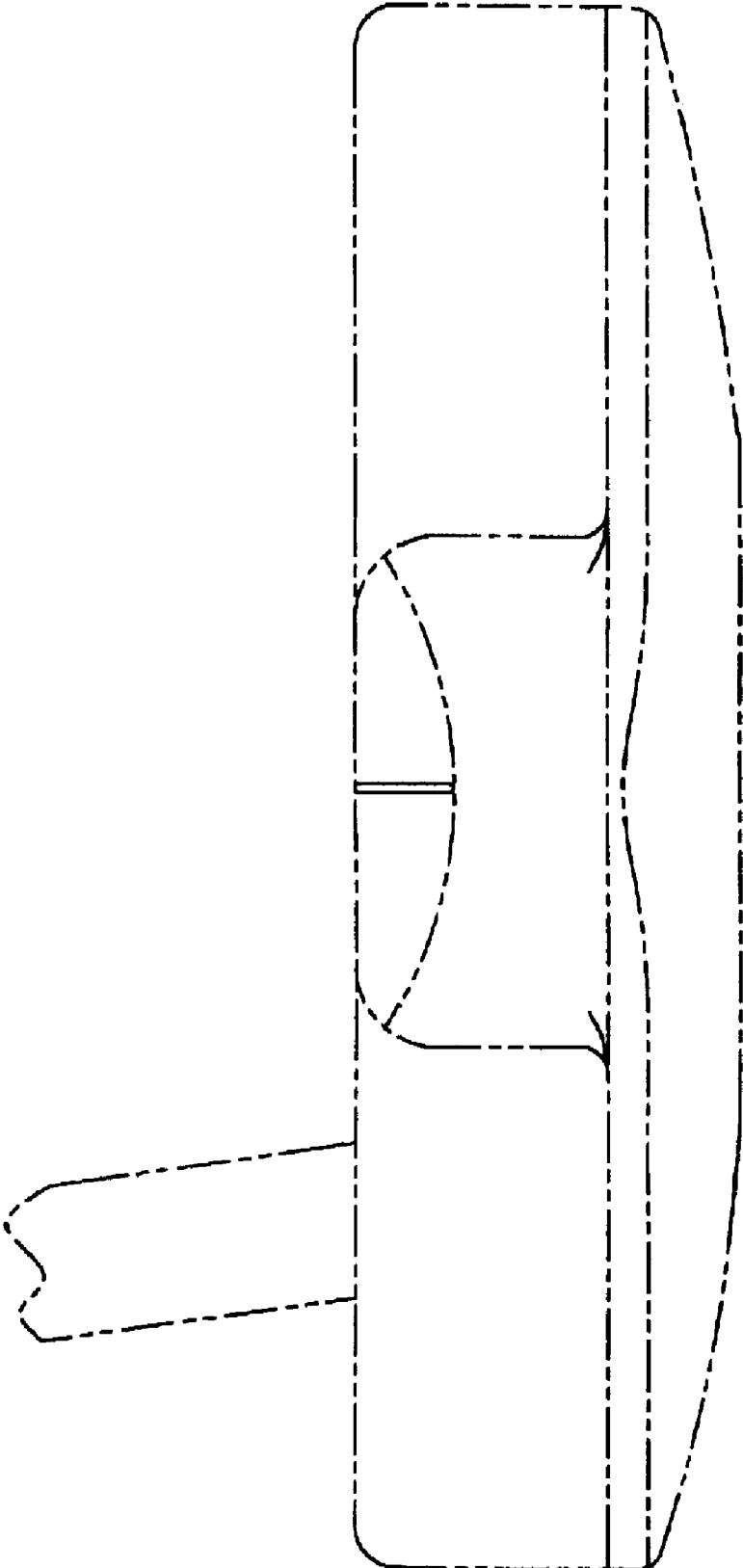


FIG. 5

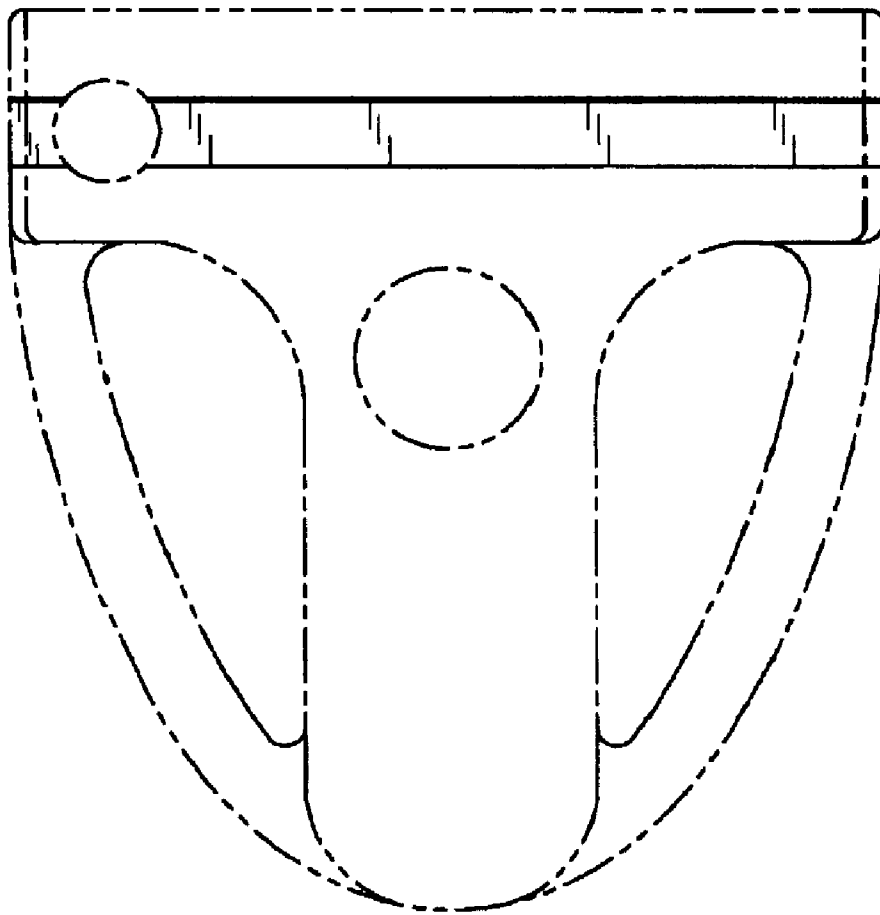


FIG. 6

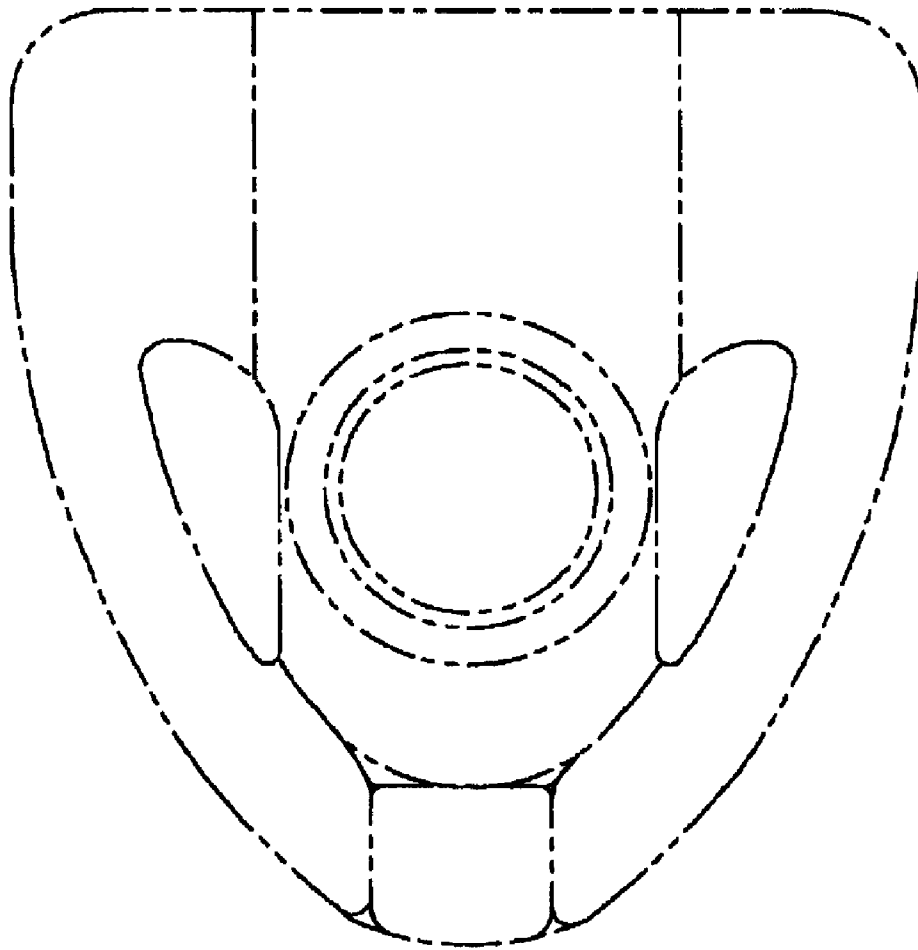


FIG. 7