



US00D515751S

(12) **United States Design Patent** (10) **Patent No.:** **US D515,751 S**
Fleetwood (45) **Date of Patent:** **** Feb. 21, 2006**

(54) **HORIZONTAL ELECTRONIC STIMULUS DELIVERY APPARATUS**

(75) Inventor: **Stephen W. Fleetwood**, Knoxville, TN (US)

(73) Assignee: **Radio Systems Corporation**, Knoxville, TN (US)

(**) Term: **14 Years**

(21) Appl. No.: **29/215,952**

(22) Filed: **Oct. 27, 2004**

(51) **LOC (8) Cl.** **30-05**

(52) **U.S. Cl.** **D30/156**

(58) **Field of Classification Search** 119/712, 119/719, 862, 905, 908; D30/156, 199; 231/7, 231/6

See application file for complete search history.

(56) **References Cited**

U.S. PATENT DOCUMENTS

3,137,271	A	*	6/1964	Etter	119/719
D244,626	S	*	6/1977	Andrews	D30/156
D250,050	S	*	10/1978	Bros	D30/156
4,153,009	A	*	5/1979	Boyle	119/850
D364,011	S	*	11/1995	Berg et al.	D30/156
6,513,793	B2	*	2/2003	Bellon	256/10

OTHER PUBLICATIONS

SCG-LBM Adapter by CJE Enterprises, P.O. Box 1872, Tucson, Arizona 85731.

* cited by examiner

Primary Examiner—Alan P. Douglas

Assistant Examiner—Susan Moon Lee

(74) *Attorney, Agent, or Firm*—Pitts & Brittan, P.C.

(57) **CLAIM**

The ornamental design for a horizontal electronic stimulus delivery apparatus, as shown and described.

DESCRIPTION

FIG. 1 is a perspective view of a horizontal electronic stimulus delivery apparatus of the present invention;

FIG. 2 is a front elevational view thereof;

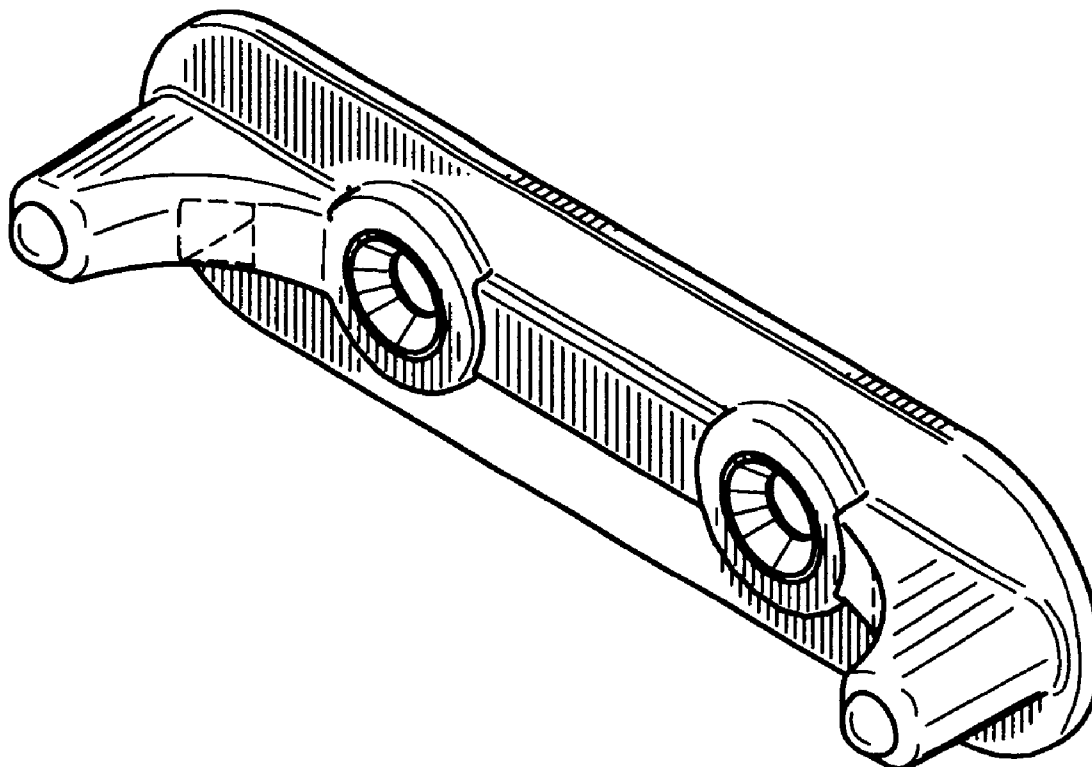
FIG. 3 is a rear elevational view thereof;

FIG. 4 is a top plan view, the bottom plan view being a mirror image thereof; and,

FIG. 5 is a right side elevational view, the left side elevational view being a mirror image thereof.

Portions of the horizontal electronic stimulus delivery apparatus shown in broken lines are for illustrative purposes only and form no part of the claimed design.

1 Claim, 2 Drawing Sheets



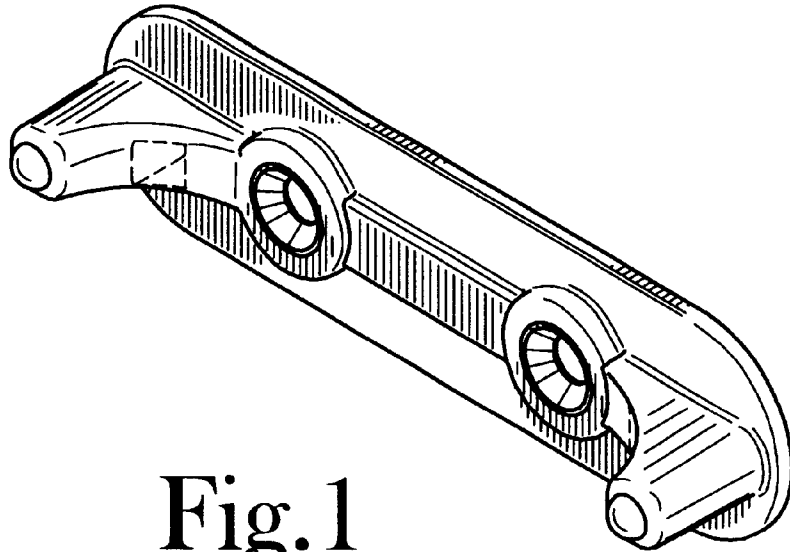


Fig. 1

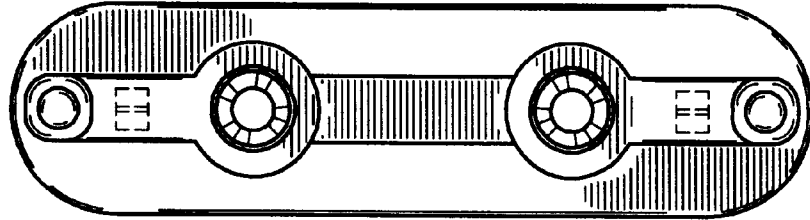


Fig. 2

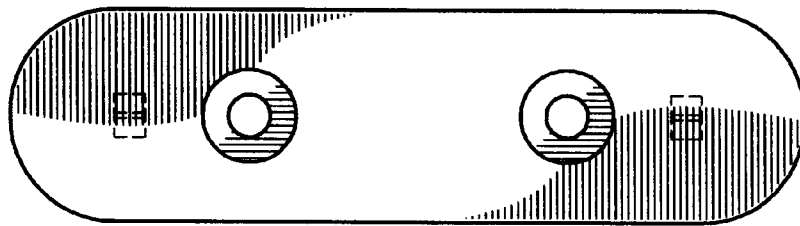


Fig. 3

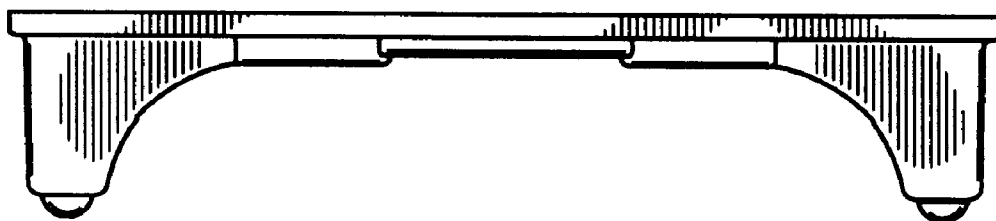


Fig. 4

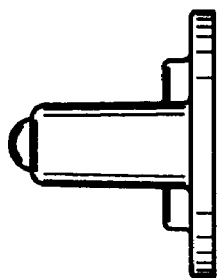


Fig. 5