

[54] PEDAL VEHICLE

[76] Inventor: Stig Patriksson, Sätergården 15, S-463 00 Lilla Edet, Sweden

[\*\*] Term: 14 Years

[21] Appl. No.: 940,850

[22] Filed: Sep. 8, 1978

[51] Int. Cl. .... D12-11

[52] U.S. Cl. .... D12/112

[58] Field of Search ..... D21/74, 76, 78, 79, D21/80, 128, 137, 135; 280/1.11 R, 1.12, 1.202, 1.208, 200, 481, 87.01; D12/107, 112, 113, 108

[56] References Cited

U.S. PATENT DOCUMENTS

D. 189,614 1/1961 Beale ..... D21/78

D. 190,024 4/1961 Rouse ..... D21/78  
2,201,440 5/1940 Letourneau et al. .... D21/108

OTHER PUBLICATIONS

Play Products Catalog, 1965, p. 14, #752 Racer.

Primary Examiner—Charles A. Rademaker

[57] CLAIM

The ornamental design for a pedal vehicle, substantially as shown and described.

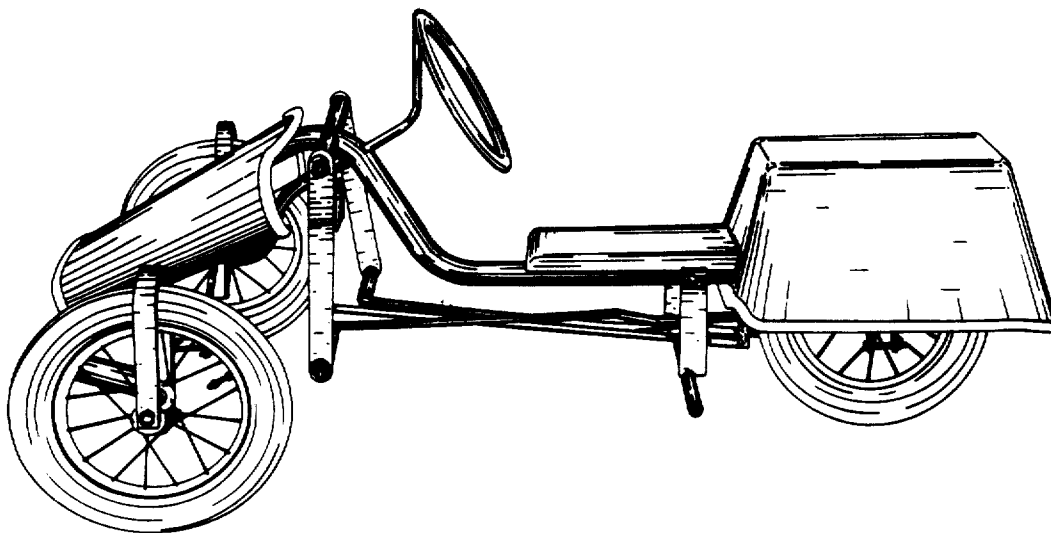
DESCRIPTION

FIG. 1 is a perspective view of a pedal vehicle showing my new design, the side opposite being substantially a mirror image;

FIG. 2 is a front perspective view thereof;

FIG. 3 is another front perspective view thereof; and

FIG. 4 is a bottom perspective view thereof.



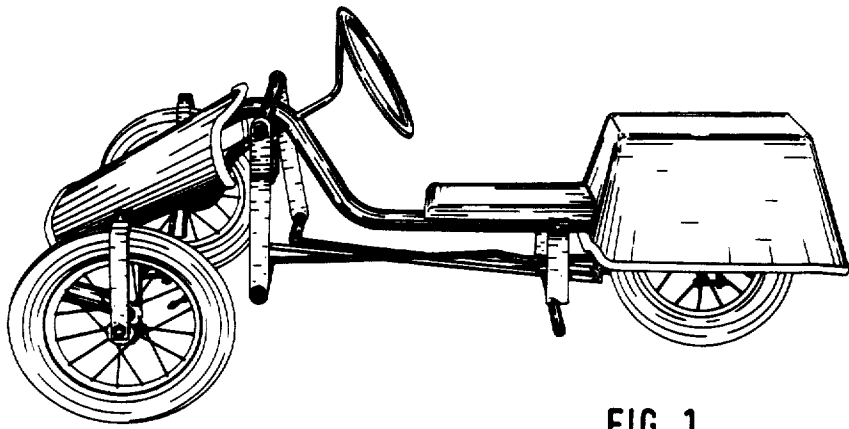


FIG. 1

FIG. 2

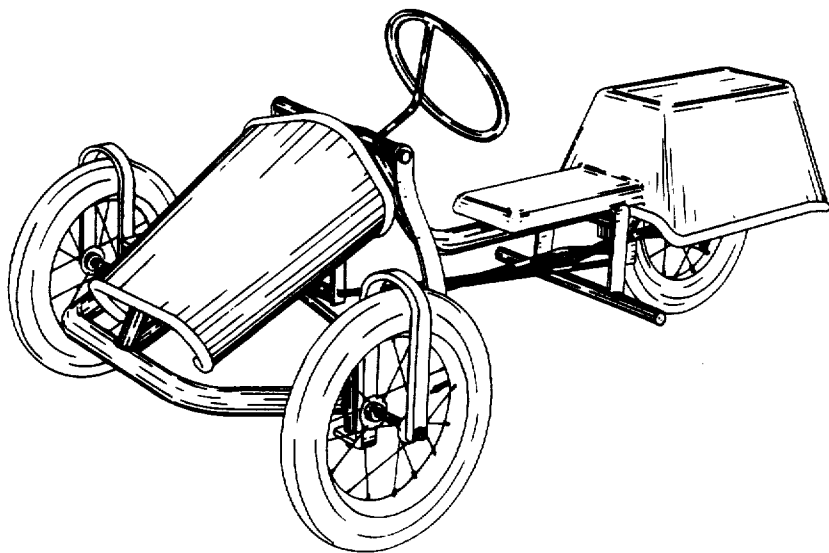


FIG. 3

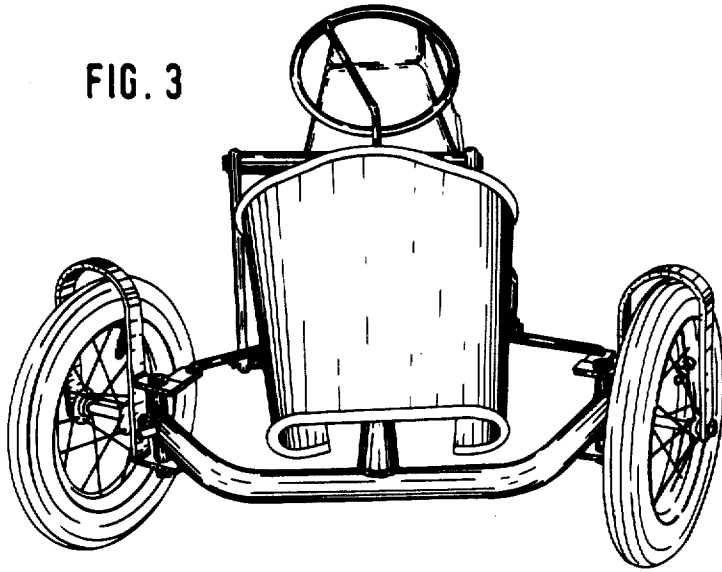


FIG. 4

