



US00D333046S

United States Patent [19]

[11] Patent Number: Des. 333,046

Grosfillex

[45] Date of Patent: ** Feb. 9, 1993

[54] CHAIR

- [75] Inventor: **Raymond Grosfillex**, Oyonnax, France
- [73] Assignee: **Grosfillex Sarl**, Oyonnax, France
- [**] Term: **14 Years**
- [21] Appl. No.: **504,896**
- [22] Filed: **Apr. 5, 1990**

[30] **Foreign Application Priority Data**

- Oct. 9, 1989 [XH] Hague DMA/001096
- [52] U.S. Cl. **D6/380; D6/370**
- [58] Field of Search D6/334, 369, 370, 376, D6/380, 499, 500, 501, 502; 297/DIG. 2

[56] **References Cited**

U.S. PATENT DOCUMENTS

- D. 234,241 2/1975 Onoguchi D6/380

OTHER PUBLICATIONS

Woodward & Lothrop, Oct. 1977, p. 14, chair #14 D, second from right at top.
 Bloomingdales, p. 14, chair at top left.
 Bloomingdales, p. 15, chair at top left.
 Identikit by Abitare, May 1985, p. 117, Thonet chair shown.
 Schöner Wohnen, Oct. 1985, p. 257, chair at bottom right.

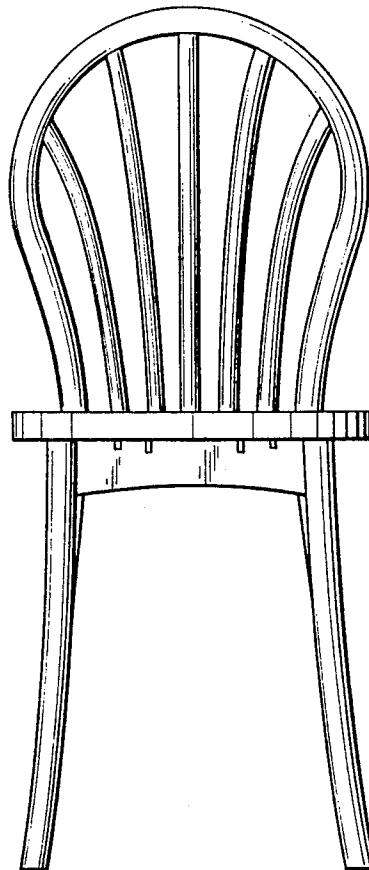
Primary Examiner—Alan P. Douglas
Assistant Examiner—Gary D. Watson
Attorney, Agent, or Firm—Dowell & Dowell

[57] **CLAIM**

The ornamental design for a chair, as shown and described.

DESCRIPTION

FIG. 1 is a front elevational view of a chair showing my new design;
 FIG. 2 is a rear elevational view;
 FIG. 3 is a top plan view;
 FIG. 4 is a bottom plan view; and,
 FIG. 5 is a left side elevational view, the right side being a mirror image thereof.



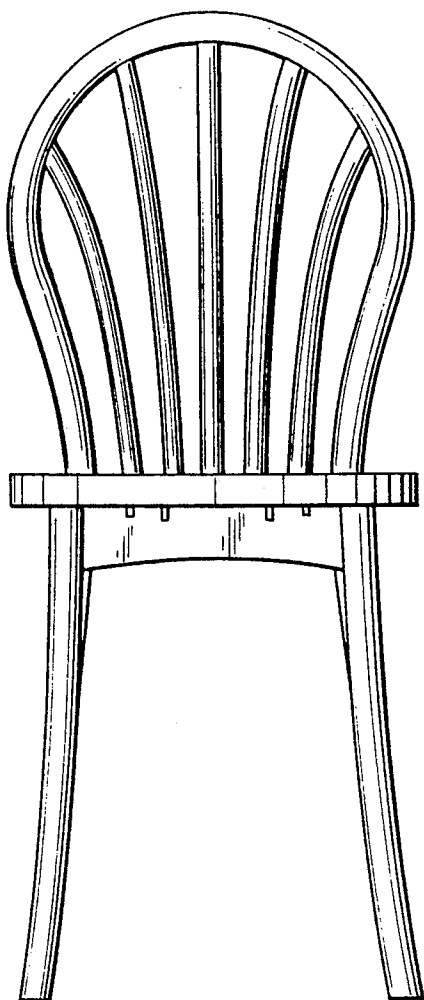


FIG. 1

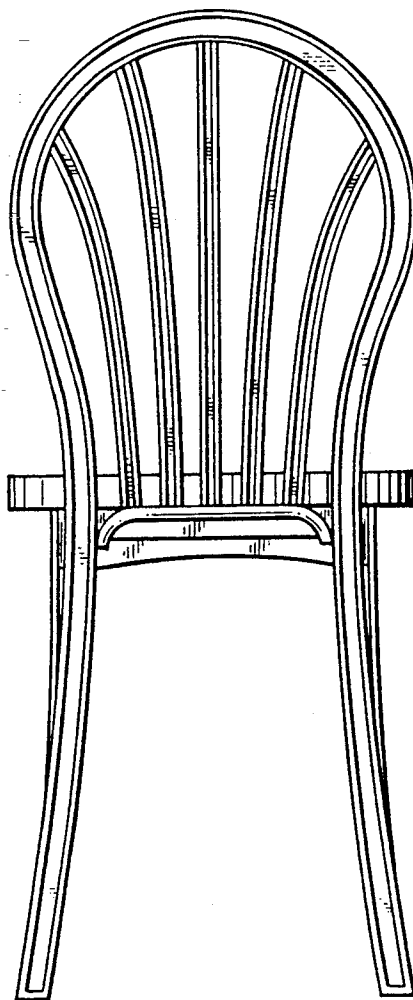


FIG. 2

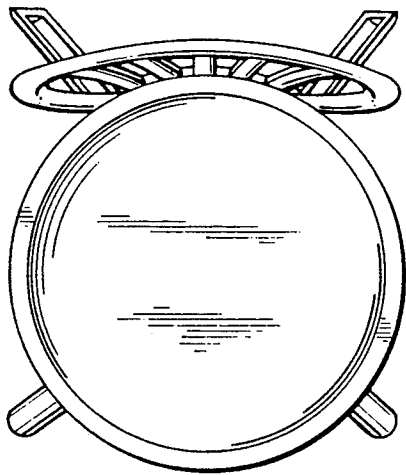


FIG. 3

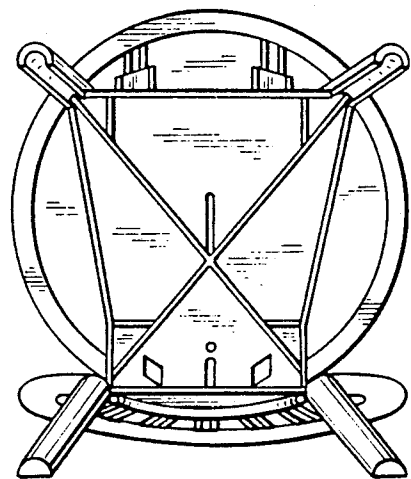


FIG. 4

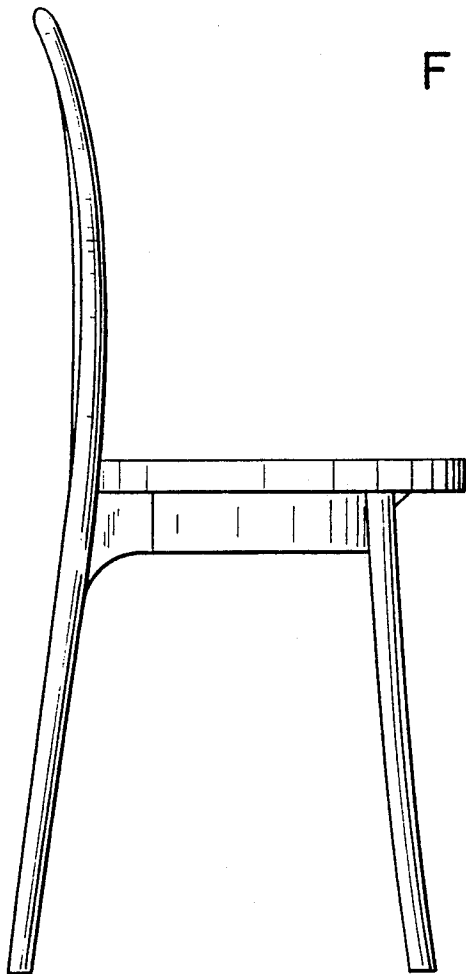


FIG. 5