



US00D655503S

(12) **United States Design Patent**
Deguglimo et al.

(10) **Patent No.:** **US D655,503 S**

(45) **Date of Patent:** **** Mar. 13, 2012**

(54) **TOOL CASE**

(75) Inventors: **Joseph Deguglimo**, Boca Raton, FL
(US); **Glenn Robinson**, Deerfield Beach,
FL (US)

(73) Assignee: **IBT Holdings, LLC**, Deerfield Beach,
FL (US)

(**) Term: **14 Years**

(21) Appl. No.: **29/374,859**

(22) Filed: **Oct. 18, 2011**

(51) **LOC (9) Cl.** **03-01**

(52) **U.S. Cl.** **D3/293; D3/298; D3/905**

(58) **Field of Classification Search** **D3/273,**
D3/300, 302, 905, 293, 276; D9/423-424;
206/349, 372-379, 1.5; 220/523, 527; 211/70.6
See application file for complete search history.

(56) **References Cited**

U.S. PATENT DOCUMENTS

D373,901	S	*	9/1996	Bergstedt	D3/294
D400,709	S	*	11/1998	Chang	D3/294
6,105,767	A	*	8/2000	Vasudeva	206/372
D468,531	S	*	1/2003	Hsu	D3/282

D475,853	S	*	6/2003	Chen	D3/294
D483,180	S	*	12/2003	Chen	D3/282
7,021,464	B2	*	4/2006	Chen	206/379
D519,733	S	*	5/2006	Chen	D3/293
D524,046	S	*	7/2006	Pangerc et al.	D3/273
D605,403	S	*	12/2009	Santamarina et al.	D3/294
D645,663	S	*	9/2011	Henley et al.	D3/294
D648,534	S	*	11/2011	Hsu	D3/293
2007/0272572	A1	*	11/2007	Chen	206/373

* cited by examiner

Primary Examiner — Jennifer Rivard

(74) *Attorney, Agent, or Firm* — Dan DeLaRosa

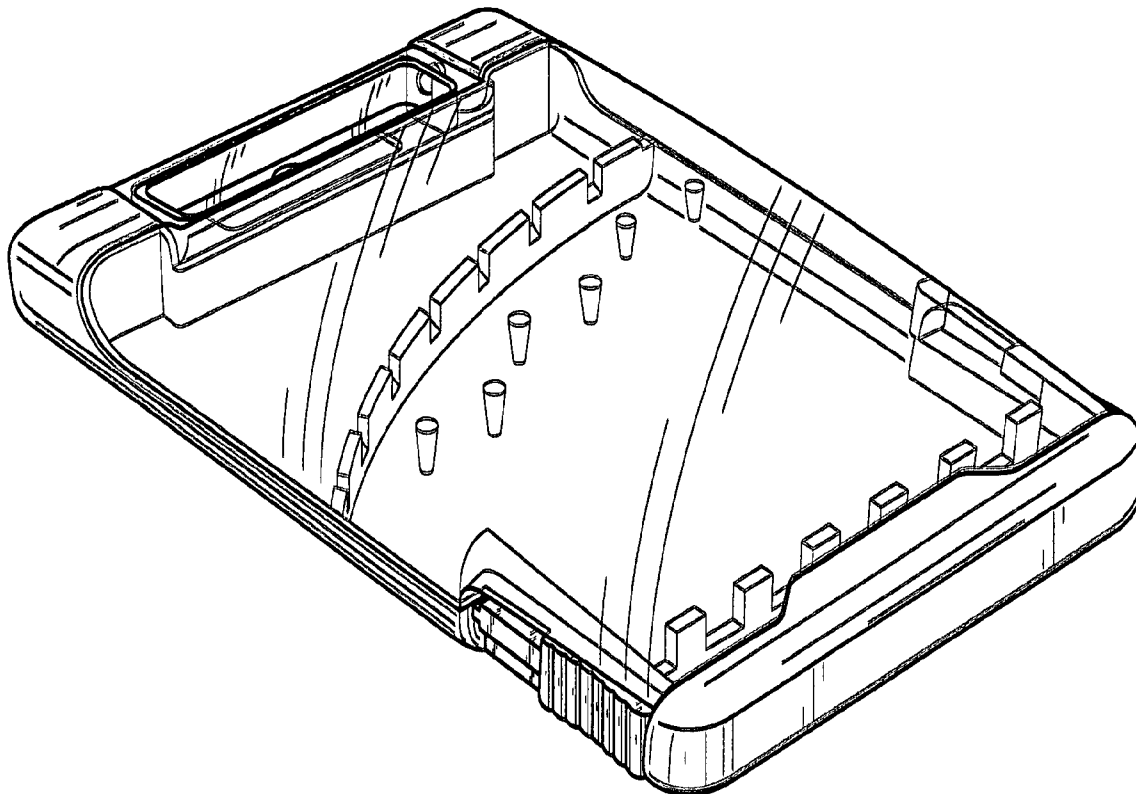
(57) **CLAIM**

The ornamental design for a tool case, as shown and described.

DESCRIPTION

FIG. 1 is a front perspective view of the tool case of the present invention showing my new design; FIG. 2 is a front side elevational view thereof; FIG. 3 is a back side elevational view thereof; FIG. 4 is a side elevational view thereof; FIG. 5 is another side elevational view thereof; FIG. 6 is a top plan view thereof; and, FIG. 7 is a bottom plan view thereof.

1 Claim, 5 Drawing Sheets



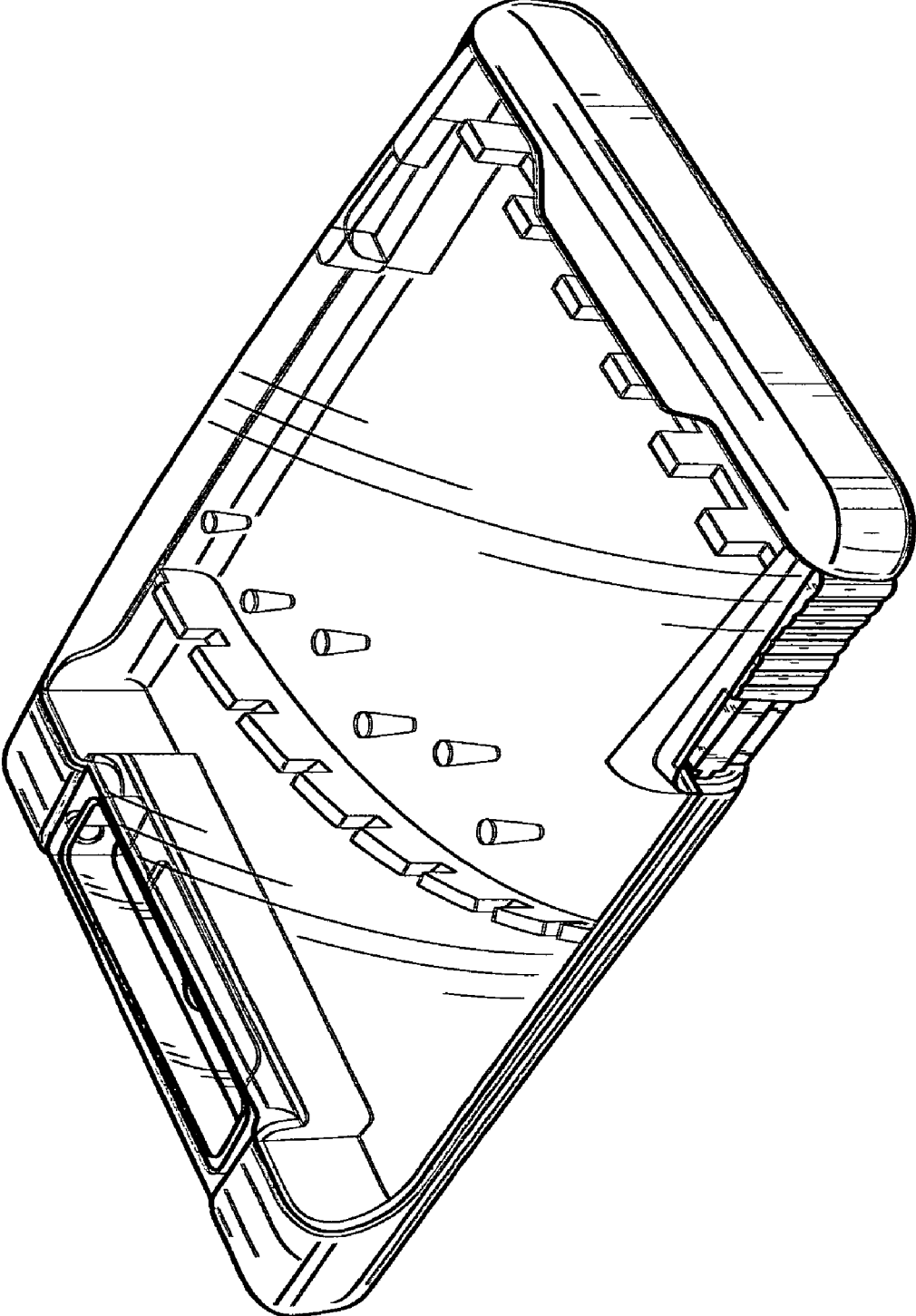


FIG. 1

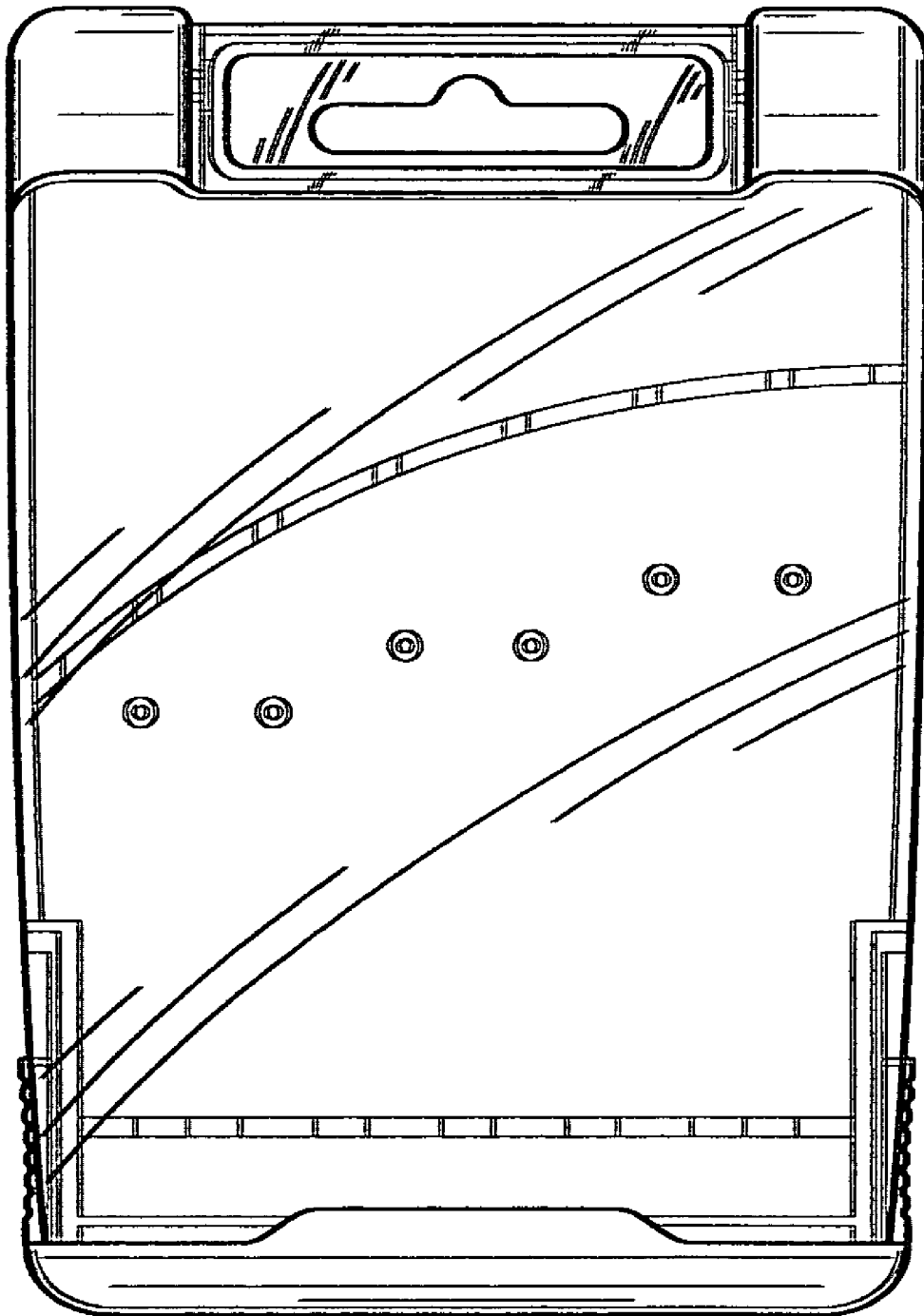


FIG. 2

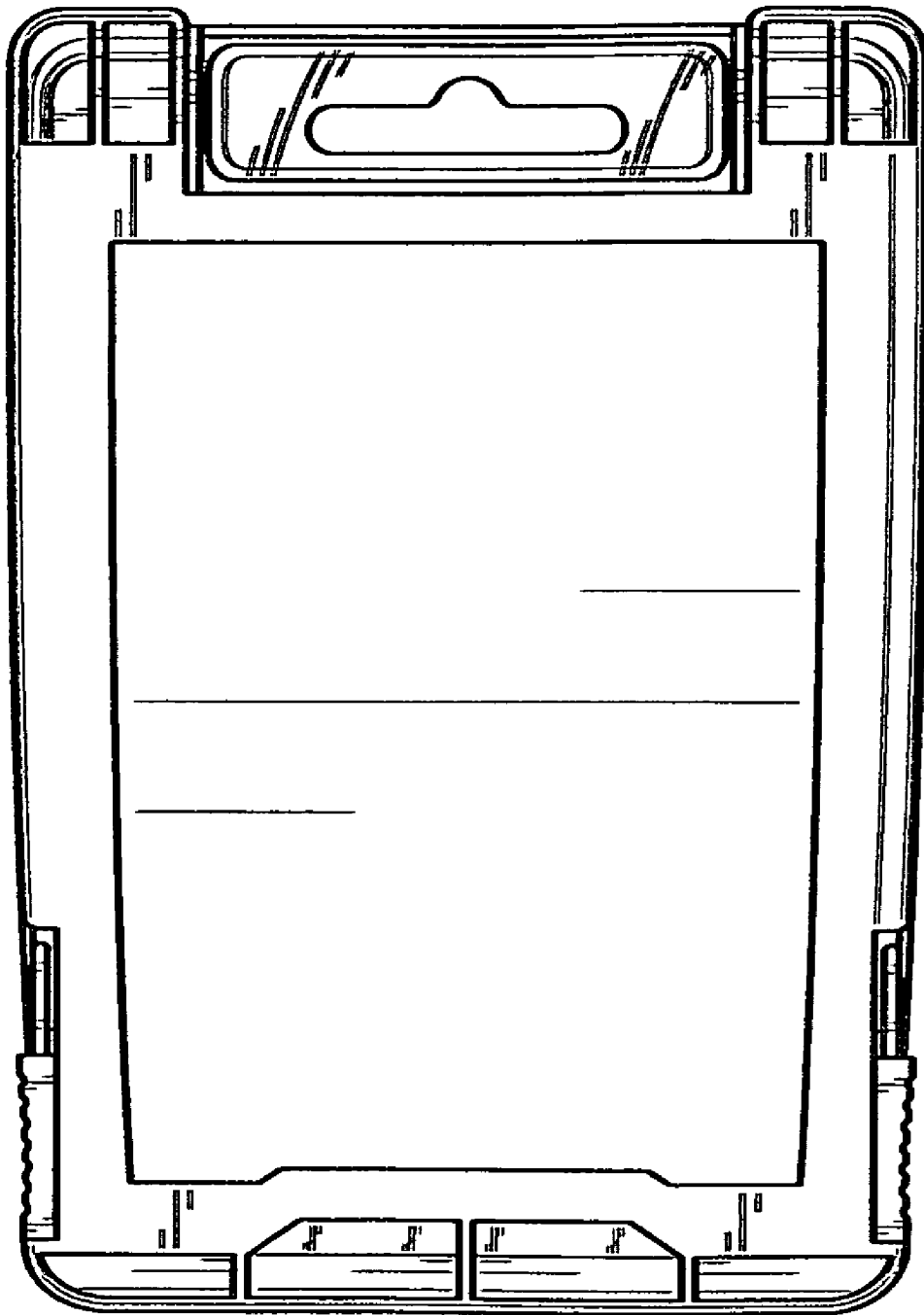


FIG. 3

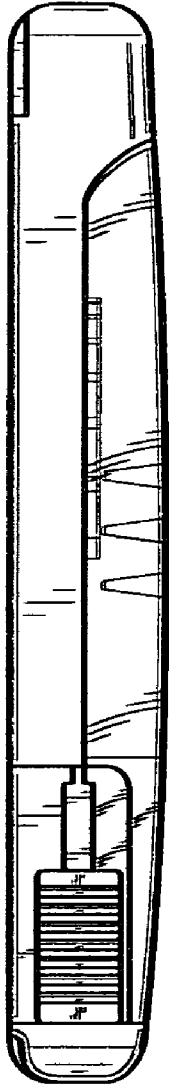


FIG. 4

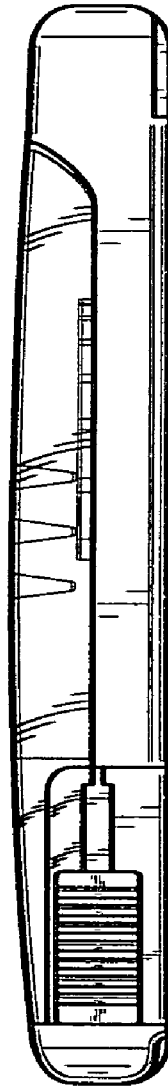


FIG. 5

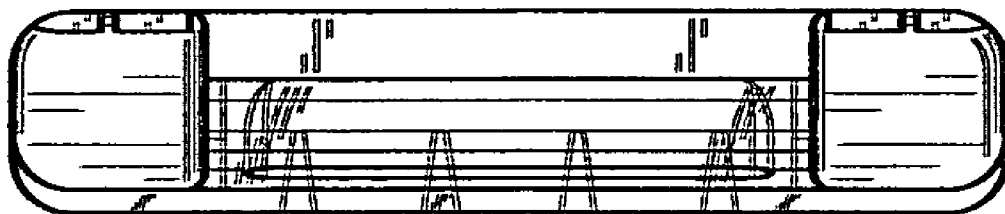


FIG. 6

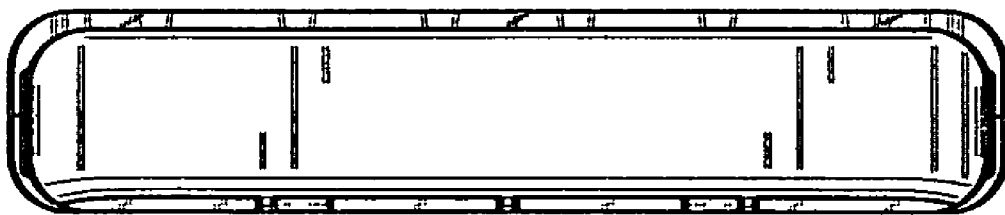


FIG. 7