



(22) **Date de dépôt/Filing Date:** 2011/01/27

(41) **Mise à la disp. pub./Open to Public Insp.:** 2012/06/30

(45) **Date de délivrance/Issue Date:** 2019/04/16

(30) **Priorité/Priority:** 2010/12/31 (US61/429,065)

(51) **Cl.Int./Int.Cl. A41B 9/02** (2006.01)

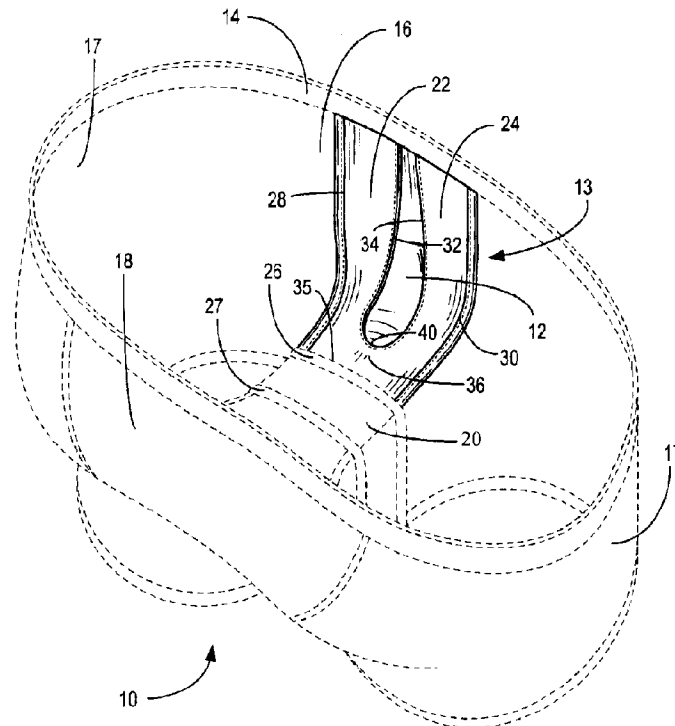
(72) **Inventeurs/Inventors:**
ELLIS, SHAWN ROBERT, CA;
BIGNEY, DUSTIN, CA

(73) **Propriétaire/Owner:**
0912139 B.C. LTD., CA

(74) **Agent:** GOWLING WLG (CANADA) LLP

(54) **Titre : VETEMENT POUR HOMMES AVEC SAC ET RABAT DE SOUTIEN**

(54) **Title: MEN'S GARMENT WITH POUCH AND SUPPORTING FLAP**



(57) **Abrégé/Abstract:**

The present disclosure provides men's garment having a pouch and a supporting flap. The garment may, for example, be underwear. The pouch and supporting flap are formed such that they are self-aligning, allowing the underwear to be put on without having to manually hold or position the pouch or supporting flap in place. The supporting flap of the present disclosure supports and positions the scrotum and penis away from both the thighs and the perineum into the pouch. The scrotum and penis are therefore protected from pinching between the thighs or being sat upon, reducing or eliminating discomfort from compression.

ABSTRACT

The present disclosure provides men's garment having a pouch and a supporting flap. The garment may, for example, be underwear. The pouch and supporting flap are formed such that they are self-aligning, allowing the underwear to be put on without having to manually hold or
5 position the pouch or supporting flap in place. The supporting flap of the present disclosure supports and positions the scrotum and penis away from both the thighs and the perineum into the pouch. The scrotum and penis are therefore protected from pinching between the thighs or being sat upon, reducing or eliminating discomfort from compression.

5

Title:

MEN'S GARMENT WITH POUCH AND SUPPORTING FLAP

10

Applicant(s):

Shawn Robert ELLIS

Glen Allan KIRK

MEN'S GARMENT WITH POUCH AND SUPPORTING FLAP

FIELD OF THE INVENTION

The present disclosure relates generally to a men's garment, and more specifically to men's underwear having a pouch.

5 BACKGROUND

Present designs in men's underwear has several drawbacks or limitations. Many designs in men's underwear are tight fitting briefs which may cause compression of a man's genitals as the penis and scrotum are drawn tight and urged towards the man's thighs and perineum. Other designs incorporate a looser fitting underwear garment such as boxers to try to avoid this
10 compression problem. However, boxers may not provide sufficient support for the genitals, particularly while a man is physically active during a sporting activity, for example.

Several underwear designs have been proposed for integrating a pouch into men's underwear, wherein the pouch provides a barrier between a man's genitals and thighs or between a man's genitals and perineum. In these underwear designs, however, the genitals (whether the penis,
15 scrotum or both) are still susceptible to pinching between the thighs, or being sat upon. This can occur, for example, when the man is sitting or crossing his legs, or during normal movement such as walking. Furthermore, some of these prior underwear designs may require a man to manually hold or position various parts of the pouch while putting the underwear on in order to properly place the genitals inside the pouch.

20 United States Patent Application 12/000,966 to Kitsch et al. discloses an underwear garment for a male having a pair of side panels that extend along the front wall from the waistband to the perineum. The side panels are intended to provide separation between the side of the scrotum and the inner thighs. However, the positioning of the side panels in Kitsch et al. does not prevent the

scrotum from moving towards the perineum. This may result in discomfort due to pinching of the scrotum between the thighs, or the scrotum being sat upon.

United States Patent Application 11/977,125 to Shlush discloses an underwear having an internal pouch along its front wall that is accessible by a slit. The slit must be manually opened while the
 5 man inserts his genitalia into the pouch, and may not provide sufficient support for a man's genitals, allowing the scrotum to be pinched between the thighs or sat upon.

United States Patent 7,676,853 to Cutlip discloses an underwear having an internal pouch suspended above the bottom of the underwear. In the Cutlip design, the base of the pouch is tacked and held to a bottom-covering section. In the Cutlip design, as the entire pouch is
 10 contained within the underwear, compression of a man's genitals similar to that of a brief design may be experienced, and the scrotum may be sat upon in a sitting position. Also, in the Cutlip design, it may be necessary to manually adjust the pouch as the underwear is put on in order to properly cover the scrotum.

United States Patent 5,029,345 to Angheluta et al. discloses an underwear having an internal
 15 pouch along its front wall that is accessible by a slit. The pouch extends beneath the perineum, enabling the scrotum to be pinched between the thighs, or be sat upon in a sitting position. The slit must also be manually opened while the man inserts his genitalia into the pouch. Therefore, Angheluta et al. may not provide sufficient support for a man's genitals.

What is required is an improved men's underwear design that overcomes some of the above
 20 limitations.

SUMMARY

The present disclosure provides men's garment having a pouch and a supporting flap. The garment may, for example, be underwear. The pouch and supporting flap are formed such that they may be self-aligning, allowing the underwear to be put on without having to manually
 25 hold or position the pouch or supporting flap in place. The supporting flap of the present disclosure supports and positions the scrotum and penis away from both the thighs and the perineum into the pouch. The scrotum and penis may therefore be protected from pinching between the thighs or being sat upon, reducing or eliminating discomfort from compression.

Thus, in an aspect, there is provided a men's garment comprising: a waistband; a front wall depending downwardly from the waistband, the front wall having a pouch formed at a mid-section of the front wall, the pouch protruding from the front wall and shaped to contain a wearer's penis and scrotum when the garment is worn; a supporting flap attached behind the pouch and defining a keyhole opening through the front wall to the pouch, the supporting flap having a bottom flap portion connecting opposing side flap portions and positioned to be disposed forward of a wearer's perineum when the garment is worn, whereby in use the scrotum of a wearer of the garment is supported underneath by the bottom flap portion of the supporting flap to contain a wearer's penis and scrotum in the pouch.

10 In an embodiment, the supporting flap comprises an elasticized fabric.

In another embodiment, the elasticized fabric is comprised of a cotton spandex blend.

In another embodiment, the blend comprises approximately 90% to 95% modal and approximately 5% to 10% spandex.

15 In another embodiment, the blend comprises approximately 93% modal and approximately 7% spandex.

In another embodiment, the supporting flap is fastened to the front wall while the supporting flap is substantially stretched and the front wall is less stretched, whereby the supporting flap is biased to define the keyhole opening when the garment is held in position to be worn.

20 In another embodiment, the men's garment further comprises a perineum wall fastened at a front seam to a bottom edge of the supporting flap, and a rear seam to a bottom edge of a rear wall depending from a rear part of the waistband.

In another embodiment, the front wall and the rear wall are fastened at a seam disposed forward of the perineum region of a wearer, and wherein a bottom edge of the supporting flap is fastened to the seam.

25 In another embodiment, the supporting flap defines a U-shape keyhole opening when in a relaxed state.

In another embodiment, the supporting flap defines an oval or elliptical shape keyhole opening when in a relaxed state.

In another embodiment, the supporting flap defines a teardrop shape keyhole opening when in a relaxed state.

- 5 In another embodiment, the supporting flap is formed from a single piece of fabric.

In another embodiment each the bottom flap portion and the opposing side flap portions are separate pieces of fabric.

In another embodiment, the supporting flap comprises a moisture wicking material.

In another embodiment, the supporting flap is fastened to the front wall using a soft thread.

- 10 In another embodiment, the pouch comprises a dart seam stitched along a bottom portion of the pouch and substantially centrally to provide extra volume in front of and underneath the genitals of a wearer.

According to another embodiment, there is provided a men's garment comprising a waistband, a front wall depending downwardly from the waistband, the front wall having a pouch formed generally at a mid-section of the front wall, the pouch protruding from the front wall and shaped to contain a wearer's penis and scrotum when the garment is worn, and a supporting flap attached behind the pouch and defining an opening, the supporting flap having a bottom flap portion connecting opposing side flap portions and positioned to be disposed forward of a wearer's perineum when the garment is worn, whereby in use the scrotum of a wearer of the garment is supported underneath by the supporting flap to contain a wearer's penis and scrotum in the pouch.

15

20

The supporting flap may comprise an elasticized fabric.

The elasticized fabric may be comprised of a cotton spandex blend.

The blend may comprise approximately 90% to 95% modal and approximately 5% to 10% spandex.

- 25 The blend may comprise approximately 93% modal and approximately 7% spandex.

The supporting flap may be fastened to the front wall while the supporting flap is in a pre-stretched condition and the front wall is less stretched, whereby the supporting flap is biased to define the opening when the garment is held in position to be worn.

A top edge of the supporting flap may be attached at the waistband, and side edges of the

supporting flap may be attached along either side of the front wall.

The men's garment may further comprise a rear wall depending downwardly from a rear part of the waistband.

5 The men's garment may further comprise a perineum wall fastened at a front seam to a bottom edge of the front wall, and at a rear seam to a bottom edge of the rear wall.

A bottom edge of the supporting flap may be fastened to the front seam.

The front wall and the rear wall may be fastened at a seam disposed forward of the perineum region of a wearer, and a bottom edge of the supporting flap may be fastened to the seam.

The supporting flap may define a U-shape opening when in a relaxed state.

10 The supporting flap may define an oval or elliptical shape opening when in a relaxed state.

The supporting flap may define a teardrop shape opening when in a relaxed state.

The supporting flap may be formed from a single piece of fabric.

Each of the bottom flap portion and the opposing side flap portions may be separate pieces of fabric.

15 The supporting flap may comprise a moisture wicking material.

The supporting flap may be fastened to the front wall using a soft thread.

The pouch may comprise a dart seam stitched along a bottom portion of the pouch and substantially centrally to provide extra volume in front of and underneath the genitals of the wearer.

20 The supporting flap may be shaped such that the scrotum of the wearer of the garment may be supported by the bottom flap portion of the supporting flap to contain the wearer's penis and scrotum in the pouch.

25 Other features of the present disclosure will become apparent from the following detailed description and accompanying drawings. It should be understood, however, that the detailed description and specific examples are given by way of illustration and not limitation. Many modifications and changes within the scope of the present disclosure may be made without departing from the spirit thereof.

DESCRIPTION OF THE DRAWINGS

Embodiments of the present disclosure will be better understood when consideration is given to the following detailed description thereof. Such description makes reference to the annexed
5 drawings wherein:

FIG. 1 illustrates a perspective view of a men's garment having a pouch and a supporting flap in accordance with an embodiment.

FIG. 2 illustrates a front view of the men's garment of FIG. 1, showing the pouch in accordance with an embodiment.

FIG. 3 illustrates a rear view of the men's garment of FIG. 1, showing a partially hidden view of the pouch in accordance with an embodiment.

FIGS. 4 and 5 illustrate side views of the men's garment of FIG. 1, showing the pouch in accordance with an embodiment from each side.

- 5 FIG. 6 illustrates a top view of the men's garment of FIG. 1, showing the pouch and supporting flap in accordance with an embodiment.

FIG. 7 illustrates a bottom view of the men's garment of FIG. 1, showing the pouch in accordance with an embodiment.

- 10 In the drawings, certain embodiments are illustrated by way of example. It is to be expressly understood that the description and drawings are only for the purpose of illustration and as an aid to understanding, and are not intended as a definition of the limits of the present disclosure.

DETAILED DESCRIPTION

- 15 Unless defined otherwise, all technical and scientific terms used herein have the same meaning as commonly understood by one of ordinary skill in the art to which this invention belongs. Also, unless indicated otherwise, except within the claims, the use of "or" includes "and" and vice-versa. Non-limiting terms are not to be construed as limiting unless expressly stated or the context clearly indicates otherwise (for example "including", "having" and "comprising" typically indicate "including without limitation"). Singular forms including in the claims such as "a", "an" and "the" include the plural reference unless expressly stated otherwise.

- 20 Certain embodiments will now be explained in detail by referring to FIGS. 1 - 7, which for clarity show the pouch and supporting flap in solid lines from various views, while the remainder of the illustrative underwear design appears in dashed lines.

- 25 The present disclosure provides a men's garment having a pouch 12, and a supporting flap 13 defining a narrowed keyhole opening to the pouch. Referring to FIGS. 1 and 6, the garment may, for example, be illustrative underwear 10. Pouch 12 and supporting flap 13 are formed such that they may be self aligning, allowing underwear 10 to be put on without having to manually hold or position any portions of the pouch 12 or supporting flap 13. As will be explained in more

detail below, supporting flap 13 of the present disclosure supports the scrotum of the wearer and positions the genitals of the wearer forward into pouch 12 away from his thighs and perineum. The wearer's genitals may therefore be protected from pinching between the thighs or being sat upon while in a sitting position, reducing or eliminating discomfort from compression.

5 In an embodiment, underwear 10 comprises a waistband 14, a front wall 16 and a rear wall 18 depending from waistband 14 and connected to each other at opposing side walls 17. The front wall 16 and the rear wall 18 may also be fastened along their bottom edges, for example by a seam, between the front wall 16 and rear wall 18. This seam is preferably disposed forward of the man's perineum. Alternatively, as shown in FIG. 1, a perineum wall 20 located to be
10 proximate to the perineum of a wearer may be provided connecting the bottom of the front wall 16 at seam 26 to the bottom of the rear wall 18 at seam 27.

In an embodiment, as best shown in FIGS. 2, 4 and 5 - 7, pouch 12 is formed by a fabric material protruding from a mid section of front wall 16 of underwear 10. Supporting flap 13 is formed approximately within the same plane as the front wall 16, and defines a keyhole opening
15 through the front wall 16 into pouch 12 as will now be explained. As shown in FIGS. 1 and 6, supporting flap 13 comprises two opposing side flap portions 22, 24 that depend downwardly from the waistband 14, and are joined together by a bottom flap portion 36, which is preferably curved. Preferably, side flap portions 22, 24 are joined at their outer edges 28, 30 respectively to front wall 16 along seams. The inner edges 32, 34 of the side flap portions 22, 24 are free.
20 Preferably, bottom flap portion 36 is fastened at its bottom edge 35 to a seam 26 between front wall 16 and perineum wall 20 (or the rear wall 18 if the perineum wall 20 is not provided). A top edge 40 of the bottom flap portion 36 is free, and preferably curved. Thus, together, the free edges 32, 34 of the side flap portions 22, 24 and free edge 40 of bottom flap portion 36 define the keyhole opening through front wall 16 to pouch 12.

25 Preferably, seam 26 is positioned forward of a perineum wall 20 such that the curved bottom flap portion 36 is located forward of the perineum of a wearer. As will now be further explained, the curved bottom flap portion 36 supports the scrotum and positions the scrotum forward into pouch 12. Thus, when a man's genitals are placed in pouch 12 and supported by supporting flap 13, the genitals of the wearer may be protected from being compressed between his thighs or being sat
30 upon when in a sitting position.

In an embodiment, the keyhole opening defined by supporting flap 13 can be generally U-shaped when viewed from the rear. Alternatively, the free inner edges 32, 34 of the side flap portions 22, 24 may be placed closer together near waistband 14 such that the keyhole opening defined by the free edges of supporting flap 13 is more tear-drop shaped. In yet another embodiment, the upper edges of the side flap portions 22, 24 may be adjacent each other, or joined together entirely, such that the keyhole opening of supporting flap 13 forms an oval or elliptical shape (not shown). Regardless of the particular shape of the keyhole opening that is formed, supporting flap 13 may be configured to define the keyhole opening and provide support around and underneath the scrotum of the wearer in order to comfortably position the wearer's genitals forward into pouch 12.

Preferably, side flap portions 22, 24 and bottom flap portion 36 of supporting flap 13 are formed from a single piece of fabric, but they could be formed from a plurality of pieces of fabric fastened together. As shown in FIG. 1, side flap portions 22, 24 may lie approximately within the same plane as front wall 16 in a relaxed state. However, in use when underwear 10 is worn, supporting flap 13 is configured to elastically stretch around the genitals of the wearer and supporting the wearer's genitals from the sides and from underneath, as the wearer's genitals are held forward into pouch 12.

Preferably, supporting flap 13 is formed of a separate fabric blank than the rest of underwear 10. The fabric used for supporting flap 13 preferably has some degree of resilient elasticity such that it can be stretched when worn, and return to an unstretched state when the underwear 10 is taken off. As an illustrative example, and not by way of limitation, supporting flap 13 may be made of a cotton and spandex blend. Alternatively, supporting flap 13 may also be made of a fabric blend that is approximately 90% to 95% modal and 5% to 10% spandex. As a more particular example, supporting flap 13 may be approximately 93% modal and 7% spandex. The fabric blend for supporting flap 13 may also be chosen to enable moisture wicking away from the genitals while supporting and positioning them forward into pouch 12.

In an embodiment, supporting flap 13 may be configured to be self-aligning by fastening supporting flap 13 to the underwear while supporting flap 13 is substantially stretched, while front wall 16 of underwear 10 is not stretched or less stretched. By fastening supporting flap 13 to front wall 16 in this way, supporting flap 13 is generally stretched more than other parts of

underwear 10. The stretching may cause supporting flap 13 to be biased so that the supporting flap 13 does not have to be manually held in place or positioned as underwear 10 is being put on by the wearer. In other words, when underwear 10 is held by a man so as to be in a ready-to-wear position (i.e. held in mid-air by the waistband), the weight of underwear 10 stretches supporting flap 13 to clearly define a keyhole opening. A man's genitals may thus be naturally
 5 guided through the keyhole opening formed by supporting flap 13 and positioned forward into pouch 12 as a result of this bias. Furthermore, this bias may prevent the man's genitals from falling out of pouch 12 in use, such as during physical activity and other movement.

Thus, side flap portions 22, 24 and bottom flap portion 36 of supporting flap 13 are maintained
 10 in a stretched state while underwear 10 is being worn, and support a man's genitals forward of his perineum. As a result, the man's scrotum is held away from his perineum and legs substantially in front of the man's torso. This may substantially reduce or prevent the possibility of pinching of the scrotum between the wearer's legs or being sat upon in a sitting position, for example when the man's thighs are together or when the man is sitting down with his legs
 15 crossed.

Preferably the pouch 12 is fastened to underwear 10 by thread. The thread may be a soft thread that does not cause irritation to the skin and may be stitched so as to prevent or reduce irritation. In an embodiment, pouch 12 has a dart seam 46 stitched along a bottom part of pouch 12, and pouch 12 is cut generously to provide extra volume in front and near the bottom of pouch 12.
 20 This may provide a pouch 12 which substantially protrudes from front wall 16 for additional comfort of the wearer, while supporting flap 13 provides full support for the genitals.

While an illustrative underwear 10 is shown in FIGS. 1 - 7, it will be appreciated that the underwear may also be a boxer, brief, boxer brief, long johns, or any other form factor of underwear or men's garment. The pouch could also be fastened or incorporated into pants,
 25 swimwear, athletic gear, etc.

The foregoing description of embodiments has been presented for purposes of illustration and description. It is not intended to be exhaustive or to be limited to the precise forms disclosed, and modifications and variations are possible in light of the above teachings or may be acquired from practice of the present disclosure. The embodiments were chosen and described in order
 30 to explain the principals of the present disclosure and its practical application to enable one skilled in the art to utilize

various embodiments with various modifications as are suited to the particular use contemplated. It is intended that the scope of the present disclosure be defined by the claims appended hereto and their equivalents.

EMBODIMENTS IN WHICH AN EXCLUSIVE PROPERTY OR PRIVILEGE IS CLAIMED
ARE DEFINED AS FOLLOWS:

1. A men's garment comprising:
 - a waistband;
 - 5 a front wall depending downwardly from the waistband, the front wall having a pouch formed at a mid-section of the front wall, the pouch protruding from the front wall and shaped to contain a wearer's penis and scrotum when the garment is worn; and
 - 10 a supporting flap attached behind the pouch and defining an opening, the supporting flap having a bottom flap portion connecting opposing side flap portions and positioned to be disposed forward of the wearer's perineum and underneath the wearer's scrotum when the garment is worn, wherein a forward edge of the bottom flap portion defines a lower portion of the opening such that the bottom flap portion supports the wearer's scrotum and positions the scrotum forward into the pouch when the garment is worn, and whereby in use the wearer's scrotum is supported underneath by the supporting flap to contain the wearer's penis and scrotum in the pouch.
2. The men's garment as claimed in claim 1, wherein the supporting flap comprises an elasticized fabric.
- 20 3. The men's garment as claimed in claim 2, wherein the elasticized fabric is comprised of a cotton spandex blend.
4. The men's garment as claimed in claim 3, wherein the blend comprises approximately 90% to 95% modal and approximately 5% to 10% spandex.
5. The men's garment as claimed in claim 4, wherein the blend comprises approximately 25 93% modal and approximately 7% spandex.
6. The men's garment as claimed in any one of claims 2 to 5, wherein the supporting flap is fastened to the front wall while the supporting flap is in a pre-stretched condition and the front wall is less stretched, whereby the supporting flap is biased to define the opening when the garment is held in position to be worn.

7. The men's garment as claimed in any one of claims 1 to 6, wherein a top edge of the supporting flap is attached at the waistband, and wherein side edges of the supporting flap are attached along either side of the front wall.
- 5 8. The men's garment of any one of claims 1 to 7, further comprising a rear wall depending downwardly from a rear part of the waistband.
9. The men's garment as claimed in claim 8, further comprising a perineum wall fastened at a front seam to a bottom edge of the front wall, and at a rear seam to a bottom edge of the rear wall.
- 10 10. The men's garment as claimed in claim 9, wherein a bottom edge of the supporting flap is fastened to the front seam.
11. The men's garment as claimed in claim 8, wherein the front wall and the rear wall are fastened at a seam disposed forward of the perineum region of a wearer, and wherein a bottom edge of the supporting flap is fastened to the seam.
- 15 12. The men's garment as claimed in any one of claims 1 to 11, wherein the supporting flap defines a U-shape opening when in a relaxed state.
13. The men's garment as claimed in any one of claims 1 to 11, wherein the supporting flap defines an oval or elliptical shape opening when in a relaxed state.
14. The men's garment as claimed in any one of claims 1 to 11, wherein the supporting flap defines a teardrop shape opening when in a relaxed state.
- 20 15. The men's garment as claimed in any one of claims 1 to 14, wherein the supporting flap is formed from a single piece of fabric.
16. The men's garment as claimed in any one of claims 1 to 14, wherein each of the bottom flap portion and the opposing side flap portions are separate pieces of fabric.
- 25 17. The men's garment as claimed in any one of claims 1 to 16, wherein the supporting flap comprises a moisture wicking material.
18. The men's garment as claimed in any one of claims 1 to 17, wherein the supporting flap is fastened to the front wall using a soft thread.
19. The men's garment as claimed in any one of claims 1 to 18, wherein the pouch comprises

a dart seam stitched along a bottom portion of the pouch and substantially centrally to provide extra volume in front of and underneath the genitals of the wearer.

- 5 20. The men's garment as claimed in claim 7 wherein the side edges of the supporting flap are attached along either side of the front wall by respective side seams extending substantially continuously along either side of the opening.
21. The men's garment as claimed in claim 1 wherein the lower portion of the opening is rounded, thereby defining a rounded bottom edge of the opening.
22. The men's garment as claimed in claim 6 wherein the pouch is formed by the gathering of the front wall when the supporting flap is in a relaxed state.
- 10 23. The men's garment as claimed in claim 12 wherein the supporting flap is rectangular.
24. The men's garment as claimed in claim 1 wherein the garment is a pair of underwear.
25. The men's garment of claim 1 wherein the stretch panel comprises a fabric different from the fabric of the body.

1/4

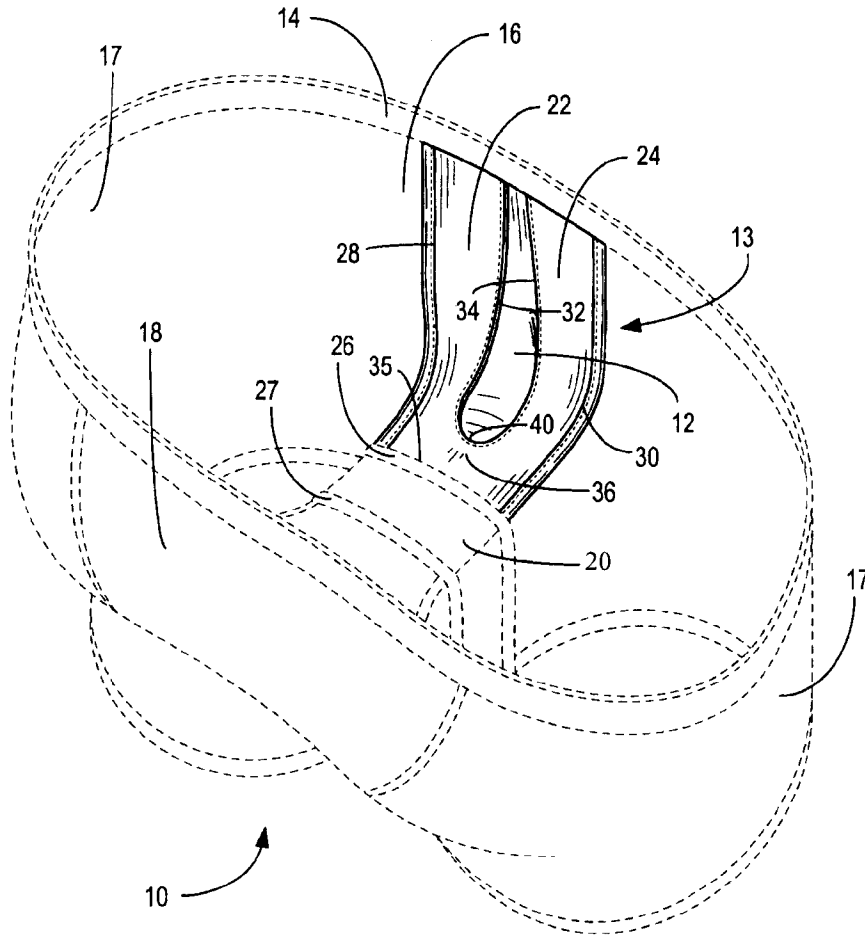


FIG. 1

2/4

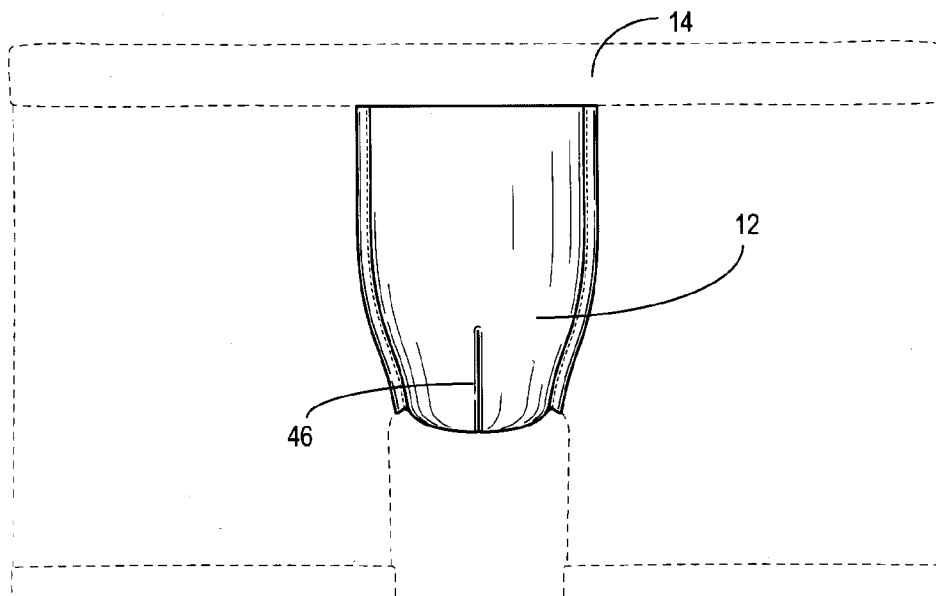


FIG. 2

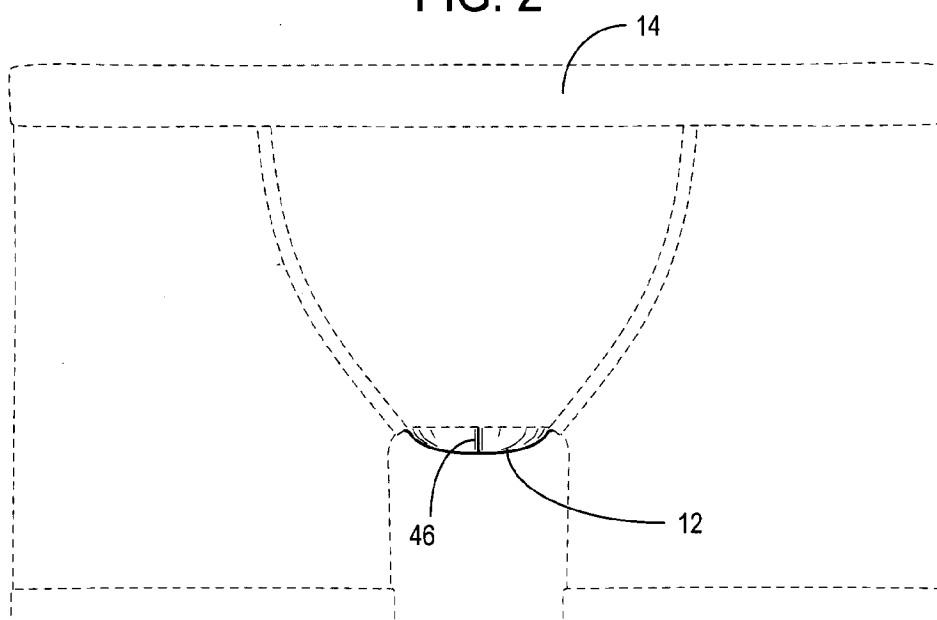


FIG. 3

3/4

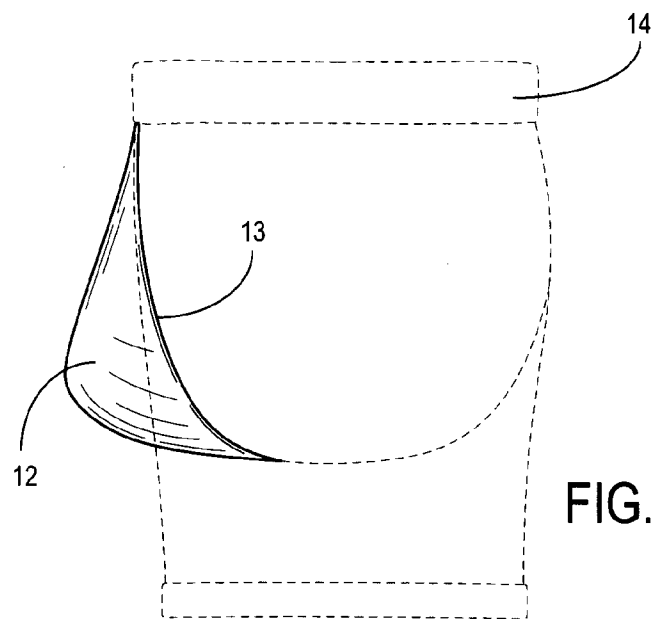


FIG. 4

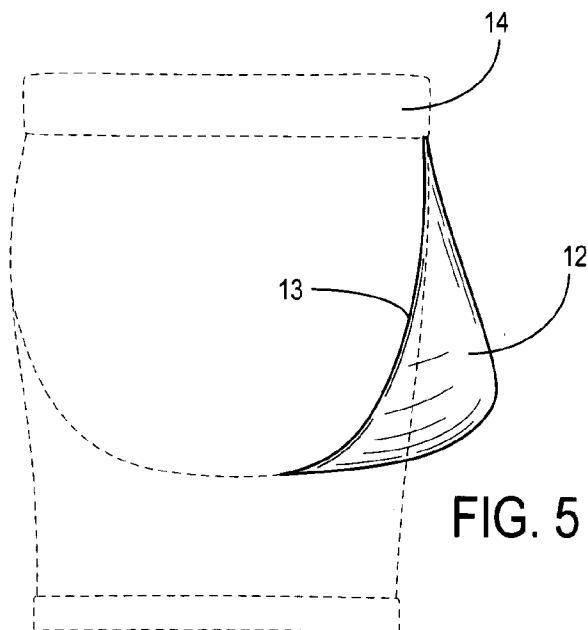


FIG. 5

4/4

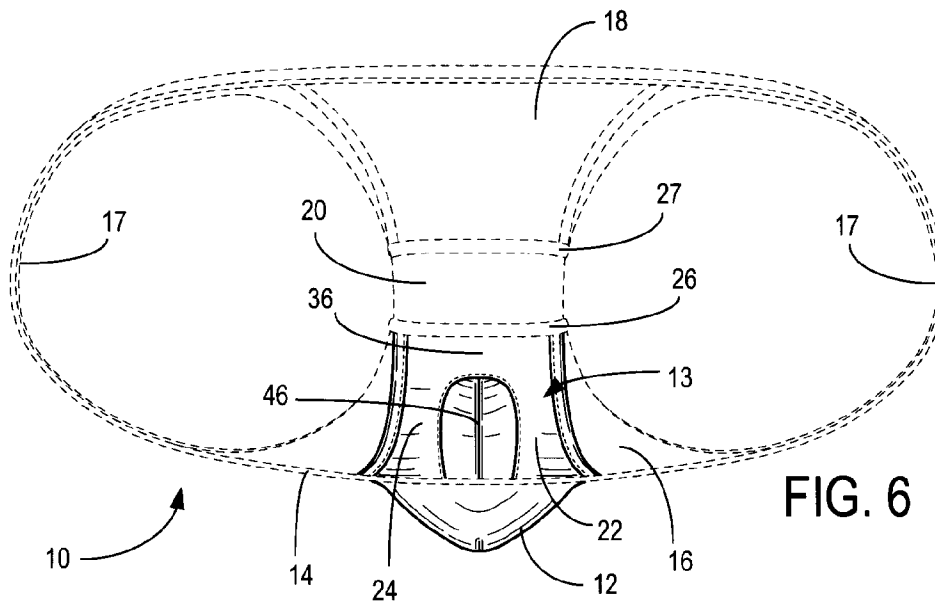


FIG. 6

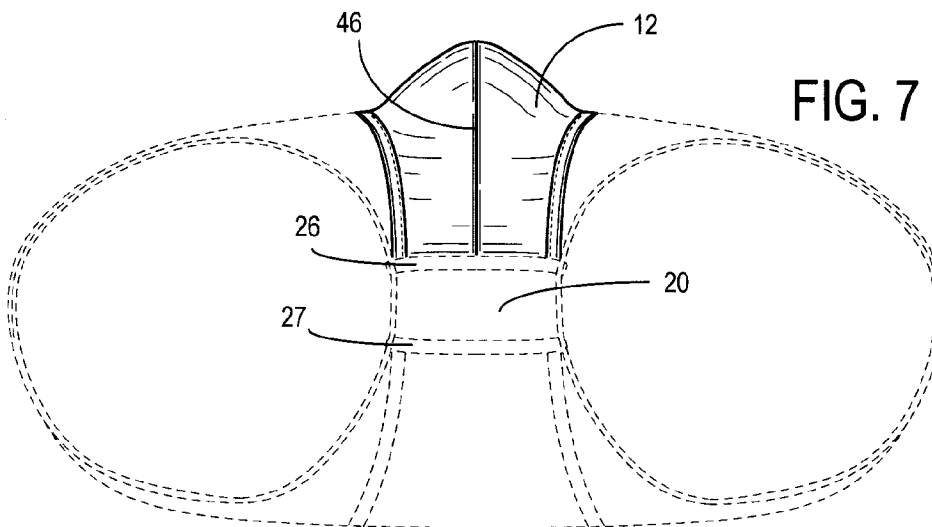


FIG. 7

