



US00D577649S

(12) **United States Design Patent**
Ettensberger

(10) **Patent No.:** **US D577,649 S**

(45) **Date of Patent:** **** Sep. 30, 2008**

(54) **FRONT FACE OF A VEHICLE WHEEL**

(75) Inventor: **Claus Ettensberger**, Gardena, CA (US)

(73) Assignee: **Claus Ettensberger Corp.**, Gardena, CA (US)

(**) Term: **14 Years**

(21) Appl. No.: **29/296,532**

(22) Filed: **Oct. 23, 2007**

(51) **LOC (8) Cl.** **12-16**

(52) **U.S. Cl.** **D12/211**

(58) **Field of Classification Search** D12/204–213;
301/37.101, 64.101, 65, 64.201

See application file for complete search history.

(56) **References Cited**

U.S. PATENT DOCUMENTS

D352,688 S *	11/1994	Boselli	D12/211
D393,239 S *	4/1998	Schmid	D12/209
D411,977 S *	7/1999	Feriero	D12/209
D428,380 S *	7/2000	Chinellato	D12/211

D444,119 S *	6/2001	Brintouch	D12/211
D451,066 S *	11/2001	Pfeiffer et al.	D12/211
D513,220 S *	12/2005	Tirado	D12/209
D522,429 S *	6/2006	Ishiwata	D12/209
D522,950 S *	6/2006	Pfeiffer	D12/211
D540,236 S *	4/2007	Hamano	D12/209

* cited by examiner

Primary Examiner—Stacia Cadmus

(74) *Attorney, Agent, or Firm*—Berenato, White & Stavish

(57) **CLAIM**

The ornamental design for a front face of a vehicle wheel, as shown and described.

DESCRIPTION

FIG. 1 is a front view of a vehicle wheel showing my new design; and,

FIG. 2 is a top and left side perspective view of the wheel shown in FIG. 1.

The broken line showing of environment is for illustrative purposes only and forms no part of the claimed design.

1 Claim, 2 Drawing Sheets

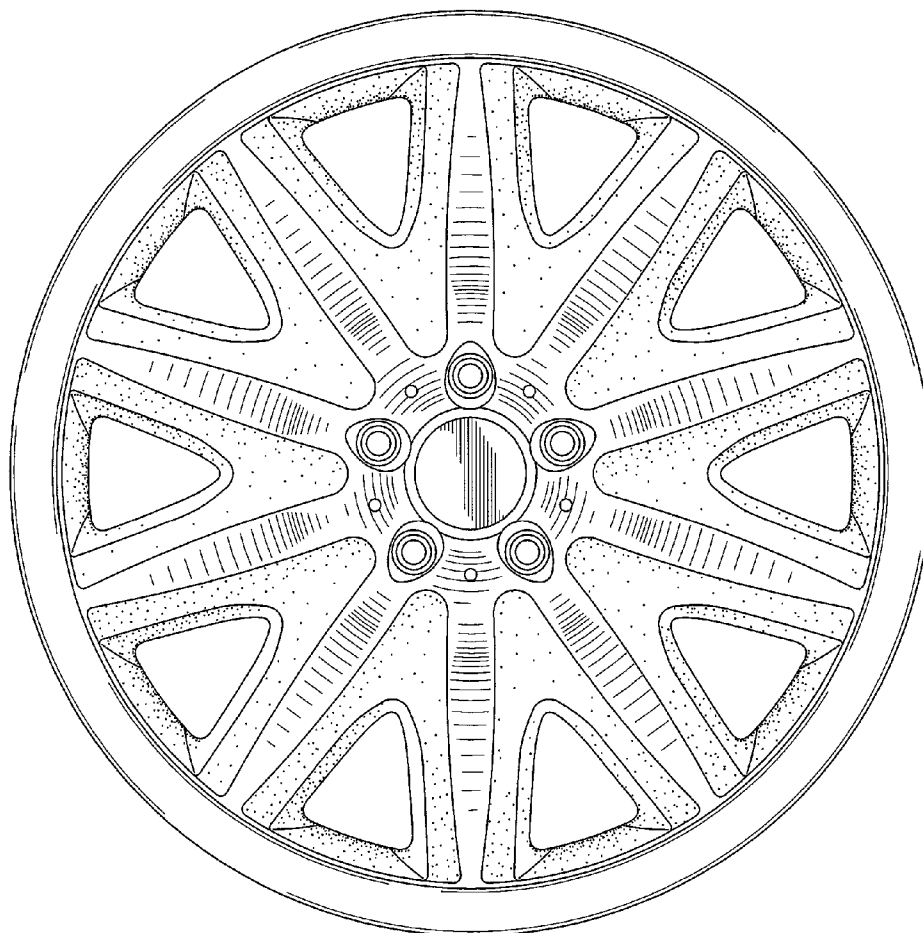


Fig. 1

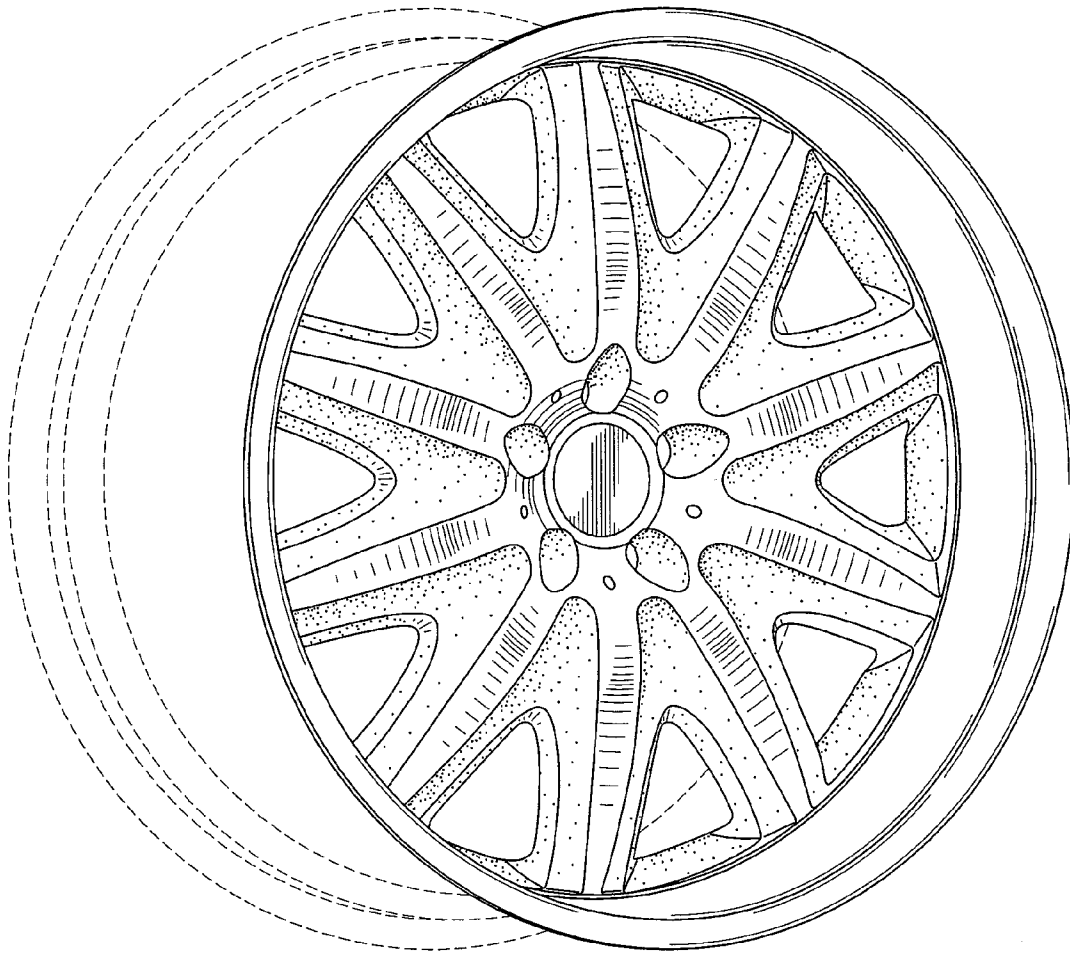


Fig. 2

