

CORRECTED VERSION

(19) World Intellectual Property Organization
International Bureau



(43) International Publication Date
9 December 2010 (09.12.2010)

(10) International Publication Number
WO 2010/141453 A8

(51) International Patent Classification:
G06F 3/042 (2006.01) G02B 6/10 (2006.01)

York 11423 (US). KOLLIN, Joel S. [US/US]; 5843 3rd
Ave NW, Seattle, WA 98107 (US).

(21) International Application Number:
PCT/US2010/036880

(74) Agents: VALENTINO, Joseph et al.; Fish & Richardson
P.C., P.O. Box 1022, Minneapolis, MN 55440-1022
(US).

(22) International Filing Date:
1 June 2010 (01.06.2010)

(81) Designated States (unless otherwise indicated, for every
kind of national protection available): AE, AG, AL, AM,
AO, AT, AU, AZ, BA, BB, BG, BH, BR, BW, BY, BZ,
CA, CH, CL, CN, CO, CR, CU, CZ, DE, DK, DM, DO,
DZ, EC, EE, EG, ES, FI, GB, GD, GE, GH, GM, GT,
HN, HR, HU, ID, IL, IN, IS, JP, KE, KG, KM, KN, KP,
KR, KZ, LA, LC, LK, LR, LS, LT, LU, LY, MA, MD,
ME, MG, MK, MN, MW, MX, MY, MZ, NA, NG, NI,
NO, NZ, OM, PE, PG, PH, PL, PT, RO, RS, RU, SC, SD,
SE, SG, SK, SL, SM, ST, SV, SY, TH, TJ, TM, TN, TR,
TT, TZ, UA, UG, US, UZ, VC, VN, ZA, ZM, ZW.

(25) Filing Language: English

(26) Publication Language: English

(30) Priority Data:
61/182,984 1 June 2009 (01.06.2009) US
61/182,992 1 June 2009 (01.06.2009) US
61/219,742 23 June 2009 (23.06.2009) US

(71) Applicant (for all designated States except US): PER-
CEPTIVE PIXEL INC. [US/US]; 111 Eighth Ave, 16th
Floor, New York, NY 10011 (US).

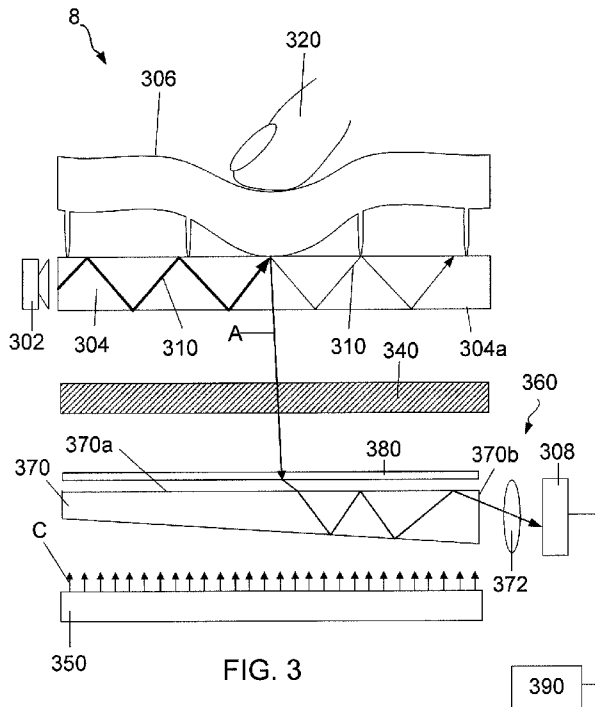
(84) Designated States (unless otherwise indicated, for every
kind of regional protection available): ARIPO (BW, GH,
GM, KE, LR, LS, MW, MZ, NA, SD, SL, SZ, TZ, UG,
ZM, ZW), Eurasian (AM, AZ, BY, KG, KZ, MD, RU, TJ,

(72) Inventors; and

(75) Inventors/Applicants (for US only): HAN, Jefferson Y.
[US/US]; 196-35 McLaughlin Ave, Holliswood, New

[Continued on next page]

(54) Title: TOUCH SENSING



(57) Abstract: A touch- screen device (8) includes an
imaging waveguide (370), in which the imaging wave-
guide has a radiation receiving surface (370a) and an im-
aging surface (370b) different than the radiation receiving
surface. The imaging waveguide is configured to receive,
at the radiation receiving surface, radiation (A) emitted by
a contact receiving structure (304), and transmit the re-
ceived radiation from a position on the radiation receiving
surface to a position and/or angle of incidence on the
imaging surface as a function of the position on the radi-
ation receiving surface at which the transmitted radiation
was received. An imaging sensor (308) coupled to the
imaging surface of the imaging optical waveguide is con-
figured to detect radiation incident upon the imaging sur-
face of the imaging optical waveguide. A processing de-
vice (390) coupled to the imaging sensor is configured to
determine contact points on a contact surface of a contact
receiving structure based on radiation detected by the
imaging sensor.

WO 2010/141453 A8



TM), European (AL, AT, BE, BG, CH, CY, CZ, DE, DK, EE, ES, FI, FR, GB, GR, HR, HU, IE, IS, IT, LT, LU, LV, MC, MK, MT, NL, NO, PL, PT, RO, SE, SI, SK, SM, TR), OAPI (BF, BJ, CF, CG, CI, CM, GA, GN, GQ, GW, ML, MR, NE, SN, TD, TG).

(88) Date of publication of the international search report:
23 June 2011

(48) Date of publication of this corrected version:
4 August 2011

Published:

— with international search report (Art. 21(3))

(15) Information about Correction:
see Notice of 4 August 2011