



(43) International Publication Date
27 December 2012 (27.12.2012)

- (51) International Patent Classification:
E02D 13/00 (2006.01) *E02D 13/04* (2006.01)
- (21) International Application Number:
PCT/NL2012/050438
- (22) International Filing Date:
22 June 2012 (22.06.2012)
- (25) Filing Language: English
- (26) Publication Language: English
- (30) Priority Data:
2006982 22 June 2011 (22.06.2011) NL
- (71) Applicant (for all designated States except US): **IHC Holland IE B.V.** [NL/NL]; Molendijk 94, NL-3361 EP Sliedrecht (NL).
- (72) Inventors; and
- (75) Inventors/Applicants (for US only): **JUNG, Boudewijn Casper** [NL/NL]; Wagnerstraat 8, NL-4614 AK Bergen op Zoom (NL). **HESSELS, Johannes Louis Leonardus** [NL/NL]; Vaanakker 16, NL-5731 JM Mierlo (NL).
- (74) Agent: **Clarkson, Paul**; Nederlandsch Octrooibureau, J.W. Frisolaan 13, NL-2517 JS The Hague (NL).

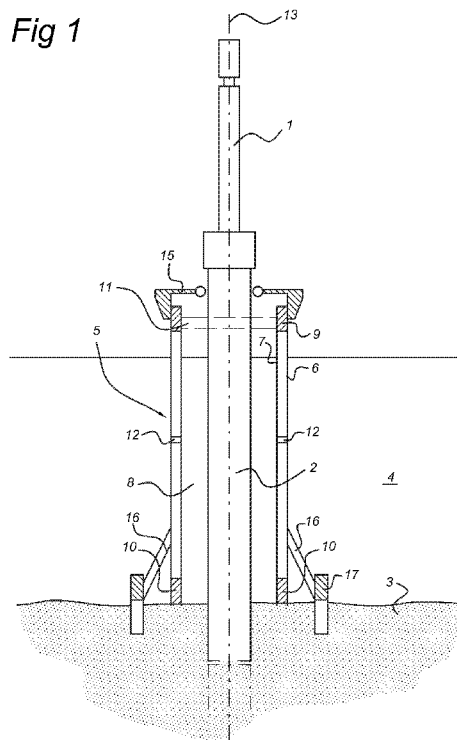
(81) Designated States (unless otherwise indicated, for every kind of national protection available): AE, AG, AL, AM, AO, AT, AU, AZ, BA, BB, BG, BH, BR, BW, BY, BZ, CA, CH, CL, CN, CO, CR, CU, CZ, DE, DK, DM, DO, DZ, EC, EE, EG, ES, FI, GB, GD, GE, GH, GM, GT, HN, HR, HU, ID, IL, IN, IS, JP, KE, KG, KM, KN, KP, KR, KZ, LA, LC, LK, LR, LS, LT, LU, LY, MA, MD, ME, MG, MK, MN, MW, MX, MY, MZ, NA, NG, NI, NO, NZ, OM, PE, PG, PH, PL, PT, QA, RO, RS, RU, RW, SC, SD, SE, SG, SK, SL, SM, ST, SV, SY, TH, TJ, TM, TN, TR, TT, TZ, UA, UG, US, UZ, VC, VN, ZA, ZM, ZW.

(84) Designated States (unless otherwise indicated, for every kind of regional protection available): ARIPO (BW, GH, GM, KE, LR, LS, MW, MZ, NA, RW, SD, SL, SZ, TZ, UG, ZM, ZW), Eurasian (AM, AZ, BY, KG, KZ, RU, TJ, TM), European (AL, AT, BE, BG, CH, CY, CZ, DE, DK, EE, ES, FI, FR, GB, GR, HR, HU, IE, IS, IT, LT, LU, LV, MC, MK, MT, NL, NO, PL, PT, RO, RS, SE, SI, SK, SM, TR), OAPI (BF, BJ, CF, CG, CI, CM, GA, GN, GQ, GW, ML, MR, NE, SN, TD, TG).

Published:

— with international search report (Art. 21(3))

(54) Title: CENTRE SYSTEM



(57) Abstract: The invention relates to an assembly for centring a first elongate tubular element and a second elongate tubular element, such as an underwater pile accommodated within a noise mitigation screen, at a common central longitudinal axis along which axis both the first and second element extend, and wherein the centre system is provided with first coupling means for fixedly coupling the centre system with one of the first and second tubular elements, and second coupling means for engaging the other tubular element for centring the other tubular element at the central axis.

Centre system

Background

5 The present invention relates to an assembly of a first and second elongate tubular element, such as an underwater pile accommodated within a noise mitigation screen, and a centre system suitable for centring the first elongate tubular element and the second elongate tubular element, and wherein the assembly has a common central longitudinal axis along which axis both the first and second tubular element extend.

10 The present invention specifically relates to an assembly having a centre system for centring and/or maintaining centred, a tubular element having a tapered section, or sections of different diameter like a telescopic pile, in particular during hammering of the tubular element having a tapered section.

 The invention further relates to a method for centring a first elongate tubular
15 element and a second elongate tubular element, such as an underwater pile accommodated within a noise mitigation screen, at a common central longitudinal axis along which axis both the first and second element extend

 US 2005/0083783 A1 discloses an underwater energy dampening device which
20 device includes a plurality of vertically spaced bubble producing units. With bubbles produced at various depths, the present invention can effectively attenuate sound and other energy from underwater construction projects in high current or deep water areas.

 US4,102,147 relates to a submersible positioning and guiding apparatus for pile
25 driving. Use of hydraulic cylinders is shown for positioning a pile within a frame. However under circumstances the positioning of the pile in the frame is insufficient leaving e.g. parallel and angular misalignment. In addition, control of the hydraulic cylinders is cumbersome.

30 **Summary of the invention**

 The invention aims to provide a assembly wherein at least one of the problems of known centre system is at least partly solved.

Yet another object of the invention is to provide an alternative centre system. According to a first aspect of the invention this is realized with an assembly of a first and second elongate tubular element, such as an underwater pile accommodated within a noise mitigation screen, and a centre system suitable for centring the first elongate tubular element and the second elongate tubular element, and wherein the assembly has a common central longitudinal axis along which axis both the first and second tubular element extend and wherein the centre system comprises;

- a first coupling means for fixedly coupling the centre system with one of the first and second tubular elements, and
 - a second coupling means for engaging the other of the first and second tubular element for centring the other tubular element at the common central longitudinal axis, and
 - a drive system having at least two drive means arranged around the common central longitudinal axis, each drive means having a line of action for applying a centring force at a circumference of one of the first and second tubular elements towards a centred position of said one of the first and second tubular elements at the common central longitudinal axis, wherein the at least two drive means are mutually coupled for evenly driving said one of the first and second tubular elements for maintaining said one of the first and second tubular elements in its centred position,
- and wherein the centre system is fixedly coupled with the one of the first and second tubular elements, and engages the other tubular element for centring the other tubular element at the common central longitudinal axis such that an intermediate space between the one of the first and second tubular elements and the other tubular element is optimal with respect to noise dampening.

This provides the possibility of maintaining a pile with a tapered section in its centred position relative to an outer tubular element such that an intermediate space between the pile and the outer tubular element is optimal with respect to noise dampening. The at least two drive means being mutually coupled for evenly driving said one of the first and second tubular elements for maintaining said one of the first and second tubular elements in its centred position ensures that optimal noise

dampening is maintained independent of external loads, like flow or swell, to the first and second tubular elements.

The centre system of the assembly is also useful when using one of the first elongate tubular element and second elongate tubular element as a template for the other. Thus, said one tubular element provides a reference for the other tubular element.

In this connection a centred position may be interpreted broadly such that it means e.g. that both an underwater pile and a noise mitigation screen are centred at a common central longitudinal axis such that noise transmission from the pile to the surrounding is dampened. In practice a considerable off centred pile or screen still may result in a dampened noise transmission.

The centre system is capable to accommodate considerable side forces which occur during offshore use.

In an embodiment of the centre system, the second coupling means couples the centring system and the other of the first and second tubular element (2) such that longitudinal movement of the other of the first and second tubular element (2) along the central axis is allowed.

In an embodiment of the assembly, the at least two drive means are symmetrically and/or evenly distributed around the central axis. This is even more beneficial for centring the first and second tubular element in a controlled manner.

In an embodiment of the assembly, the at least two drive means are oppositely arranged around the central axis.

In an embodiment of the assembly, the line of action of each drive means, intersects the central longitudinal axis. This is beneficial for the effectiveness of the assembly.

30

In an embodiment of the assembly, the drive system comprises three drive means.

In an embodiment of the assembly, the centre system comprises a hydraulic system and wherein the drive system is part of the hydraulic system.

In an embodiment of the assembly, a first drive means of the at least two drive means comprises a first hydraulic cylinder and a second drive means of the at least two drive means comprises a second hydraulic cylinder, the first and second hydraulic cylinder being mutually volumetrically coupled for evenly driving said one of the first and second tubular elements for maintaining said one of the first and second tubular elements in its centred position. This is beneficial in connection with control of the drive means. Because of the volumetric coupling the first and second cylinder are evenly driven.

In an embodiment of the assembly, the first and second hydraulic cylinder are mutually hydraulically series coupled for evenly driving said one of the first and second tubular elements for maintaining said one of the first and second tubular elements in its centred position. This is even more beneficial in connection with control of the drive means. Powering one of the first and second hydraulic cylinders, drives the other cylinder as well in an even manner.

In an embodiment, the assembly comprises a first source of pressurized hydraulic fluid for biasing the said one of the first and second tubular elements towards its centred position.

In an embodiment of the assembly, the first source of pressurized fluid is directly coupled with only one of the first and second hydraulic cylinder. This is beneficial for ease of operation and construction of the assembly.

In an embodiment of the assembly, the second coupling means comprises at least one of the following, a levering means, a rolling means, and a sliding means, for engaging the other tubular element for centring the other tubular element at the central axis. In particular the levering means, do even more facilitate the centre system to centre a tubular element having a tapered section.

In an embodiment, the assembly comprises a plurality of centre systems arranged along the central axis for mutually aligning the first and second elongate tubular element at the central axis.

- 5 The invention further relates to a method for centring a first elongate tubular element and a second elongate tubular element, such as an underwater pile accommodated within a noise mitigation screen, at a common central longitudinal axis along which axis both the first and second element extend, and wherein the method comprises;
- 10 – providing a drive system for applying a centring force, having at least two drive means arranged around the central axis,
- applying a centring force at a circumference of one of the first and second tubular elements towards a centred position of said one of the first and second tubular elements at the central axis,
- 15 – evenly driving the at least two drive means for maintaining said one of the first and second tubular elements in its centred position.

The invention further relates to a device comprising one or more of the characterising features described in the description and/or shown in the attached
20 drawings.

The invention further relates to a method comprising one or more of the characterising features described in the description and/or shown in the attached drawings.

The various aspects discussed in this patent can be combined in order to provide
25 additional advantages.

Description of the drawings

The invention will be further elucidated referring to a preferred embodiment
30 shown in the drawing wherein shown in:

Fig. 1 in a cross sectional side view an assembly of a centre system and a first and second tubular element;

fig. 2 a top view of a centre system according to the invention;

fig 3 a schematic view a hydraulic system of an embodiment of the centre system according to the invention; and

fig. 4 a side view of a detail of an embodiment of the centre system according to the invention.

5

Detailed description of embodiments

Fig. 1 shows in a cross sectional side view an assembly of a centre system 11, which is schematically depicted, and a first and second tubular element. The figure 1 shows a pile-driving device 1 by means of which a tubular element here a pile element 10 2 can be driven into the bottom 3 of a body of water 4. A second tubular element, here an elongate tube 5, is provided around the pile element 2. In this case, the elongate tube 5 comprises an outer wall 6 and an inner wall 7. The pile element 2 and the tube 5 are ideally arranged concentrically with respect to one another along a central axis 13, with 15 an intermediate space 8 being present between the pile element 2 and the tube 5.

In the illustrated embodiment, the pile 2 and tube 5 is of a substantially cylindrical design. In other embodiments (not shown), the tube may of course have another shape, provided that an intermediate space is formed between the outer and 20 inner wall which can reduce the transmission of noise or vibrations to the environment.

The tube 5 is preferably made from steel walls. The structure of the tube may be self-supporting, which means that no separate supporting structure has to be provided in order to keep the tube in its vertical position.

25

Fig. 1 shows that a centre system 11 is provided at the top of the tube 5. Here, the centre system 11 is schematically depicted. In practice several centre systems 11 may be arranged along the length of the pile 2 for centring and aligning the pile 2 with the tube 5. This centre system 11 ensures that the source of sound, being the pile 2 while 30 being hammered down by hammering installation 1, remains centred in the tube 5, which is an optimal position in view of noise dampening. The diameter of the pile 2 can vary along its length, therefore the centre system is adjustable so that this variation can be allowed and in addition any intended narrowing and/or widening of the pile 2 can be

accommodated by the centre system. The pile 2 may for example have a tapered section, or sections of different cross section like a telescopic pile.

The dimensions of the centre system vary, depending on the dimensions of the sound source, being the pile 2. The pile may have a characteristic diameter of 4-6 m or more, the diameter of the tube 5 will in practice be 7 m or more, so that the distance between the sound source and the inner side of the tube is sufficiently large to prevent contact noise (that is to say transmission of noise by direct contact between the sound source and the tube).

10

Fig. 2 shows a top view of a centre system 11 according to the invention. Here, the centre system 11 is fixedly coupled with tube 5, and engages the pile 2 for centring the pile 2 at the central axis 13. The first coupling means 30a, 30b, 30c fixedly couple the centre system 11 with the tube 5. The second coupling means 31a, 31b, 31c engage the pile 2 for centring the pile at the central axis 13. The pile 2 is able to slide with respect to the second coupling means 31a, 31b, 31c. The drive system has three drive means 28a, 28b, 28c evenly arranged around the central axis 13. Here, each drive means 28a, 28b, 28c has a line of action 32a, 32b, 32c for applying a centring force at a circumference of the pile 2 towards a centred position of the pile at the central axis 13.

20

Fig 3 shows a schematic view a hydraulic system 14 of an embodiment of the centre system 11 according to the invention. The hydraulic system 14 is divided in number of hydraulic sections 18, 19, 20 and 21, separated by respective cylinder pistons 22, 23, 24. The hydraulic sections, though separated with respect to hydraulic fluid itself, are series coupled with respect to displaced volume of hydraulic fluid. When during operation, the piston 22 of the first hydraulic cylinder is forced to move over a certain stroke, e.g. because of a tapered section of a pile 2, a certain volume of hydraulic fluid is displaced in the second hydraulic section 19. The piston diameter 23 of a subsequent hydraulic cylinder 26 is chosen such that the displaced volume of the second hydraulic section 19 forces the piston 23 of the second hydraulic cylinder to move over a stroke that is equal to that certain stroke of the piston 22 of the first hydraulic cylinder 25. This way, the pile 5 is maintained in its centred position at the central axis 13.

30

It is conceivable that the hydraulic system 14 comprises two accumulators as a source of pressurized fluid for driving the hydraulic cylinders. Each end of the hydraulic system is coupled with one of the two accumulators. One accumulator 37 is shown, the other accumulator (not shown) is coupled with hydraulic section 21 which section in fig. 3 is coupled with valve unit 38. Providing two accumulators is beneficial since in that case no supply conduits to the centre system are required during driving of the pile while still providing a controlled actuation of the hydraulic cylinders of the centre system 1.

10

Fig. 4 shows a detail of an embodiment of the centre system according to the invention.

A lever arrangement 34 is applied as a first coupling means to fixedly couple the centre system 11 with the tube 5. A contact wheel 35 is applied as a second coupling means to engage the pile 2 for centring the pile at the central axis 13. The pile 2 is able to slide with respect to the wheel 35. The running surface 32 of the wheel 35 engages the outer circumference 33 of the pile 2. Here, a drive means 28a is coupled with the tube 5 and the lever arrangement 34 for applying a centring force at a circumference of the pile 2 towards a centred position of the pile at the central axis 13. The drive means 28a applies the centring force by means of the lever arrangement 34 and the wheel 35. The drive means 28a is hingeably coupled with the pile 2. The drive means 28a is coupled with the lever arrangement 34 in a sliding manner.

It will also be obvious after the above description and drawings are included to illustrate some embodiments of the invention, and not to limit the scope of protection. Starting from this disclosure, many more embodiments will be evident to a skilled person which are within the scope of protection and the essence of this invention and which are obvious combinations of prior art techniques and the disclosure of this patent.

30

Claims

1. Assembly of a first and second elongate tubular element (2, 5), such as an
5 underwater pile accommodated within a noise mitigation screen, and a centre
system (11) suitable for centring the first elongate tubular element (2) and the
second elongate tubular element (5), and wherein the assembly has a common
central longitudinal axis (13) along which axis both the first and second tubular
element extend and wherein the centre system comprises;
- 10 – a first coupling means (30a, 30 b, 30c) for fixedly coupling the centre system
with one of the first and second tubular elements, and
- a second coupling means (31a, 31b, 31c) for engaging the other of the first and
second tubular element for centring the other tubular element at the common
central longitudinal axis (13), and
- 15 – a drive system having at least two drive means (28a, 28b, 28c) arranged around
the common central longitudinal axis (13), each drive means having a line of
action (32a, 32b, 32c) for applying a centring force at a circumference of one of
the first and second tubular elements towards a centred position of said one of
the first and second tubular elements at the common central longitudinal axis
20 (13), wherein the at least two drive means are mutually coupled for evenly
driving said one of the first and second tubular elements for maintaining said
one of the first and second tubular elements in its centred position,
and wherein the centre system is fixedly coupled with the one of the first and
second tubular elements, and engages the other tubular element for centring the
25 other tubular element at the common central longitudinal axis (13) such that an
intermediate space (8) between the one of the first and second tubular elements and
the other tubular element is optimal with respect to noise dampening.
2. Assembly according to claim 1, the second coupling means being suitable for
30 coupling the centring system and the other of the first and second tubular element
(2) for allowing longitudinal movement of the other of the first and second tubular
element (2) along the common central longitudinal axis (13).

3. Assembly according to a preceding claim, wherein the at least two drive means are symmetrically and/or evenly distributed around the common central longitudinal axis (13).
- 5 4. Assembly according to claim 3, wherein the at least two drive means are oppositely arranged around the common central longitudinal axis (13).
5. Assembly according to a preceding claim, wherein the line of action of each drive means, intersects the common central longitudinal axis (13).
- 10 6. Assembly according to a preceding claim, wherein the drive system comprises three drive means.
7. Assembly according to a preceding claim, wherein the centre system comprises a
15 hydraulic system and wherein the drive system is part of the hydraulic system.
8. Assembly according to claim 7, wherein a first drive means of the at least two drive means comprises a first hydraulic cylinder and a second drive means of the at least two drive means comprises a second hydraulic cylinder, the first and second
20 hydraulic cylinder being mutually volumetrically coupled for evenly driving said one of the first and second tubular elements for maintaining said one of the first and second tubular elements in its centred position.
9. Assembly according to claim 8, wherein the first and second hydraulic cylinder are
25 mutually hydraulically series coupled for evenly driving said one of the first and second tubular elements for maintaining said one of the first and second tubular elements in its centred position.
10. Assembly according to claim 7-9, comprising a first source of pressurized hydraulic
30 fluid for biasing the said one of the first and second tubular elements towards its centred position.

11. Assembly according to claim 8-10, wherein the first source of pressurized fluid is directly coupled with only one of the first and second hydraulic cylinder.
12. Assembly according to a preceding claim, wherein the second coupling means
5 comprises at least one of the following, a levering means (34), a rolling means (35) and a sliding means, for engaging the other tubular element (2) for centring the other tubular element at the central axis (13).
13. Assembly according to a preceding claim, comprising a plurality of centre systems
10 arranged along the central axis for mutually aligning the first and second elongate tubular element at the central axis.
14. Method for centring a first elongate tubular element (2) and a second elongate tubular element (5), such as an underwater pile accommodated within a noise
15 mitigation screen, at a common central longitudinal axis (13) along which axis both the first and second element extend, and wherein the method comprises;
- providing a drive system for applying a centring force, having at least two drive means arranged around the central axis,
 - applying a centring force at a circumference of one of the first and second
20 tubular elements towards a centred position of said one of the first and second tubular elements at the central axis,
 - evenly driving the at least two drive means for maintaining said one of the first and second tubular elements in its centred position.

Fig 1

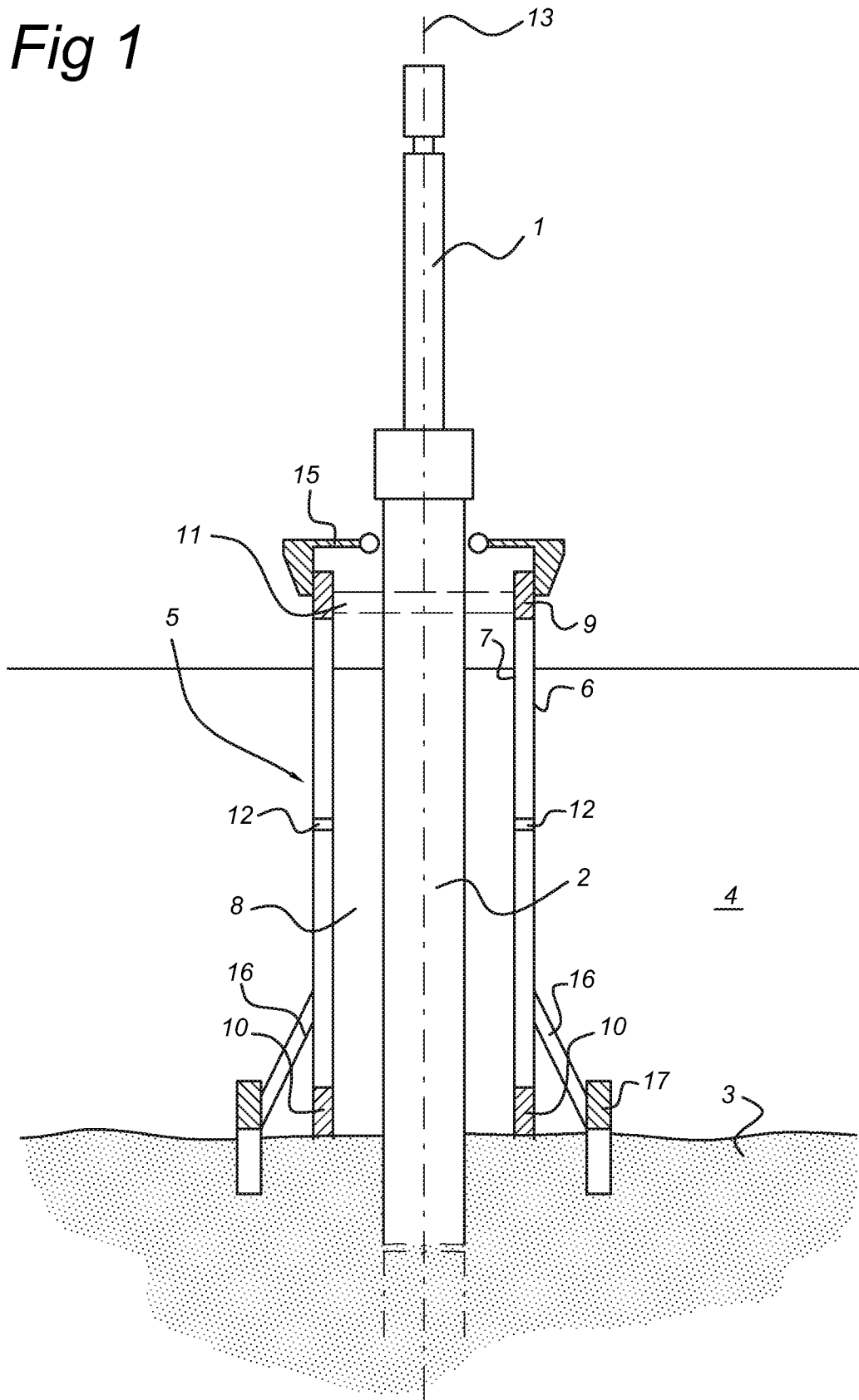


Fig 2

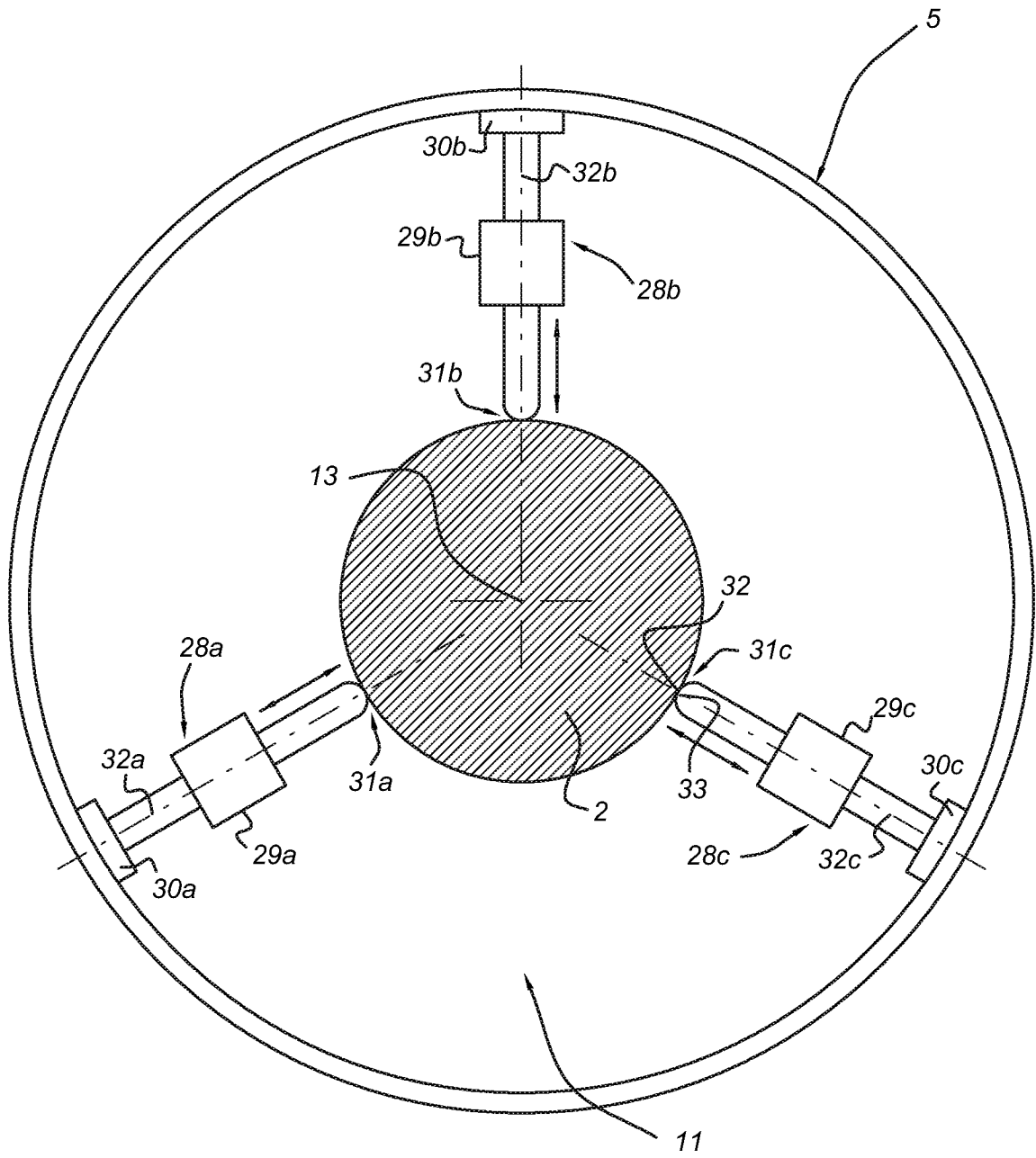


Fig 3

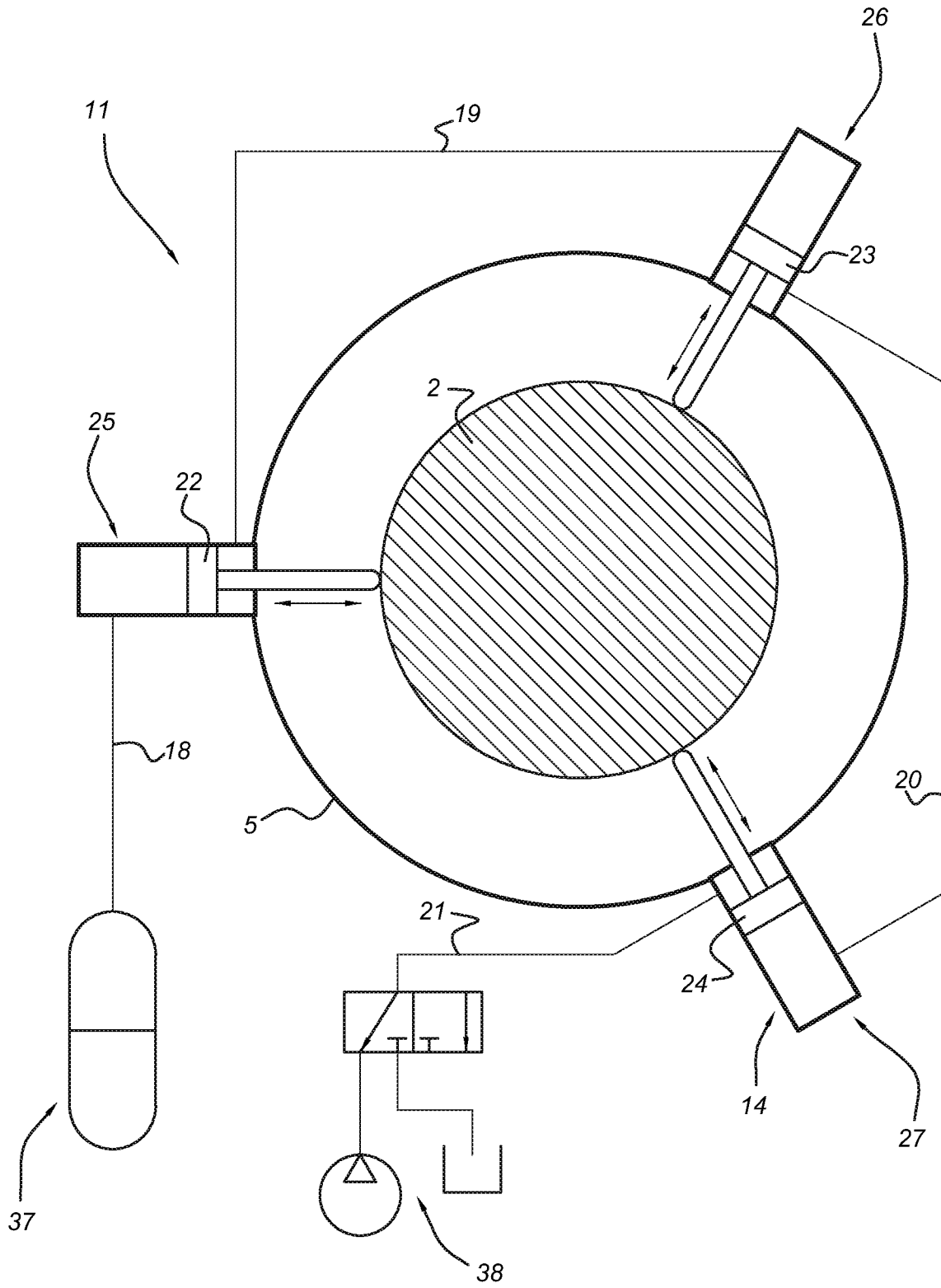
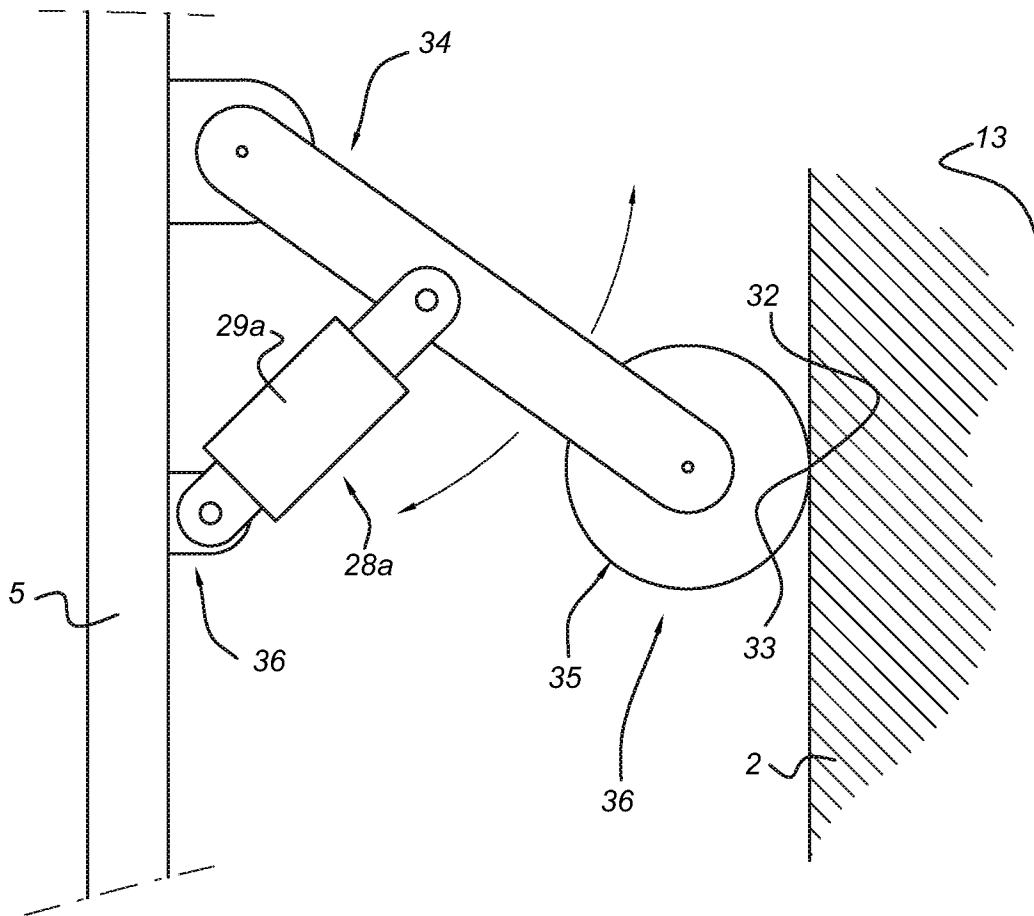


Fig 4



INTERNATIONAL SEARCH REPORT

International application No PCT/NL2012/050438

A. CLASSIFICATION OF SUBJECT MATTER INV. E02D13/00 E02D13/04 ADD.				
According to International Patent Classification (IPC) or to both national classification and IPC				
B. FIELDS SEARCHED				
Minimum documentation searched (classification system followed by classification symbols) E02D				
Documentation searched other than minimum documentation to the extent that such documents are included in the fields searched				
Electronic data base consulted during the international search (name of data base and, where practicable, search terms used) EPO-Internal				
C. DOCUMENTS CONSIDERED TO BE RELEVANT				
Category*	Citation of document, with indication, where appropriate, of the relevant passages	Relevant to claim No.		
X	JP 2011 012394 A (SUMITOMO FORESTRY) 20 January 2011 (2011-01-20) paragraphs [0024] - [0032]; figures 1-8 -----	1-14		
X	JP 8 049235 A (TOYO TECHNO KK) 20 February 1996 (1996-02-20) paragraphs [0019] - [0027]; figures 3,6 -----	1-14		
A	WO 2010/151121 A2 (IHC HOLLAND IE BV [NL]; JUNG BOUDEWIJN CASPER [NL]; WESTERBEEK JAN ALB) 29 December 2010 (2010-12-29) page 8, lines 18-22; figure 1 -----	1-14		
A	US 2005/083783 A1 (BASKERVILLE ANDREW J [US] ET AL) 21 April 2005 (2005-04-21) cited in the application paragraphs [0038] - [0041]; figures 1,3 ----- -/--	1-5,12		
<input checked="" type="checkbox"/> Further documents are listed in the continuation of Box C. <input checked="" type="checkbox"/> See patent family annex.				
* Special categories of cited documents : <table style="width: 100%; border: none;"> <tr> <td style="width: 50%; border: none; vertical-align: top;"> "A" document defining the general state of the art which is not considered to be of particular relevance "E" earlier application or patent but published on or after the international filing date "L" document which may throw doubts on priority claim(s) or which is cited to establish the publication date of another citation or other special reason (as specified) "O" document referring to an oral disclosure, use, exhibition or other means "P" document published prior to the international filing date but later than the priority date claimed </td> <td style="width: 50%; border: none; vertical-align: top;"> "T" later document published after the international filing date or priority date and not in conflict with the application but cited to understand the principle or theory underlying the invention "X" document of particular relevance; the claimed invention cannot be considered novel or cannot be considered to involve an inventive step when the document is taken alone "Y" document of particular relevance; the claimed invention cannot be considered to involve an inventive step when the document is combined with one or more other such documents, such combination being obvious to a person skilled in the art "&" document member of the same patent family </td> </tr> </table>			"A" document defining the general state of the art which is not considered to be of particular relevance "E" earlier application or patent but published on or after the international filing date "L" document which may throw doubts on priority claim(s) or which is cited to establish the publication date of another citation or other special reason (as specified) "O" document referring to an oral disclosure, use, exhibition or other means "P" document published prior to the international filing date but later than the priority date claimed	"T" later document published after the international filing date or priority date and not in conflict with the application but cited to understand the principle or theory underlying the invention "X" document of particular relevance; the claimed invention cannot be considered novel or cannot be considered to involve an inventive step when the document is taken alone "Y" document of particular relevance; the claimed invention cannot be considered to involve an inventive step when the document is combined with one or more other such documents, such combination being obvious to a person skilled in the art "&" document member of the same patent family
"A" document defining the general state of the art which is not considered to be of particular relevance "E" earlier application or patent but published on or after the international filing date "L" document which may throw doubts on priority claim(s) or which is cited to establish the publication date of another citation or other special reason (as specified) "O" document referring to an oral disclosure, use, exhibition or other means "P" document published prior to the international filing date but later than the priority date claimed	"T" later document published after the international filing date or priority date and not in conflict with the application but cited to understand the principle or theory underlying the invention "X" document of particular relevance; the claimed invention cannot be considered novel or cannot be considered to involve an inventive step when the document is taken alone "Y" document of particular relevance; the claimed invention cannot be considered to involve an inventive step when the document is combined with one or more other such documents, such combination being obvious to a person skilled in the art "&" document member of the same patent family			
Date of the actual completion of the international search	Date of mailing of the international search report			
22 August 2012	29/08/2012			
Name and mailing address of the ISA/ European Patent Office, P.B. 5818 Patentlaan 2 NL - 2280 HV Rijswijk Tel. (+31-70) 340-2040, Fax: (+31-70) 340-3016	Authorized officer Leroux, Corentine			

INTERNATIONAL SEARCH REPORT

International application No
PCT/NL2012/050438

C(Continuation). DOCUMENTS CONSIDERED TO BE RELEVANT		
Category*	Citation of document, with indication, where appropriate, of the relevant passages	Relevant to claim No.
A	US 3 502 159 A (POGONOWSKI IVO C) 24 March 1970 (1970-03-24) column 5, line 61 - column 7, line 17; figures 3-5 -----	1-14
A	US 4 102 147 A (JANSZ JOOST W) 25 July 1978 (1978-07-25) cited in the application figure 3 -----	14
A	DE 20 2009 006507 U1 (BARD ENGINEERING GMBH [DE]) 6 August 2009 (2009-08-06) paragraph [0045]; figures 11,12a-c -----	1-14

INTERNATIONAL SEARCH REPORT

Information on patent family members

International application No PCT/NL2012/050438

Patent document cited in search report	Publication date	Publication date	Patent family member(s)	Publication date
JP 2011012394	A	20-01-2011	NONE	

JP 8049235	A	20-02-1996	NONE	

WO 2010151121	A2	29-12-2010	EP 2446090 A2	02-05-2012
			US 2012097476 A1	26-04-2012
			WO 2010151121 A2	29-12-2010

US 2005083783	A1	21-04-2005	NONE	

US 3502159	A	24-03-1970	NONE	

US 4102147	A	25-07-1978	JP 52048210 A	16-04-1977
			JP 55003498 B	25-01-1980
			NL 7512022 A	15-04-1977
			US 4102147 A	25-07-1978

DE 202009006507	U1	06-08-2009	NONE	
