

(19) World Intellectual Property Organization
International Bureau



(43) International Publication Date
23 December 2010 (23.12.2010)

(10) International Publication Number
WO 2010/146569 A3

- (51) **International Patent Classification:**
F03G 7/00 (2006.01) *F23C 13/02* (2006.01)
- (21) **International Application Number:**
PCT/IB2010/052767
- (22) **International Filing Date:**
18 June 2010 (18.06.2010)
- (25) **Filing Language:** Italian
- (26) **Publication Language:** English
- (30) **Priority Data:**
PI2009A000076 19 June 2009 (19.06.2009) IT
- (71) **Applicant (for all designated States except US):** ACTA S.P.A. [IT/IT]; Via di Lavoria, 56/G, I-56040 CRESPIA (IT).
- (72) **Inventors; and**
- (75) **Inventors/Applicants (for US only):** TAMPUCCI, Alessandro [IT/IT]; Via Guido Rossa, 36/A, I-57014 COLLESALVETTI (IT). BERT, Paolo [IT/IT]; Via dei Castagni, 22, I-56035 LARI (IT).
- (74) **Agents:** GERVASI, Gemma et al.; Corso di Porta Vittoria 9, I-20122 MILANO (IT).
- (81) **Designated States (unless otherwise indicated, for every kind of national protection available):** AE, AG, AL, AM, AO, AT, AU, AZ, BA, BB, BG, BH, BR, BW, BY, BZ,

CA, CH, CL, CN, CO, CR, CU, CZ, DE, DK, DM, DO, DZ, EC, EE, EG, ES, FI, GB, GD, GE, GH, GM, GT, HN, HR, HU, ID, IL, IN, IS, JP, KE, KG, KM, KN, KP, KR, KZ, LA, LC, LK, LR, LS, LT, LU, LY, MA, MD, ME, MG, MK, MN, MW, MX, MY, MZ, NA, NG, NI, NO, NZ, OM, PE, PG, PH, PL, PT, RO, RS, RU, SC, SD, SE, SG, SK, SL, SM, ST, SV, SY, TH, TJ, TM, TN, TR, TT, TZ, UA, UG, US, UZ, VC, VN, ZA, ZM, ZW.

(84) **Designated States (unless otherwise indicated, for every kind of regional protection available):** ARIPO (BW, GH, GM, KE, LR, LS, MW, MZ, NA, SD, SL, SZ, TZ, UG, ZM, ZW), Eurasian (AM, AZ, BY, KG, KZ, MD, RU, TJ, TM), European (AL, AT, BE, BG, CH, CY, CZ, DE, DK, EE, ES, FI, FR, GB, GR, HR, HU, IE, IS, IT, LT, LU, LV, MC, MK, MT, NL, NO, PL, PT, RO, SE, SI, SK, SM, TR), OAPI (BF, BJ, CF, CG, CI, CM, GA, GN, GQ, GW, ML, MR, NE, SN, TD, TG).

Declarations under Rule 4.17:

— of inventorship (Rule 4.17(iv))

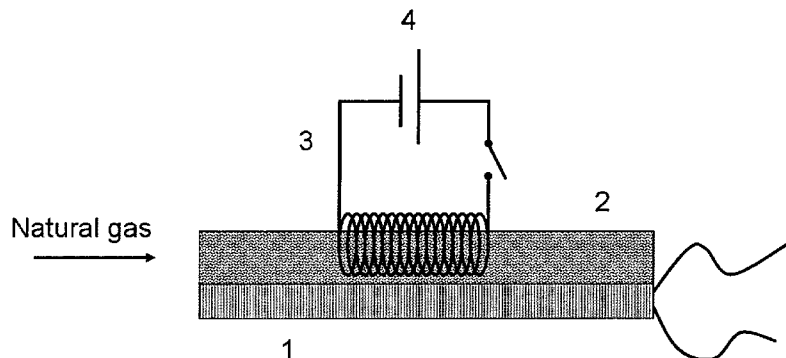
Published:

— with international search report (Art. 21(3))

(88) **Date of publication of the international search report:**

24 March 2011

(54) **Title:** DEVICE FOR GENERATING ELECTRICAL SIGNALS FROM GASEOUS FUELS



(57) **Abstract:** Herein is described a device powered by a fuel gas and able to produce electrical signals for use within smart gas-meters enabled for remote reading. Catalysts based on Ir for flameless combustion are also described, such catalysts supported on microporous refractory material.

WO 2010/146569 A3

INTERNATIONAL SEARCH REPORT

International application No

PCT/IB2010/052767

A: CLASSIFICATION OF SUBJECT MATTER
 INV. F03G7/00 F23C13/02
 ADD.

According to International Patent Classification (IPC) or to both national classification and IPC

B. FIELDS SEARCHED

Minimum documentation searched (classification system followed by classification symbols)
 F03G F23C

Documentation searched other than minimum documentation to the extent that such documents are included in the fields searched

Electronic data base consulted during the international search (name of data base and, where practical, search terms used)

EPO-Internal

C. DOCUMENTS CONSIDERED TO BE RELEVANT

Category*	Citation of document, with indication, where appropriate, of the relevant passages	Relevant to claim No.
X	US 2004/209206 A1 (HOCKADAY ROBERT G [US] ET AL) 21 October 2004 (2004-10-21) * abstract paragraphs [0005], [0067] claims 24,25	1-13
X	WO 2006/021009 A (UT BATTELLE LLC [US]; UNIV TENNESSEE RES FOUNDATION [US]; HU ZHIYU [US] 23 February 2006 (2006-02-23) * abstract figure 5	1-13
A	US 4 493 750 A (OLMSTED JAMES F [US] ET AL) 15 January 1985 (1985-01-15) the whole document	1-13
	----- -/-- -----	

 Further documents are listed in the continuation of Box C. See patent family annex.

* Special categories of cited documents :

- *A* document defining the general state of the art which is not considered to be of particular relevance
- *E* earlier document but published on or after the international filing date
- *L* document which may throw doubts on priority claim(s) or which is cited to establish the publication date of another citation or other special reason (as specified)
- *O* document referring to an oral disclosure, use, exhibition or other means
- *P* document published prior to the international filing date but later than the priority date claimed

- *T* later document published after the international filing date or priority date and not in conflict with the application but cited to understand the principle or theory underlying the invention
- *X* document of particular relevance; the claimed invention cannot be considered novel or cannot be considered to involve an inventive step when the document is taken alone
- *Y* document of particular relevance; the claimed invention cannot be considered to involve an inventive step when the document is combined with one or more other such documents, such combination being obvious to a person skilled in the art.
- *&* document member of the same patent family

Date of the actual completion of the international search

16 December 2010

Date of mailing of the international search report

27/12/2010

Name and mailing address of the ISA/

European Patent Office, P.B. 5818 Patentlaan 2
 NL - 2280 HV Rijswijk
 Tel. (+31-70) 340-2040,
 Fax: (+31-70) 340-3016

Authorized officer

Giorgini, Gabriele

INTERNATIONAL SEARCH REPORT

International application No

PCT/IB2010/052767

C(Continuation). DOCUMENTS CONSIDERED TO BE RELEVANT

Category*	Citation of document, with indication, where appropriate, of the relevant passages	Relevant to claim No.
A	WO 99/40377 A (WELLES CLIFFORD [US]) 12 August 1999 (1999-08-12) the whole document	1-13
A	US 5 901 698 A (WELLES CLIFFORD G [US]) 11 May 1999 (1999-05-11) the whole document	1-13

INTERNATIONAL SEARCH REPORT

Information on patent family members

International application No

PCT/IB2010/052767

Patent document cited in search report	Publication date	Patent family member(s)	Publication date
US 2004209206 A1	21-10-2004	US 2010227286 A1	09-09-2010
WO 2006021009 A	23-02-2006	NONE	
US 4493750 A	15-01-1985	NONE	
WO 9940377 A	12-08-1999	DE 69934481 T2	27-09-2007
		EP 1053436 A1	22-11-2000
		US 6062210 A	16-05-2000
		US 6289888 B1	18-09-2001
US 5901698 A	11-05-1999	US 6138665 A	31-10-2000