



US00D341584S

United States Patent [19]

[11] Patent Number: **Des. 341,584**

Shepard et al.

[45] Date of Patent: **** Nov. 23, 1993**

[54] **OPTICAL SCANNER**

4,818,856 4/1989 Matsushima et al. 235/462 X
5,184,005 2/1993 Ukai et al. 235/462 X

[75] Inventors: **Howard M. Shepard**, Great River;
Edward Barkan, Miller Place, both of
N.Y.

OTHER PUBLICATIONS

Metrologic MS900 Series Hand-Held Laser S Brochure.

[73] Assignee: **Symbol Technologies, Inc.**, Bohemia,
N.Y.

Primary Examiner—Wallace R. Burke

Assistant Examiner—M. H. Tung

[**] Term: **14 Years**

[57] CLAIM

[21] Appl. No.: **869,714**

The ornamental design for a optical scanner, as shown and described.

[22] Filed: **Apr. 17, 1992**

[52] U.S. Cl. **D14/116**

[58] Field of Search D14/100, 114, 116;
235/375, 378, 385, 454, 462, 472, 486;
354/80-82; 382/58-69; 250/203.1, 216, 566,
568; D26/37, 45, 50

DESCRIPTION

FIG. 1 is a perspective view of an optical scanner showing our new design;

FIG. 2 is a front elevational view thereof;

FIG. 3 is a left side elevational view thereof, the opposite side being a mirror image;

FIG. 4 is a top plan view thereof;

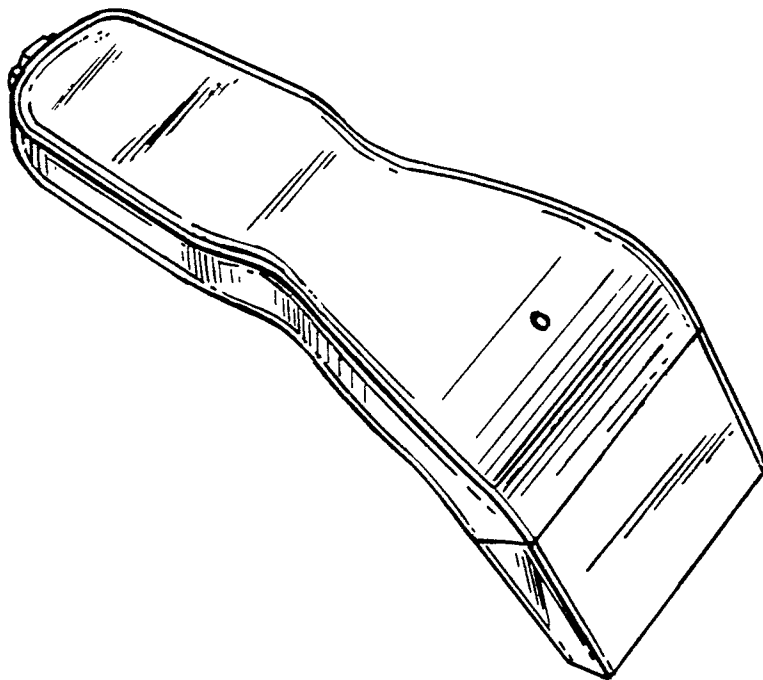
FIG. 5 is a rear elevational view thereof; and,

FIG. 6 is a bottom plan view thereof.

[56] References Cited

U.S. PATENT DOCUMENTS

D. 331,576 12/1992 Yamanaka D14/116



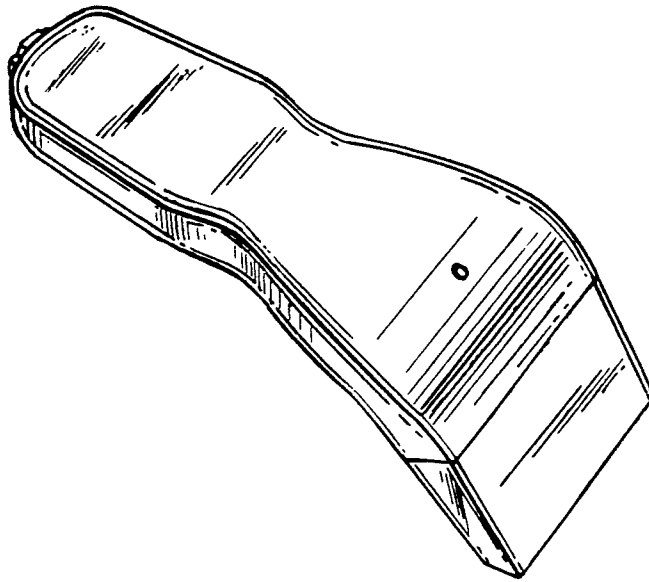


FIG. 1

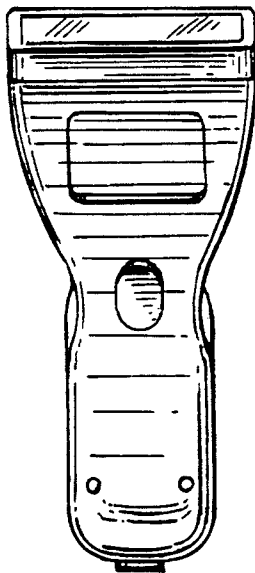


FIG. 2

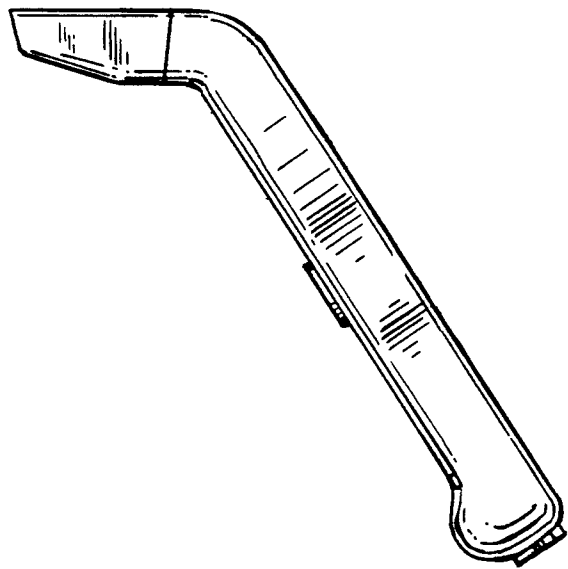


FIG. 3

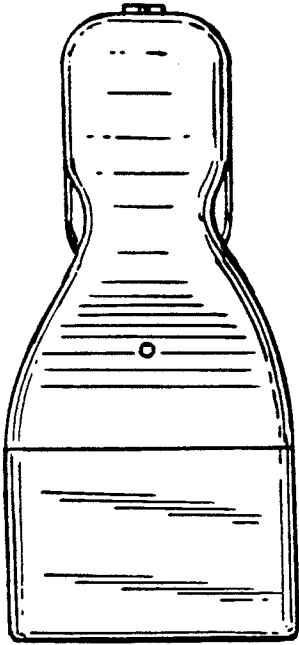


FIG. 4

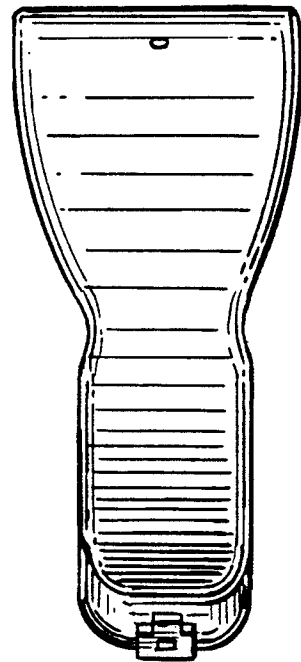


FIG. 5

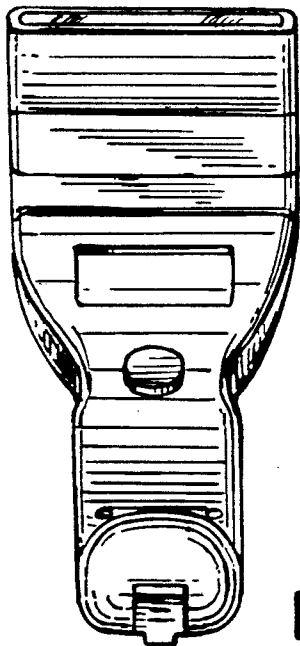


FIG. 6