



US00D495880S1

(12) **United States Design Patent**
Warren, III

(10) **Patent No.:** **US D495,880 S**

(45) **Date of Patent:** **** Sep. 14, 2004**

(54) **CIRCULAR COUNTER ORGANIZER**

(76) Inventor: **Eugene Warren, III**, 1912 Avenue D,
Bessemer, AL (US) 35218

(**) Term: **14 Years**

(21) Appl. No.: **29/197,497**

(22) Filed: **Jan. 15, 2004**

(51) **LOC (7) Cl.** **06-04**

(52) **U.S. Cl.** **D3/313; D6/469**

(58) **Field of Search** D3/20, 205, 206,
D3/304, 309-314, 315, 316; D7/637, 640;
D19/75, 77, 83, 84, 85, 95; D11/143, 147,
152, 153; D6/469, 476, 457, 460; D28/9,
73, 82; 211/58, 69.5, 70, 70.6, 70.7, 78,
85.18, 95, 119.005, 126.14, 129.1, 131.1,
163, 189

(56) **References Cited**

U.S. PATENT DOCUMENTS

D49,875 S	11/1916	Aulicino et al.	
D120,875 S	* 6/1940	Spanel	D6/460
D173,818 S	1/1955	Rogers	
D224,816 S	* 9/1972	Langworthy	D3/316
D237,001 S	* 9/1975	Von	D11/147
D245,368 S	8/1977	Mueller	
4,403,702 A	* 9/1983	Belokin, Jr.	211/189
D288,939 S	3/1987	Boon	
D296,448 S	6/1988	Evenson	

D314,731 S	* 2/1991	Ryason et al.	D11/152
D329,876 S	9/1992	Breen	
D353,083 S	* 12/1994	Simon	D3/316
D357,886 S	* 5/1995	Fuller	D11/152
5,544,764 A	8/1996	Cima	
D382,998 S	* 9/1997	Conigliaro	D3/313
D450,456 S	11/2001	Warren, III	
D466,763 S	* 12/2002	Wu	D7/637

* cited by examiner

Primary Examiner—Mimosa De

(74) *Attorney, Agent, or Firm*—Smith, Gambrell & Russell, LLP

(57) **CLAIM**

The ornamental design for a circular counter organizer, as shown and described.

DESCRIPTION

FIG. 1 is a perspective view of the circular counter organizer of the present invention;

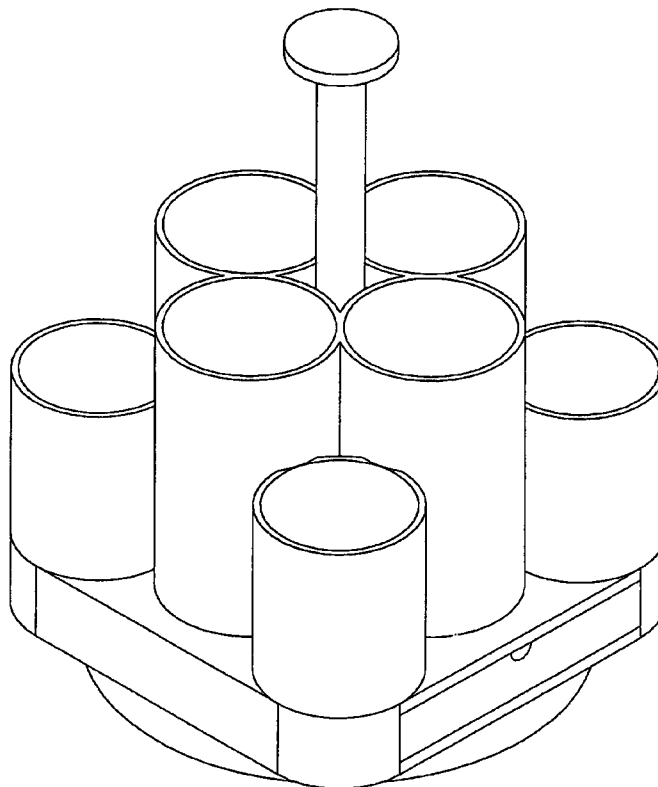
FIG. 2 is a front elevational view of the circular counter organizer;

FIG. 3 is a rear elevational view of the circular counter organizer, wherein the left and right sides of the rotatable counter organizer are the mirror image of the view shown in FIG. 3;

FIG. 4 is a top plan view of the circular counter organizer; and,

FIG. 5 is a bottom view of the circular counter organizer.

1 Claim, 5 Drawing Sheets



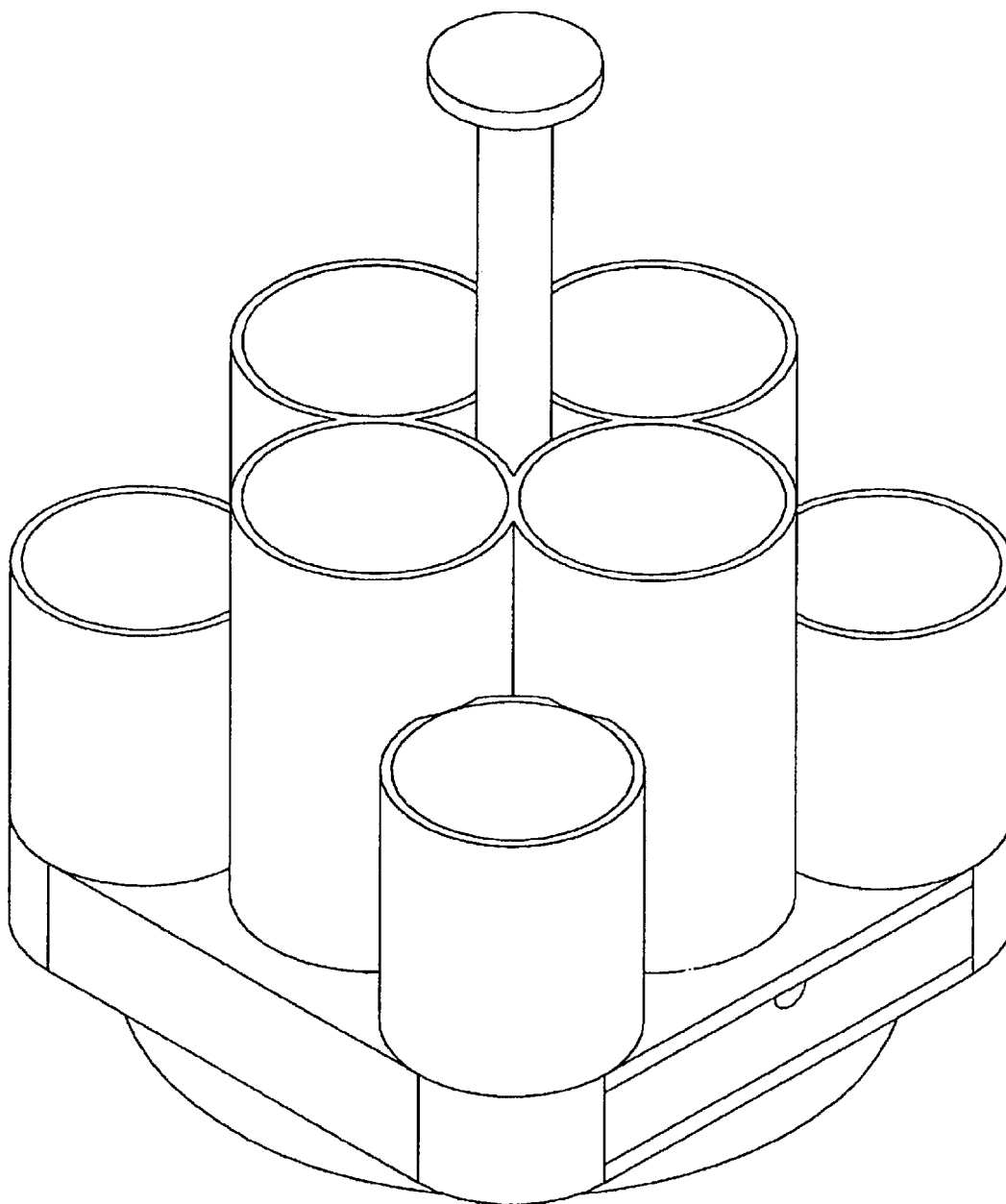


FIG. 1

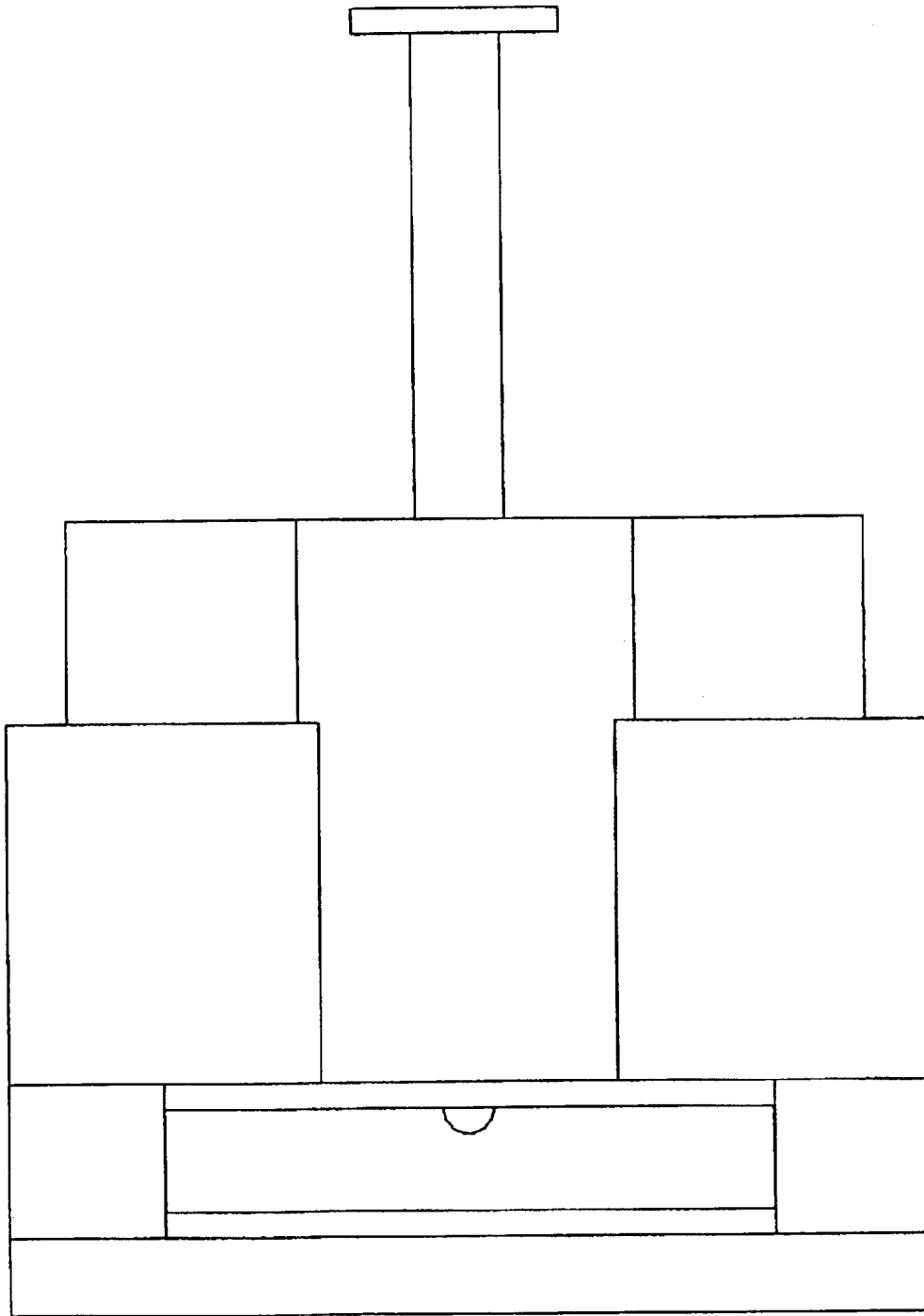


FIG. 2

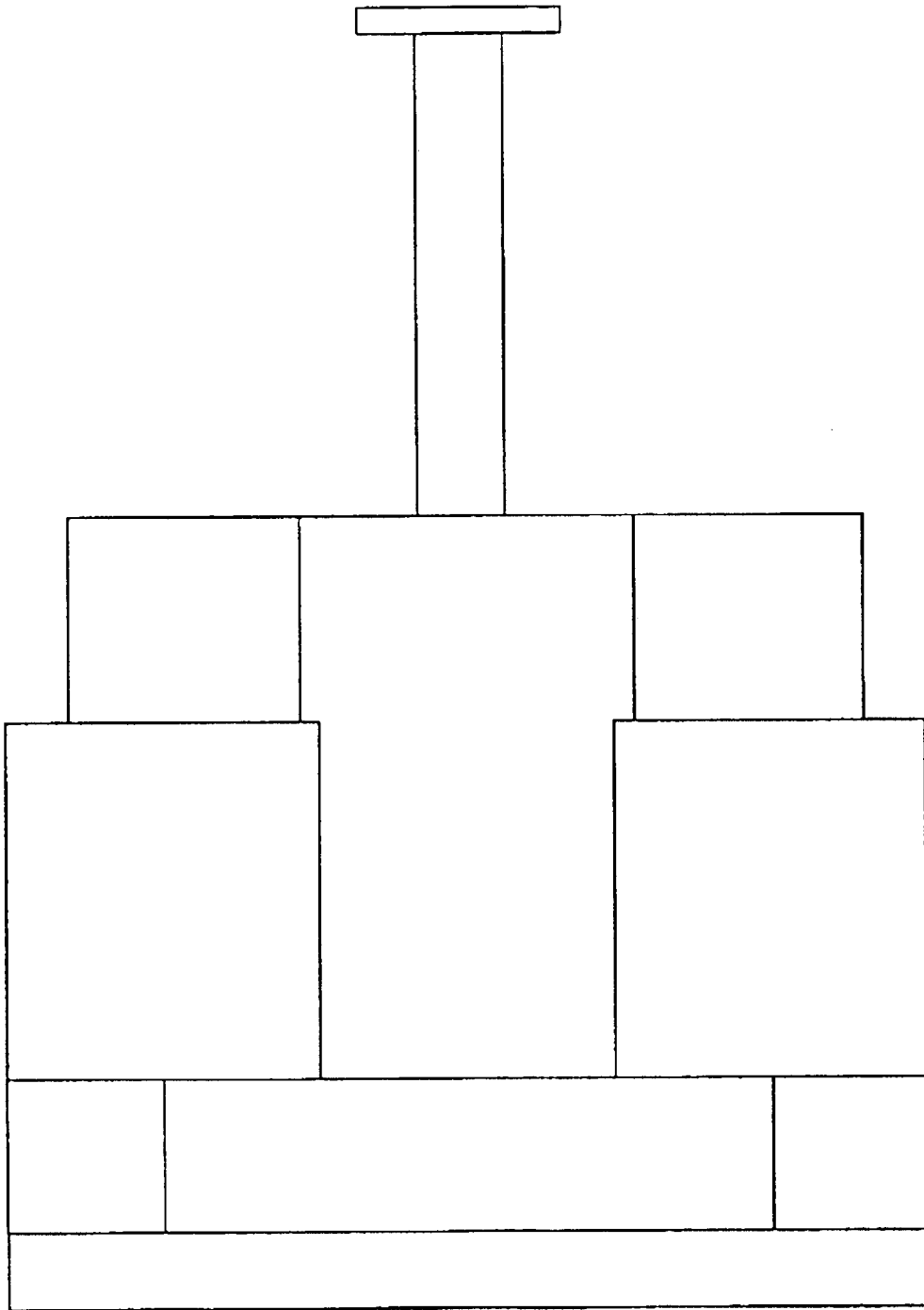


FIG. 3

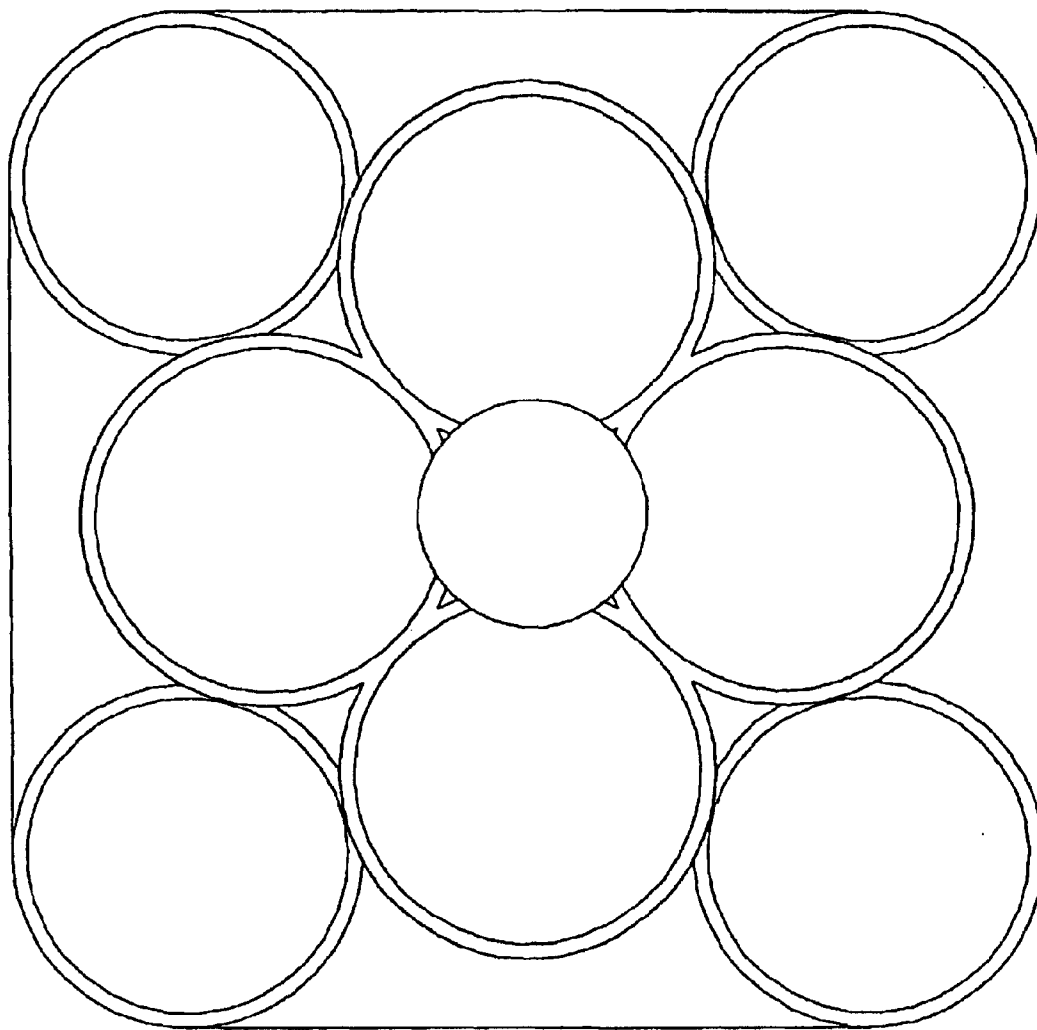


FIG. 4

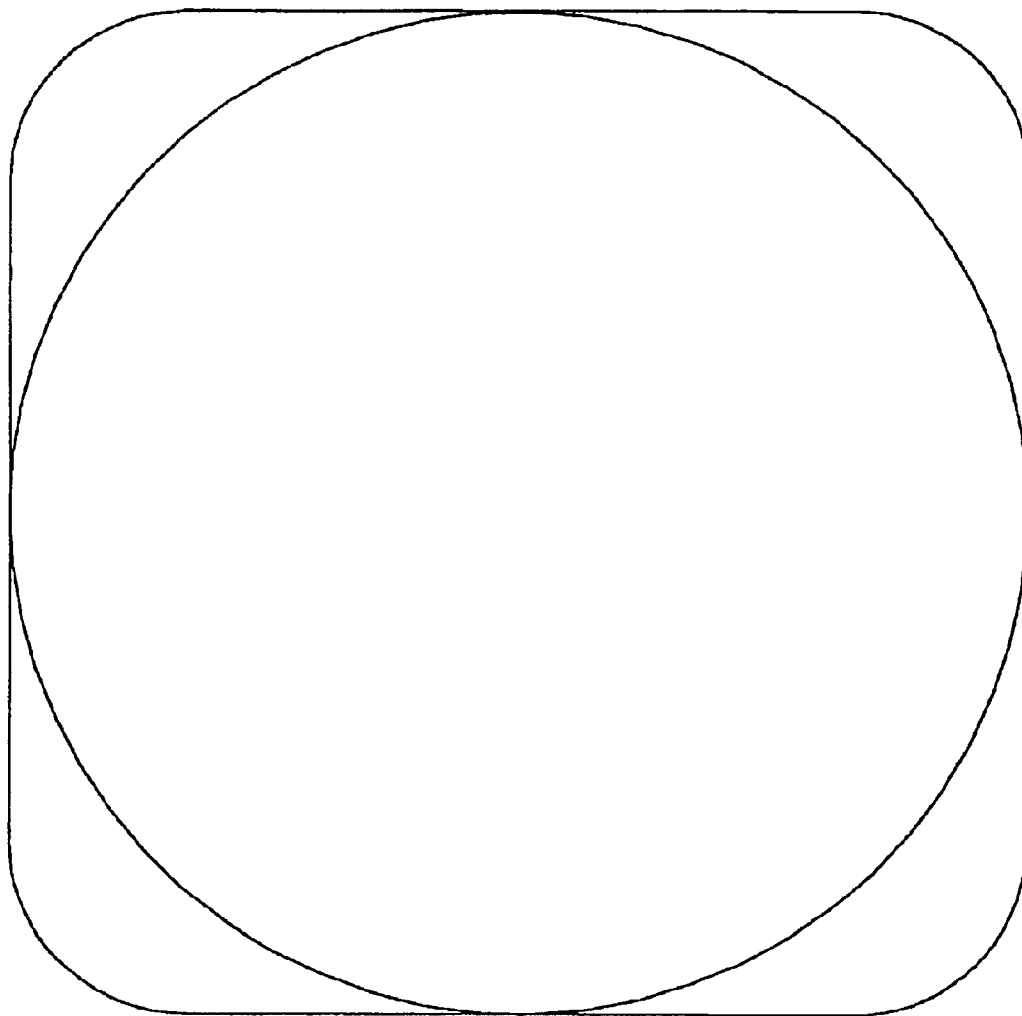


FIG. 5