

(19) World Intellectual Property Organization
International Bureau



(43) International Publication Date
23 March 2006 (23.03.2006)

PCT

(10) International Publication Number
WO 2006/030321 A3

(51) International Patent Classification:
H04L 12/14 (2006.01)

(21) International Application Number:
PCT/IB2005/003310

(22) International Filing Date:
13 September 2005 (13.09.2005)

(25) Filing Language: English

(26) Publication Language: English

(30) Priority Data:
0420549.8 15 September 2004 (15.09.2004) GB

(71) Applicant (for all designated States except US): **NOKIA CORPORATION** [FI/FI]; Keilalahdentie 4, FIN-02150 Espoo (FI).

(72) Inventors; and

(75) Inventors/Applicants (for US only): **HELLGREN, Vesa** [FI/FI]; Josafatinkatu 13 A 23, FIN-00510 Helsinki (FI). **KARLSSON, Julius** [FI/FI]; Perasintie 3 A 1, FIN-00980 Helsinki (FI). **PELTOMÄKI, Arto** [FI/FI]; Vahverotie 4 A, FIN-02730 Espoo (FI).

(74) Agents: **STYLE, Kelda, Camilla, Karen** et al.; Page White & Farrer, 54 Doughty Street, London WC1N 2LS (GB).

(81) Designated States (unless otherwise indicated, for every kind of national protection available): AE, AG, AL, AM, AT, AU, AZ, BA, BB, BG, BR, BW, BY, BZ, CA, CH, CN, CO, CR, CU, CZ, DE, DK, DM, DZ, EC, EE, EG, ES, FI, GB, GD, GE, GH, GM, HR, HU, ID, IL, IN, IS, JP, KE, KG, KM, KP, KR, KZ, LC, LK, LR, LS, LT, LU, LV, MA, MD, MG, MK, MN, MW, MX, MZ, NA, NG, NI, NO, NZ, OM, PG, PH, PL, PT, RO, RU, SC, SD, SE, SG, SK, SL, SM, SY, TJ, TM, TN, TR, TT, TZ, UA, UG, US, UZ, VC, VN, YU, ZA, ZM, ZW.

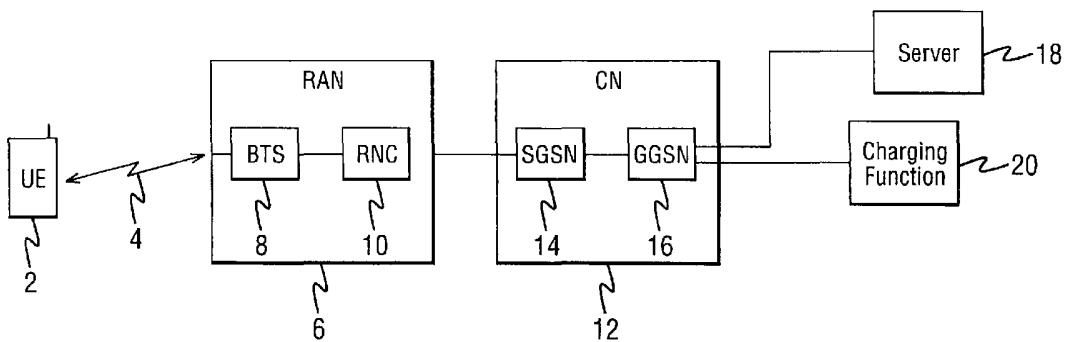
(84) Designated States (unless otherwise indicated, for every kind of regional protection available): ARIPO (BW, GH, GM, KE, LS, MW, MZ, NA, SD, SL, SZ, TZ, UG, ZM, ZW), Eurasian (AM, AZ, BY, KG, KZ, MD, RU, TJ, TM), European (AT, BE, BG, CH, CY, CZ, DE, DK, EE, ES, FI, FR, GB, GR, HU, IE, IS, IT, LT, LU, LV, MC, NL, PL, PT, RO, SE, SI, SK, TR), OAPI (BF, BJ, CF, CG, CI, CM, GA, GN, GQ, GW, ML, MR, NE, SN, TD, TG).

Published:
— with international search report

(88) Date of publication of the international search report:
18 May 2006

For two-letter codes and other abbreviations, refer to the "Guidance Notes on Codes and Abbreviations" appearing at the beginning of each regular issue of the PCT Gazette.

(54) Title: A METHOD AND ENTITY FOR MONITORING TRAFFIC



(57) Abstract: This invention relates to a method of monitoring traffic comprising the steps of creating a traffic flow on receipt of data; determining if further data is received within a predetermined time; and terminating said traffic flow when no further data is received in said predetermined time.



WO 2006/030321 A3

INTERNATIONAL SEARCH REPORT

International application No

IB2005/003310

A. CLASSIFICATION OF SUBJECT MATTER
H04L12/14

According to International Patent Classification (IPC) or to both national classification and IPC

B. FIELDS SEARCHED

Minimum documentation searched (classification system followed by classification symbols)
H04L

Documentation searched other than minimum documentation to the extent that such documents are included in the fields searched

Electronic data base consulted during the international search (name of data base and, where practical, search terms used)

EPO-Internal, PAJ, INSPEC

C. DOCUMENTS CONSIDERED TO BE RELEVANT

Category*	Citation of document, with indication, where appropriate, of the relevant passages	Relevant to claim No.
X	US 5 764 645 A (BERNET ET AL) 9 June 1998 (1998-06-09) column 5, line 53 - line 58 column 6, line 46 - line 49 -----	1, 2, 4-13, 15-24
A	WO 01/01272 A (APPTITUDE, INC; DIETZ, RUSSELL, S; MAIXNER, JOSEPH, R; KOPPENHAVER, AN) 4 January 2001 (2001-01-04) page 38, line 13 - line 14 page 143, line 15 - page 144, line 5 -----	2, 13

 Further documents are listed in the continuation of Box C. See patent family annex.

* Special categories of cited documents :

- *A* document defining the general state of the art which is not considered to be of particular relevance
- *E* earlier document but published on or after the international filing date
- *L* document which may throw doubts on priority claim(s) or which is cited to establish the publication date of another citation or other special reason (as specified)
- *O* document referring to an oral disclosure, use, exhibition or other means
- *P* document published prior to the international filing date but later than the priority date claimed

- *T* later document published after the international filing date or priority date and not in conflict with the application but cited to understand the principle or theory underlying the invention
- *X* document of particular relevance; the claimed invention cannot be considered novel or cannot be considered to involve an inventive step when the document is taken alone
- *Y* document of particular relevance; the claimed invention cannot be considered to involve an inventive step when the document is combined with one or more other such documents, such combination being obvious to a person skilled in the art.
- *&* document member of the same patent family

Date of the actual completion of the international search

13 February 2006

Date of mailing of the international search report

17/02/2006

Name and mailing address of the ISA/

European Patent Office, P.B. 5818 Patentlaan 2
NL - 2280 HV Rijswijk
Tel. (+31-70) 340-2040, Tx. 31 651 epo nl,
Fax: (+31-70) 340-3016

Authorized officer

Brichau, G

INTERNATIONAL SEARCH REPORT

Information on patent family members

tional application No /IB2005/003310

Patent document cited in search report		Publication date	Patent family member(s)		Publication date
US 5764645	A	09-06-1998	NONE		
WO 0101272	A	04-01-2001	AU 775495 B2		05-08-2004
			AU 6068500 A		31-01-2001
			CN 1399742 A		26-02-2003
			CN 1571403 A		26-01-2005
			CN 1571404 A		26-01-2005
			CN 1578259 A		09-02-2005
			CN 1578260 A		09-02-2005
			CN 1574789 A		02-02-2005
			EP 1196856 A2		17-04-2002
			JP 2003524317 T		12-08-2003