



US00D856489S

(12) **United States Design Patent**
Seum et al.

(10) **Patent No.:** **US D856,489 S**

(45) **Date of Patent:** **** Aug. 13, 2019**

(54) **FAUCET**

(71) Applicant: **Grohe AG**, Hemer (DE)

(72) Inventors: **Michael Seum**, Duesseldorf (DE);
Jacob Nitz, Brooklyn, NY (US)

(73) Assignee: **Grohe AG**, Hemer (DE)

(**) Term: **15 Years**

(21) Appl. No.: **29/638,833**

(22) Filed: **Mar. 1, 2018**

(30) **Foreign Application Priority Data**

Sep. 1, 2017 (EM) 004203016-0002

(51) **LOC (12) Cl.** **23-01**

(52) **U.S. Cl.**
USPC **D23/242**

(58) **Field of Classification Search**

USPC D23/238-243, 249, 255, 257, 250, 252,
D23/254; D8/307-308, 353

CPC F16K 31/60; F16K 31/602; F16K 31/605;
F16K 31/607; E03C 1/0412; E03C
1/0409

See application file for complete search history.

(56) **References Cited**

U.S. PATENT DOCUMENTS

D517,655 S * 3/2006 Ogata D23/241
D522,094 S * 5/2006 Koury D23/249

D701,592 S * 3/2014 Zhenqiang D23/238
D721,165 S * 1/2015 Downey D23/255
D723,663 S * 3/2015 Downey D23/238
D760,359 S * 6/2016 Citterio D23/252
D767,727 S * 9/2016 Eads D23/242
D797,249 S * 9/2017 Downey D23/252
D809,630 S * 2/2018 Schoenherr D23/242

* cited by examiner

Primary Examiner — Robert A Delehanty

(74) *Attorney, Agent, or Firm* — Muncy, Geissler, Olds & Lowe, P.C.

(57) **CLAIM**

The ornamental design for a faucet, as shown and described.

DESCRIPTION

FIG. 1 is a front perspective view of a faucet according to the present invention.

FIG. 2 is a front view of the faucet of FIG. 1.

FIG. 3 is a rear view of the faucet of FIG. 1.

FIG. 4 is a left side view of the faucet of FIG. 1.

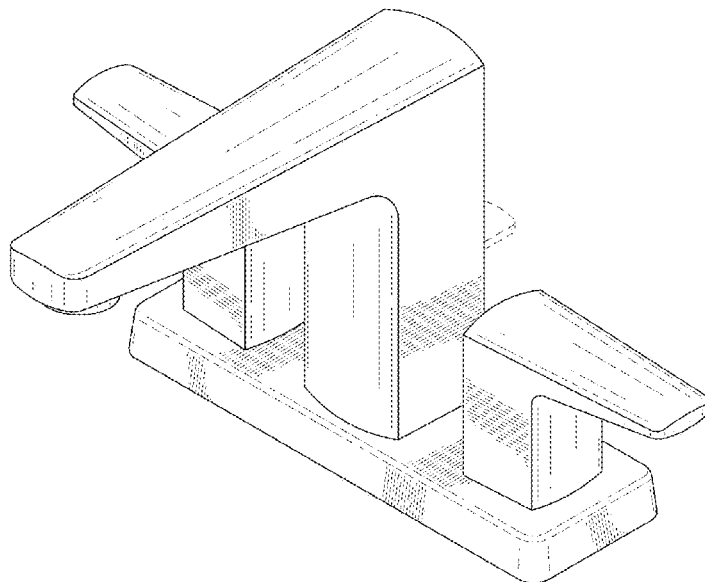
FIG. 5 is a right side view of the faucet of FIG. 1.

FIG. 6 is a top view of the faucet of FIG. 1; and,

FIG. 7 is a bottom view of the faucet of FIG. 1.

The dashed lines illustrate environment that does not form a part of the present invention, and no claim is made to the material illustrated with dashed lines.

1 Claim, 7 Drawing Sheets



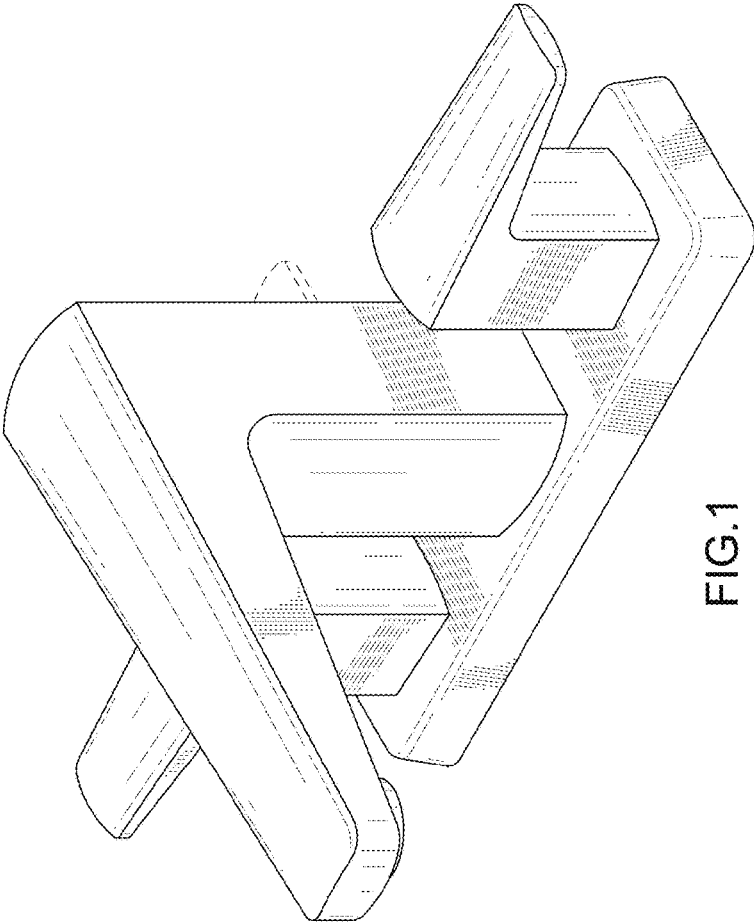


FIG.1

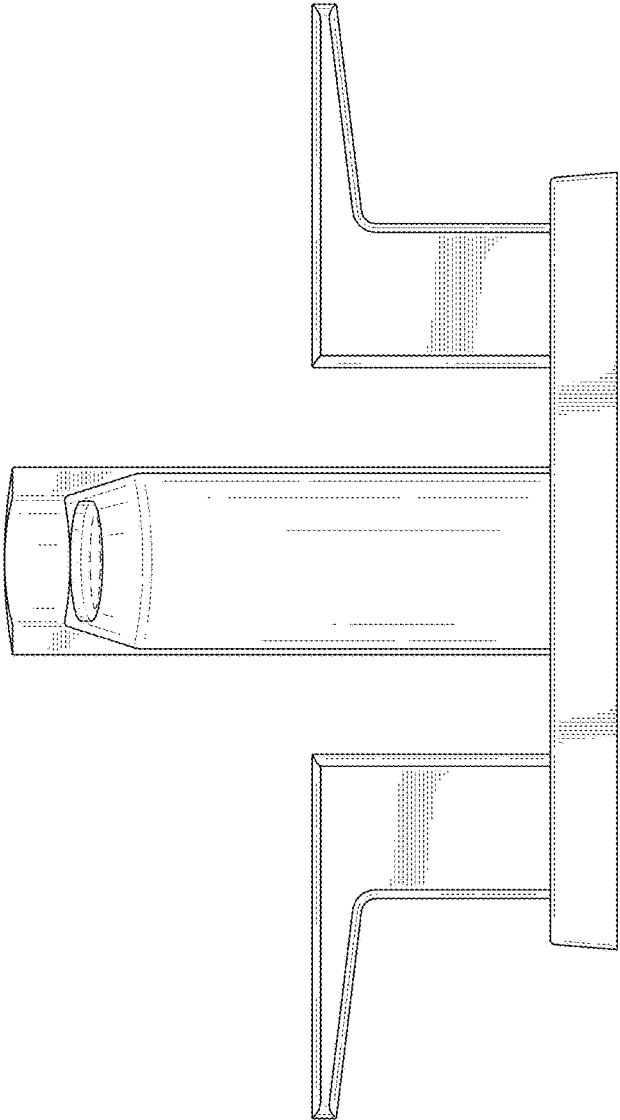


FIG.2

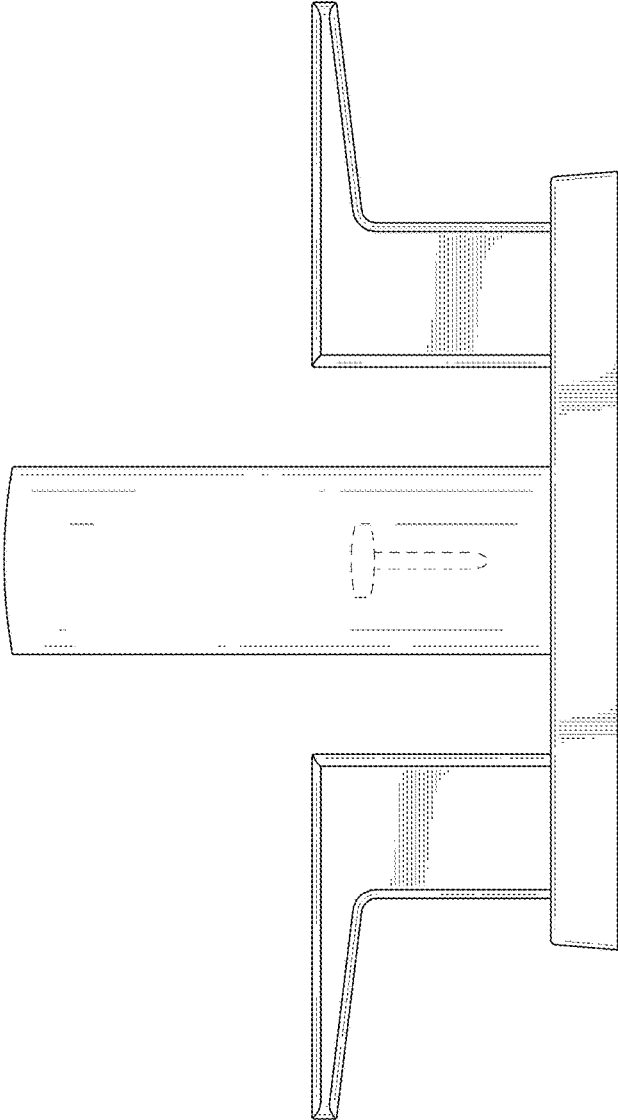


FIG.3

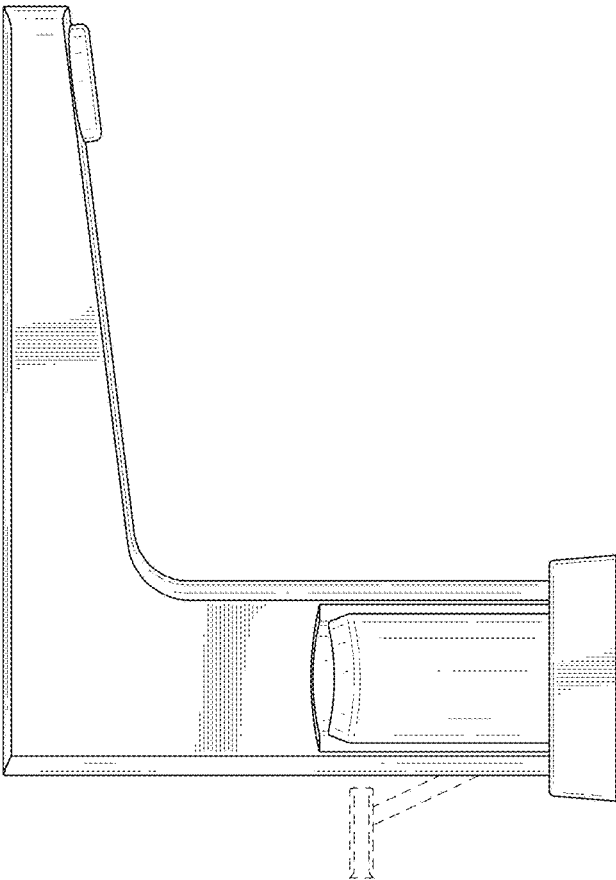


FIG.4

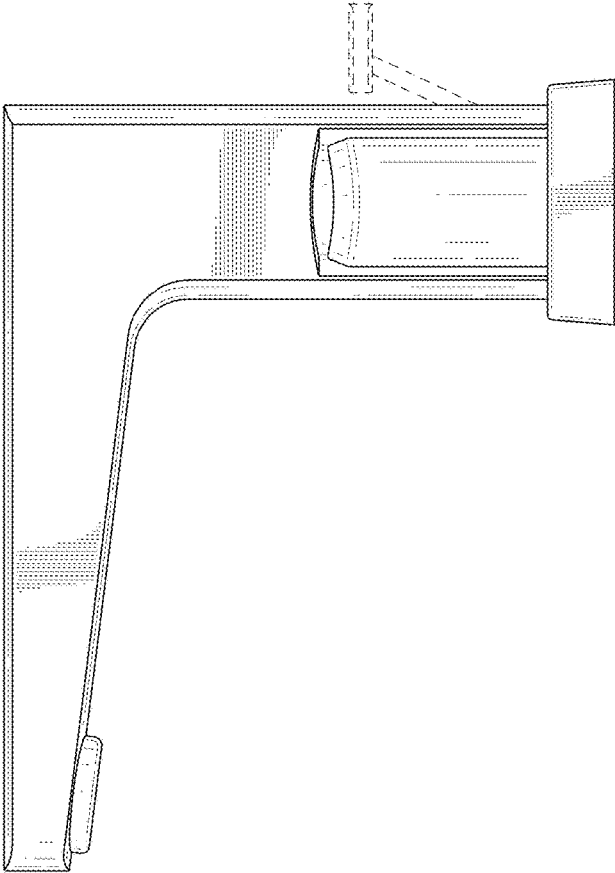


FIG.5

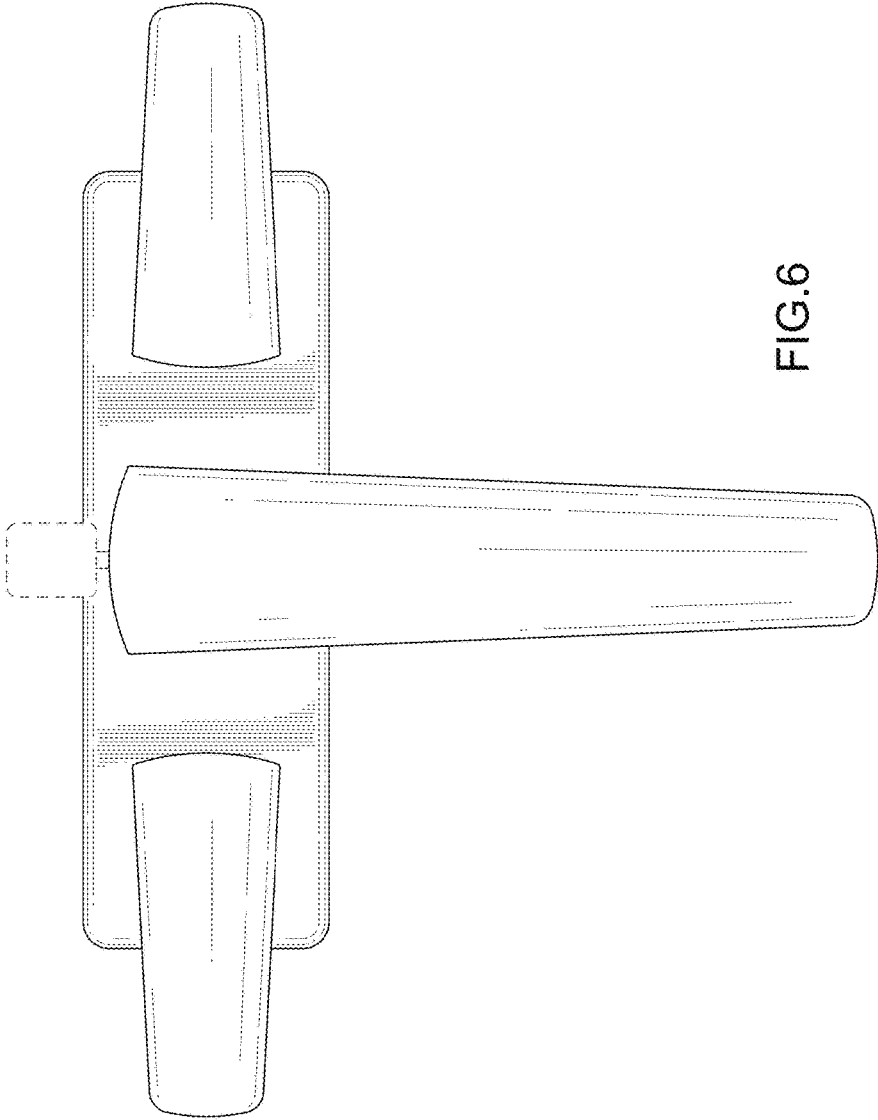


FIG.6

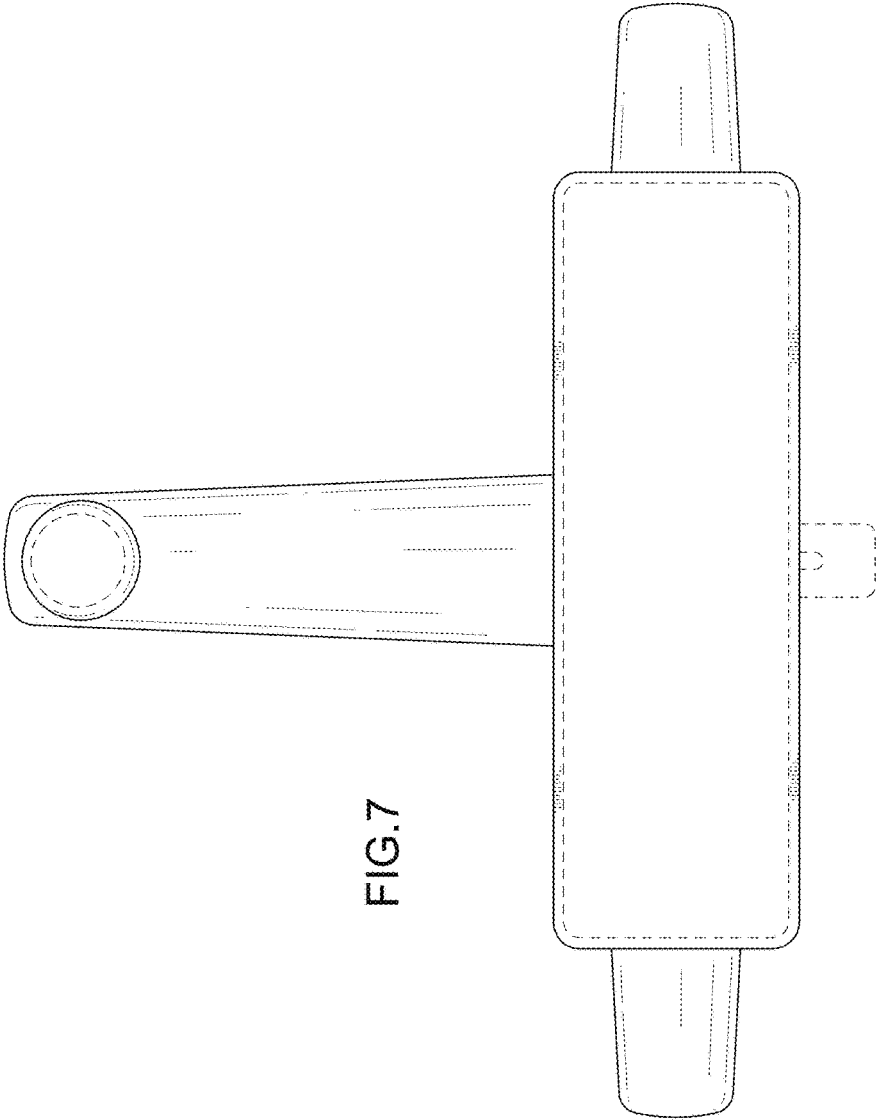


FIG. 7