



US00D809442S

(12) **United States Design Patent**  
**Zipfel et al.**

(10) **Patent No.:** **US D809,442 S**  
(45) **Date of Patent:** **\*\* Feb. 6, 2018**

- (54) **VEHICLE SIDE MIRROR**
- (71) Applicant: **GM GLOBAL TECHNOLOGY OPERATIONS LLC**, Detroit, MI (US)
- (72) Inventors: **Carl J. Zipfel**, Oxford, MI (US); **David Gillespie**, Huntington Woods, MI (US)
- (73) Assignee: **GM Global Technology Operations LLC**, Detroit, MI (US)
- (\*\*) Term: **15 Years**
- (21) Appl. No.: **29/575,907**
- (22) Filed: **Aug. 30, 2016**
- (51) **LOC (11) Cl.** ..... **12-16**
- (52) **U.S. Cl.**  
USPC ..... **D12/187**
- (58) **Field of Classification Search**  
USPC ..... D12/187, 188, 189; D6/300, 309  
CPC ..... B60R 1/076; B60R 1/074; B60R 1/078;  
B60R 1/08; B60R 1/081; B60R 1/082;  
G02B 7/182; G02B 7/18; G02B 5/08  
See application file for complete search history.

D608,690 S	1/2010	Folden et al.	
D608,691 S	1/2010	Zak, Jr. et al.	
D609,608 S	2/2010	Boniface et al.	
D611,387 S	3/2010	Thompson et al.	
D611,879 S	3/2010	Kim et al.	
D612,297 S	3/2010	Peters et al.	
D613,645 S	4/2010	Song et al.	
D615,458 S	5/2010	Thompson et al.	
D618,595 S	6/2010	Ware et al.	
D621,313 S *	8/2010	Kimura	D12/187
D623,090 S	9/2010	Cox et al.	
D627,262 S	11/2010	Ikeda et al.	
D635,488 S	4/2011	Phipps	
D644,147 S	8/2011	Suh et al.	
D644,567 S	9/2011	Kozub	
D657,718 S	4/2012	Zipfel et al.	
D659,052 S	5/2012	Ware et al.	
D659,053 S	5/2012	Ware et al.	
D668,182 S	10/2012	Franco et al.	
D668,183 S	10/2012	Smart	
D678,820 S	3/2013	Son et al.	
D678,821 S	3/2013	Ikeda et al.	

(Continued)

*Primary Examiner* — Karen S Acker  
*Assistant Examiner* — Jerry Shiuan-Hua Hsu  
(74) *Attorney, Agent, or Firm* — Reising Ethington P.C.

(57) **CLAIM**

The ornamental design for a vehicle side mirror, as shown and described.

**DESCRIPTION**

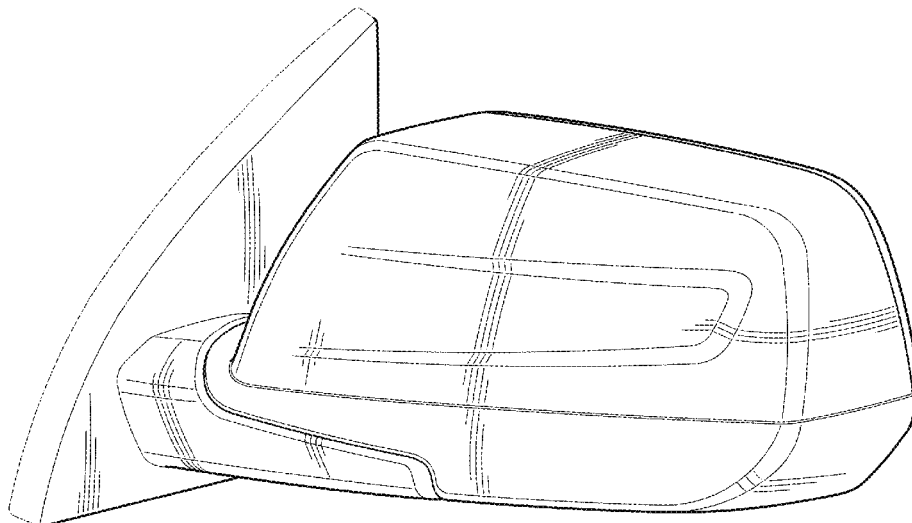
FIG. 1 is a perspective view of the vehicle side mirror;  
FIG. 2 is a front view thereof;  
FIG. 3 is a rear view thereof;  
FIG. 4 is a top view thereof; and,  
FIG. 5 is a bottom view thereof.  
The broken lines shown in the drawings depict portions of the vehicle side mirror that form no part of the claimed design.

**1 Claim, 4 Drawing Sheets**

(56) **References Cited**

**U.S. PATENT DOCUMENTS**

D455,690 S *	4/2002	Lee	D12/187
D570,742 S	6/2008	Takagi et al.	
D592,105 S	5/2009	Dean et al.	
D597,447 S	8/2009	Folden	
D600,595 S	9/2009	Nakamura et al.	
D601,925 S	10/2009	O'Donnell	
D603,755 S	11/2009	Peters	
D604,203 S	11/2009	O'Donnell	
D605,082 S	12/2009	Munson	
D605,083 S	12/2009	Manoogian, II et al.	
D605,977 S	12/2009	Zipfel et al.	
D605,978 S	12/2009	Wolff et al.	
D608,249 S	1/2010	Peters	



(56)

References Cited

U.S. PATENT DOCUMENTS

D680,909 S	4/2013	Munson et al.	D733,002 S	6/2015	Loeb
D680,910 S	4/2013	David	D735,611 S	8/2015	Aengenheyster
D684,899 S	6/2013	Baker	D735,627 S	8/2015	Smith
D686,536 S	7/2013	McCabe et al.	D736,451 S	8/2015	Smith
D690,637 S *	10/2013	O'Donnell ..... D12/187	D739,306 S	9/2015	McMahan et al.
D691,076 S *	10/2013	Vincent ..... D12/187	D739,317 S	9/2015	McMahan et al.
D691,934 S *	10/2013	Zhao ..... D12/187	D741,223 S	10/2015	Kim et al.
D692,798 S	11/2013	Thurber	D743,309 S	11/2015	Thole et al.
D692,799 S	11/2013	Smith et al.	D743,313 S	11/2015	Smith et al.
D696,157 S	12/2013	Loeb	D743,314 S	11/2015	Thole et al.
D699,629 S	2/2014	Ikeda et al.	D743,857 S	11/2015	McMahan et al.
D700,871 S	3/2014	O'Donnell et al.	D744,158 S	11/2015	Willett et al.
D703,103 S	4/2014	Lee	D745,086 S	12/2015	Finos et al.
D703,120 S *	4/2014	Nordmann ..... D12/187	D745,719 S	12/2015	Boniface et al.
D704,103 S	5/2014	Mack et al.	D745,725 S	12/2015	McMahan et al.
D705,132 S	5/2014	Ware et al.	D745,726 S	12/2015	McMahan et al.
D705,699 S	5/2014	Ware et al.	D745,837 S	12/2015	Smith et al.
D708,560 S *	7/2014	George ..... D12/187	D746,726 S	1/2016	Smith et al.
D709,416 S *	7/2014	Mays ..... D12/187	D746,727 S	1/2016	Smith et al.
D709,812 S *	7/2014	George ..... D12/187	D746,728 S	1/2016	Smith et al.
D713,298 S	9/2014	Dyson	D746,729 S	1/2016	Boniface et al.
D713,764 S	9/2014	Ferlazzo et al.	D746,730 S	1/2016	Kim et al.
D713,769 S *	9/2014	Knothe ..... D12/187	D747,514 S	1/2016	McMahan et al.
D716,206 S *	10/2014	Thole ..... D12/187	D747,515 S	1/2016	McMahan et al.
D716,696 S	11/2014	Thole et al.	D747,819 S	1/2016	Thole et al.
D716,706 S	11/2014	Thole et al.	D749,021 S	2/2016	Boniface et al.
D716,709 S	11/2014	Thole et al.	D749,026 S	2/2016	Smith et al.
D717,696 S	11/2014	Thole et al.	D749,027 S	2/2016	McMahan et al.
D718,189 S	11/2014	Krieg et al.	D749,246 S	2/2016	Thole et al.
D718,197 S *	11/2014	Chen ..... D12/187	D749,249 S	2/2016	Thole et al.
D718,683 S	12/2014	Thole et al.	D749,250 S	2/2016	Thole et al.
D722,282 S	2/2015	Loeb	D749,985 S	2/2016	Kozub et al.
D722,533 S	2/2015	Thole et al.	D749,997 S	2/2016	McMahan et al.
D722,534 S	2/2015	Munson et al.	D750,001 S	2/2016	Thole et al.
D724,510 S	3/2015	McMahan et al.	D753,032 S	4/2016	Smith et al.
D725,001 S	3/2015	McMahan et al.	D753,033 S	4/2016	Thole et al.
D726,591 S	4/2015	Jacob	D753,034 S	4/2016	Thole et al.
D730,776 S	6/2015	Smart	D753,035 S	4/2016	Boniface et al.
D730,783 S	6/2015	Henriques et al.	D753,559 S	4/2016	McMahan et al.
D732,427 S	6/2015	Loeb	D753,560 S	4/2016	McMahan et al.
D732,429 S	6/2015	Loeb	D753,567 S	4/2016	Boniface et al.
D732,430 S	6/2015	Loeb	D754,571 S	4/2016	Boniface et al.
D732,431 S	6/2015	Loeb	D754,572 S	4/2016	McMahan et al.
D732,432 S	6/2015	Aengenheyster	D755,088 S	5/2016	McMahan et al.
D732,433 S	6/2015	Aengenheyster	D756,869 S	5/2016	McMahan et al.
D732,435 S	6/2015	Mackay	D758,271 S	6/2016	McMahan et al.
			D785,524 S *	5/2017	Kim ..... D12/187

\* cited by examiner

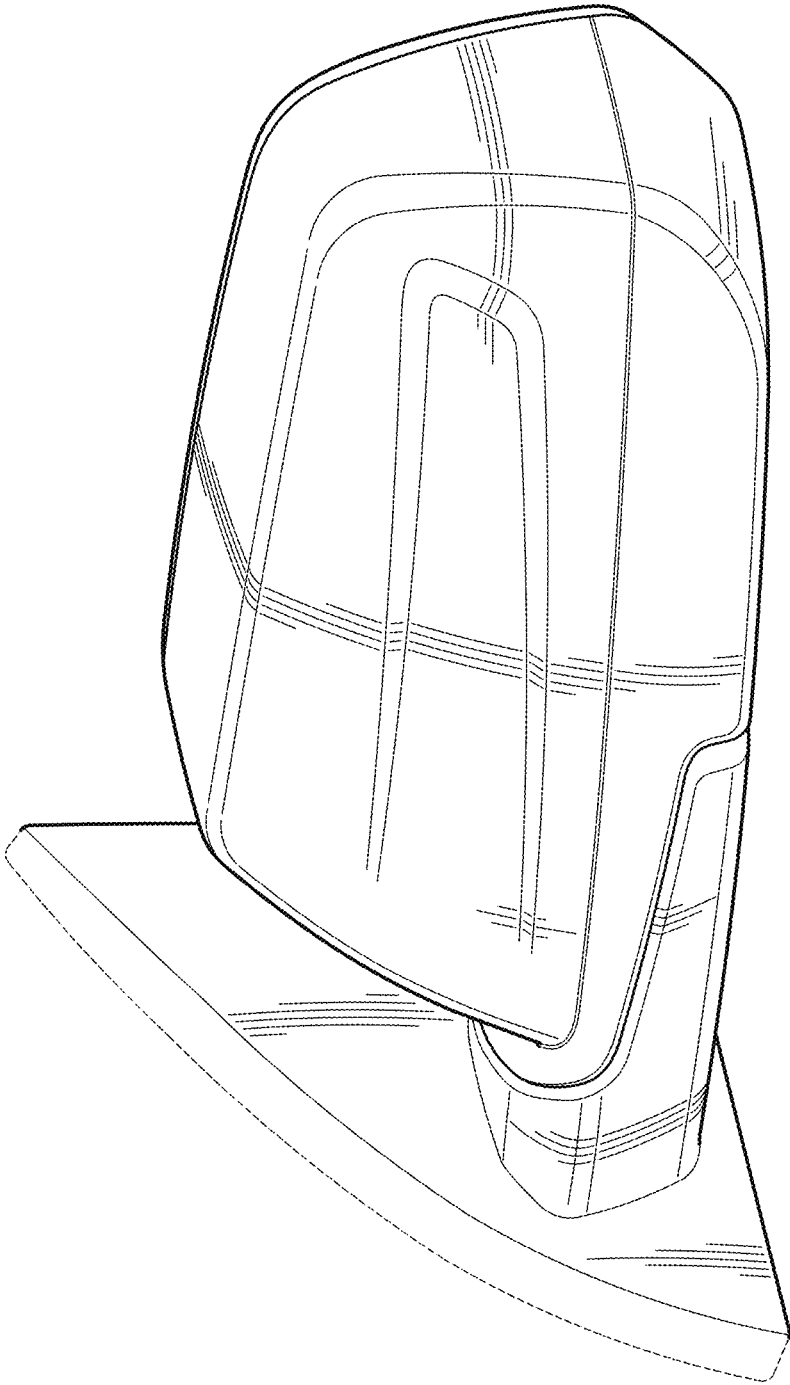


FIG. 1

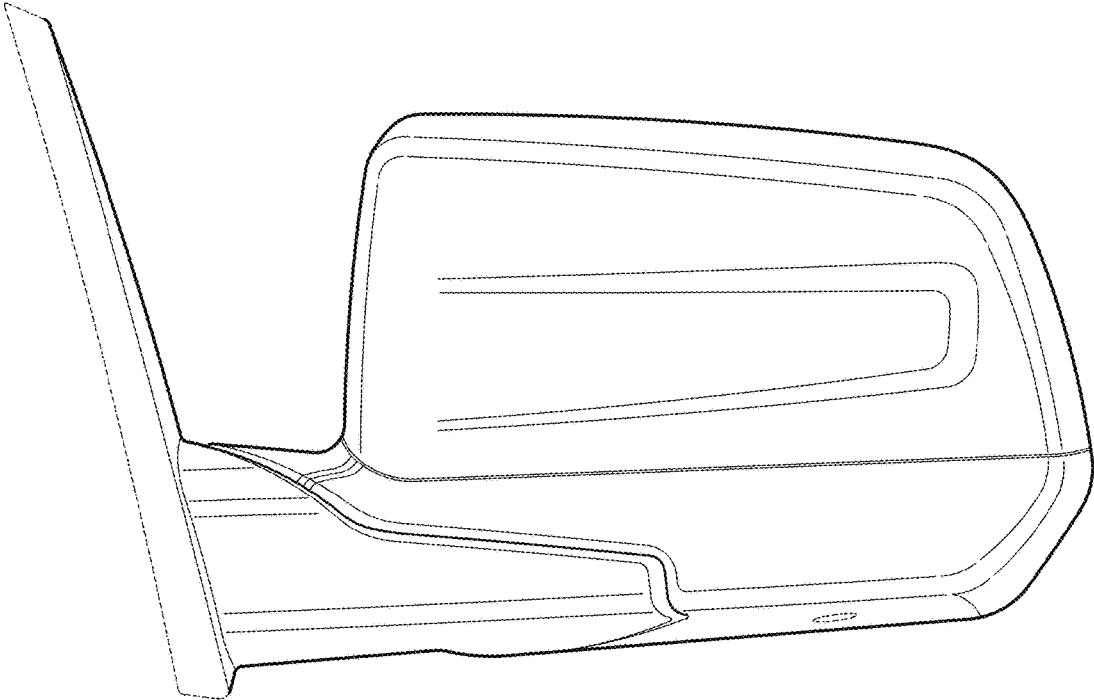


FIG. 2

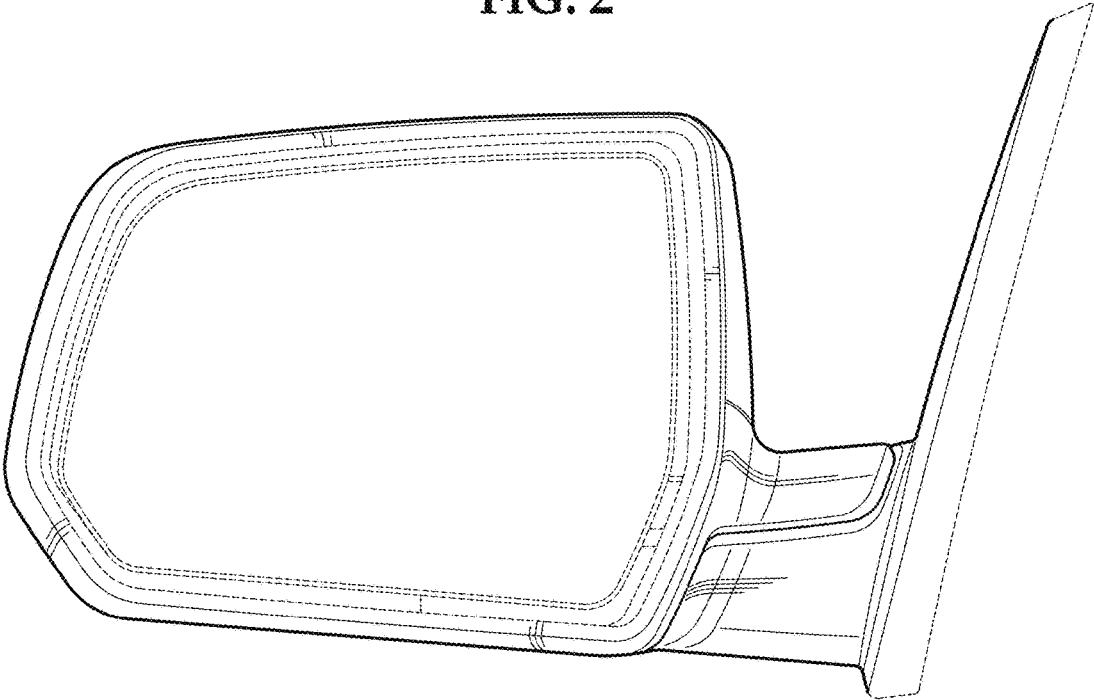


FIG. 3

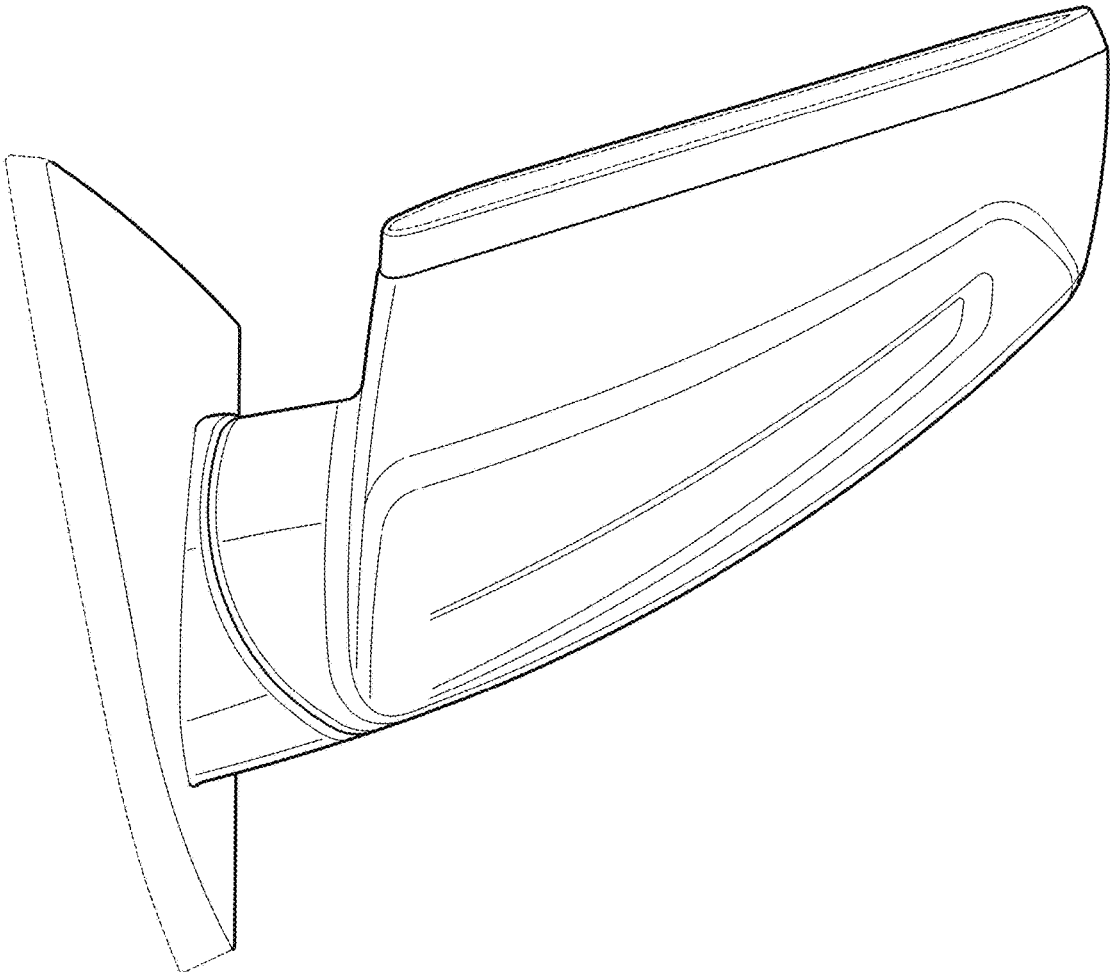


FIG. 4

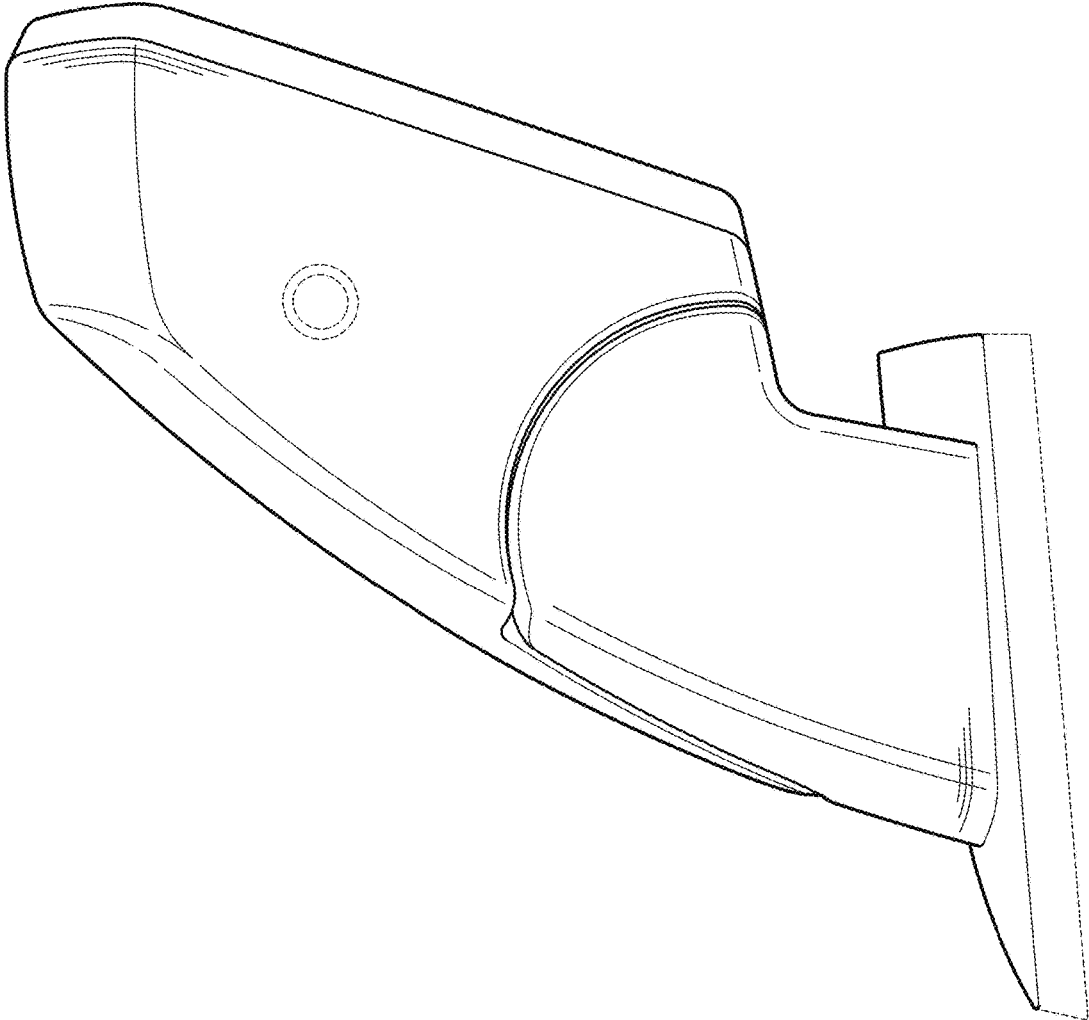


FIG. 5