



(51) International Patent Classification:

A24F 47/00 (2006.01) A61M 15/00 (2006.01)
A61M 11/00 (2006.01) A61M 15/06 (2006.01)
A61M 11/04 (2006.01)

(21) International Application Number:

PCT/IB2017/054018

(22) International Filing Date:

03 July 2017 (03.07.2017)

(25) Filing Language:

English

(26) Publication Language:

English

(30) Priority Data:

15/205,775 08 July 2016 (08.07.2016) US

(71) Applicant: **RAI STRATEGIC HOLDINGS, INC.** [US/US]; 401 North Main Street, Winston-Salem, NC 27101 (US).

(72) Inventors: **DAVIS, Michael, F.**; 1788 Havenbrook Ct., Clemmons, NC 27012 (US). **ROGERS, James**; 18329 Peninsula Club Dr., Cornelius, NC 28031 (US). **PHILIPS, Percy**; c/o RAI Strategic Holdings, Inc., 401 North Main Street, Winston-Salem, NC 27101 (US). **GARCIA, Ercilia, Hernandez**; 307 Durham Street, Clayton, NC 27520 (US).

(74) Agent: **SPENCE, Andrew T.**; Womble Carlyle Sandridge & Rice, LLP, Attn: Patent Docketing, P.O. Box 7037, Atlanta, GA 30357-0037 (US).

(81) Designated States (unless otherwise indicated, for every kind of national protection available): AE, AG, AL, AM, AO, AT, AU, AZ, BA, BB, BG, BH, BN, BR, BW, BY, BZ, CA, CH, CL, CN, CO, CR, CU, CZ, DE, DJ, DK, DM, DO, DZ, EC, EE, EG, ES, FI, GB, GD, GE, GH, GM, GT, HN, HR, HU, ID, IL, IN, IR, IS, JO, JP, KE, KG, KH, KN, KP, KR, KW, KZ, LA, LC, LK, LR, LS, LU, LY, MA, MD, ME, MG, MK, MN, MW, MX, MY, MZ, NA, NG, NI, NO, NZ, OM, PA, PE, PG, PH, PL, PT, QA, RO, RS, RU, RW, SA, SC, SD, SE, SG, SK, SL, SM, ST, SV, SY, TH, TJ, TM, TN, TR, TT, TZ, UA, UG, US, UZ, VC, VN, ZA, ZM, ZW.

(84) Designated States (unless otherwise indicated, for every kind of regional protection available): ARIPO (BW, GH, GM, KE, LR, LS, MW, MZ, NA, RW, SD, SL, ST, SZ, TZ, UG, ZM, ZW), Eurasian (AM, AZ, BY, KG, KZ, RU, TJ, TM), European (AL, AT, BE, BG, CH, CY, CZ, DE, DK, EE, ES, FI, FR, GB, GR, HR, HU, IE, IS, IT, LT, LU, LV, MC, MK, MT, NL, NO, PL, PT, RO, RS, SE, SI, SK, SM, TR), OAPI (BF, BJ, CF, CG, CI, CM, GA, GN, GQ, GW, KM, ML, MR, NE, SN, TD, TG).

(54) Title: AEROSOL DELIVERY DEVICE WITH CONDENSING AND NON-CONDENSING VAPORIZATION

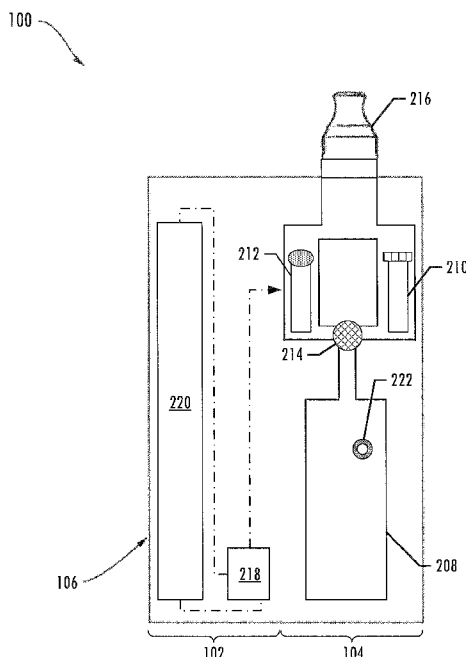


FIG. 2

(57) Abstract: An aerosol delivery device (100) having condensing and non-condensing vaporization functionality is provided. The aerosol delivery device may comprise at least one housing (106), and a first element (210) and second element (212) contained within the at least one housing. The first and second element may be configured to activate and vaporize components of an aerosol precursor composition, and thereby form respectively a condensing vapor and non-condensing vapor. In response to a flow of air through at least a portion of the at least one housing, the condensing vapor or non-condensing vapor may be combinable with the air to form an aerosol.



Declarations under Rule 4.17:

- *as to applicant's entitlement to apply for and be granted a patent (Rule 4.17(ii))*
- *as to the applicant's entitlement to claim the priority of the earlier application (Rule 4.17(iii))*

Published:

- *with international search report (Art. 21(3))*
- *before the expiration of the time limit for amending the claims and to be republished in the event of receipt of amendments (Rule 48.2(h))*

(88) Date of publication of the international search report:

15 March 2018 (15.03.2018)

INTERNATIONAL SEARCH REPORT

International application No PCT/IB2017/054018

A. CLASSIFICATION OF SUBJECT MATTER INV. A24F47/00 A61M11/00 A61M11/04 A61M15/00 A61M15/06 ADD.				
According to International Patent Classification (IPC) or to both national classification and IPC				
B. FIELDS SEARCHED				
Minimum documentation searched (classification system followed by classification symbols) A24F A61M				
Documentation searched other than minimum documentation to the extent that such documents are included in the fields searched				
Electronic data base consulted during the international search (name of data base and, where practicable, search terms used) EPO-Internal, WPI Data				
C. DOCUMENTS CONSIDERED TO BE RELEVANT				
Category*	Citation of document, with indication, where appropriate, of the relevant passages	Relevant to claim No.		
X	WO 2015/079197 A1 (PURITY HEALTH PHARMA LTD) 4 June 2015 (2015-06-04)	1-3, 5-11,13, 14,17-20 4		
A	the whole document			
A	----- WO 2012/027350 A2 (ALELOV ELI [US]) 1 March 2012 (2012-03-01) paragraphs [0021], [0022]; figure 1	1-10,17, 18		
A	----- US 2016/089508 A1 (SMITH CALEB [US] ET AL) 31 March 2016 (2016-03-31) abstract; figures paragraph [0026]	1-10,17, 18		
A	----- WO 2013/152873 A1 (JT INT SA [CH]) 17 October 2013 (2013-10-17) page 6, line 1 - page 6, line 7 ----- -/--	1-13		
<input checked="" type="checkbox"/> Further documents are listed in the continuation of Box C. <input checked="" type="checkbox"/> See patent family annex.				
* Special categories of cited documents : <table style="width: 100%; border: none;"> <tr> <td style="width: 50%; border: none; vertical-align: top;"> "A" document defining the general state of the art which is not considered to be of particular relevance "E" earlier application or patent but published on or after the international filing date "L" document which may throw doubts on priority claim(s) or which is cited to establish the publication date of another citation or other special reason (as specified) "O" document referring to an oral disclosure, use, exhibition or other means "P" document published prior to the international filing date but later than the priority date claimed </td> <td style="width: 50%; border: none; vertical-align: top;"> "T" later document published after the international filing date or priority date and not in conflict with the application but cited to understand the principle or theory underlying the invention "X" document of particular relevance; the claimed invention cannot be considered novel or cannot be considered to involve an inventive step when the document is taken alone "Y" document of particular relevance; the claimed invention cannot be considered to involve an inventive step when the document is combined with one or more other such documents, such combination being obvious to a person skilled in the art "&" document member of the same patent family </td> </tr> </table>			"A" document defining the general state of the art which is not considered to be of particular relevance "E" earlier application or patent but published on or after the international filing date "L" document which may throw doubts on priority claim(s) or which is cited to establish the publication date of another citation or other special reason (as specified) "O" document referring to an oral disclosure, use, exhibition or other means "P" document published prior to the international filing date but later than the priority date claimed	"T" later document published after the international filing date or priority date and not in conflict with the application but cited to understand the principle or theory underlying the invention "X" document of particular relevance; the claimed invention cannot be considered novel or cannot be considered to involve an inventive step when the document is taken alone "Y" document of particular relevance; the claimed invention cannot be considered to involve an inventive step when the document is combined with one or more other such documents, such combination being obvious to a person skilled in the art "&" document member of the same patent family
"A" document defining the general state of the art which is not considered to be of particular relevance "E" earlier application or patent but published on or after the international filing date "L" document which may throw doubts on priority claim(s) or which is cited to establish the publication date of another citation or other special reason (as specified) "O" document referring to an oral disclosure, use, exhibition or other means "P" document published prior to the international filing date but later than the priority date claimed	"T" later document published after the international filing date or priority date and not in conflict with the application but cited to understand the principle or theory underlying the invention "X" document of particular relevance; the claimed invention cannot be considered novel or cannot be considered to involve an inventive step when the document is taken alone "Y" document of particular relevance; the claimed invention cannot be considered to involve an inventive step when the document is combined with one or more other such documents, such combination being obvious to a person skilled in the art "&" document member of the same patent family			
Date of the actual completion of the international search	Date of mailing of the international search report			
22 January 2018	01/02/2018			
Name and mailing address of the ISA/ European Patent Office, P.B. 5818 Patentlaan 2 NL - 2280 HV Rijswijk Tel. (+31-70) 340-2040, Fax: (+31-70) 340-3016	Authorized officer Valfort, Cyril			

INTERNATIONAL SEARCH REPORT

International application No
PCT/IB2017/054018

C(Continuation). DOCUMENTS CONSIDERED TO BE RELEVANT		
Category*	Citation of document, with indication, where appropriate, of the relevant passages	Relevant to claim No.
X,P	EP 3 066 941 A1 (FONTEM HOLDINGS 1 BV [NL]) 14 September 2016 (2016-09-14) paragraph [0039]; figure 3 paragraph [0073] -----	11,13, 14,19
X	US 6 158 431 A (POOLE TRENT A [US]) 12 December 2000 (2000-12-12) the whole document -----	11,12, 14,19
X	WO 2005/079894 A1 (KOREVAAR JACOB [NL]) 1 September 2005 (2005-09-01) the whole document -----	11,15,16

INTERNATIONAL SEARCH REPORT

International application No.
PCT/IB2017/054018

Box No. II Observations where certain claims were found unsearchable (Continuation of item 2 of first sheet)

This international search report has not been established in respect of certain claims under Article 17(2)(a) for the following reasons:

1. Claims Nos.:
because they relate to subject matter not required to be searched by this Authority, namely:

2. Claims Nos.:
because they relate to parts of the international application that do not comply with the prescribed requirements to such an extent that no meaningful international search can be carried out, specifically:

3. Claims Nos.:
because they are dependent claims and are not drafted in accordance with the second and third sentences of Rule 6.4(a).

Box No. III Observations where unity of invention is lacking (Continuation of item 3 of first sheet)

This International Searching Authority found multiple inventions in this international application, as follows:

see additional sheet

1. As all required additional search fees were timely paid by the applicant, this international search report covers all searchable claims.
2. As all searchable claims could be searched without effort justifying an additional fees, this Authority did not invite payment of additional fees.
3. As only some of the required additional search fees were timely paid by the applicant, this international search report covers only those claims for which fees were paid, specifically claims Nos.:
4. No required additional search fees were timely paid by the applicant. Consequently, this international search report is restricted to the invention first mentioned in the claims; it is covered by claims Nos.:

Remark on Protest

- The additional search fees were accompanied by the applicant's protest and, where applicable, the payment of a protest fee.
- The additional search fees were accompanied by the applicant's protest but the applicable protest fee was not paid within the time limit specified in the invitation.
- No protest accompanied the payment of additional search fees.

INTERNATIONAL SEARCH REPORT

Information on patent family members

International application No PCT/IB2017/054018

Patent document cited in search report	Publication date	Patent family member(s)	Publication date
WO 2015079197 A1	04-06-2015	EP 3102056 A1	14-12-2016
		EP 3102266 A1	14-12-2016
		GB 2522727 A	05-08-2015
		WO 2015079197 A1	04-06-2015
		WO 2015079198 A1	04-06-2015

WO 2012027350 A2	01-03-2012	EP 2608686 A2	03-07-2013
		EP 2982255 A1	10-02-2016
		ES 2543045 T3	14-08-2015
		US 2012048266 A1	01-03-2012
		US 2012227752 A1	13-09-2012
		US 2014224245 A1	14-08-2014
		WO 2012027350 A2	01-03-2012

US 2016089508 A1	31-03-2016	NONE	

WO 2013152873 A1	17-10-2013	CN 104254258 A	31-12-2014
		CN 203457800 U	05-03-2014
		EA 201491591 A1	30-06-2015
		EP 2836090 A1	18-02-2015
		JP 2015513970 A	18-05-2015
		KR 20140148455 A	31-12-2014
		KR 20170081290 A	11-07-2017
		US 2015047662 A1	19-02-2015
		WO 2013152873 A1	17-10-2013

EP 3066941 A1	14-09-2016	CN 105962417 A	28-09-2016
		EP 3066941 A1	14-09-2016
		GB 2536307 A	14-09-2016
		US 2016262457 A1	15-09-2016

US 6158431 A	12-12-2000	NONE	

WO 2005079894 A1	01-09-2005	EP 1720590 A1	15-11-2006
		JP 2007528242 A	11-10-2007
		NL 1025556 C1	26-08-2005
		NL 1026154 C1	26-08-2005
		US 2008245363 A1	09-10-2008
		WO 2005079894 A1	01-09-2005

FURTHER INFORMATION CONTINUED FROM PCT/ISA/ 210

This International Searching Authority found multiple (groups of) inventions in this international application, as follows:

1. claims: 1-10, 17, 18

An aerosol delivery device with first and second vaporise components with a valve between the reservoir and the vaporise components

2. claims: 12(completely); 11, 14, 19, 20(partially)

An aerosol delivery device wherein the vapor modification element being configured to modify the non-condensing vapor by a moisture removal action.

3. claims: 13(completely); 11, 14, 19, 20(partially)

An aerosol delivery device wherein the vapor modification element being configured to modify the non-condensing vapor by injecting a volatile flavor into the non-condensing vapor.

4. claims: 15, 16(completely); 11(partially)

An aerosol delivery device further comprising a third element, wherein in response to a flow of air through at least a portion of the at least one housing, the third element being configured to activate and vaporize components of the aerosol precursor composition to thereby form a condensing vapor.
