



US00D340036S

# United States Patent [19]

[11] Patent Number: **Des. 340,036**

Connors et al.

[45] Date of Patent: **\*\* Oct. 5, 1993**

[54] SMART CARD READER

[75] Inventors: **John K. Connors**, Elwood; **Richard W. Curry**, Fountaintown, both of Ind.; **Richard M. Joffe**, Teaneck, N.J.; **John N. McGarvey**, Drexel Hill, Pa.; **David C. Stowers**, Nutley, N.J.

[73] Assignee: **AT&T Bell Laboratories**, Murray Hill, N.J.

[\*\*] Term: **14 Years**

[21] Appl. No.: **788,710**

[22] Filed: **Nov. 4, 1991**

[52] U.S. Cl. .... **D14/105**

[58] Field of Search ..... **D14/105; D18/4; 235/379, 380, 382, 382.5, 483, 492, 493, 479; 354/80-82**

[56] **References Cited**

**U.S. PATENT DOCUMENTS**

D. 292,939	11/1987	Aubrey	.....	D14/107 X
D. 293,792	1/1988	Watson	.....	D14/107 X
D. 294,146	2/1988	Duke	.....	D14/107
D. 323,489	1/1992	Harris, Jr. et al.	.....	D14/100
4,523,297	6/1985	Ugon et al.	.....	364/900
4,602,151	7/1986	Hellsberg	.....	235/493 X

4,705,211 11/1987 Honda et al. .... 235/380  
4,812,632 3/1989 Kakinuma et al. .... 235/479  
4,968,873 11/1990 Dethloff et al. .... 235/492 X

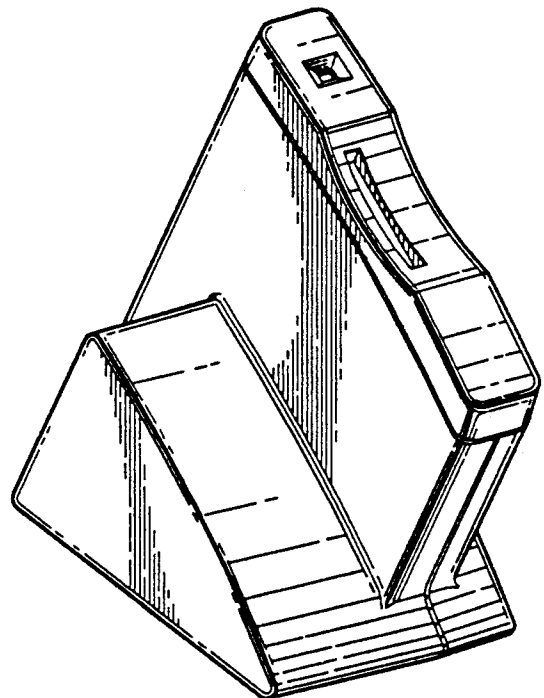
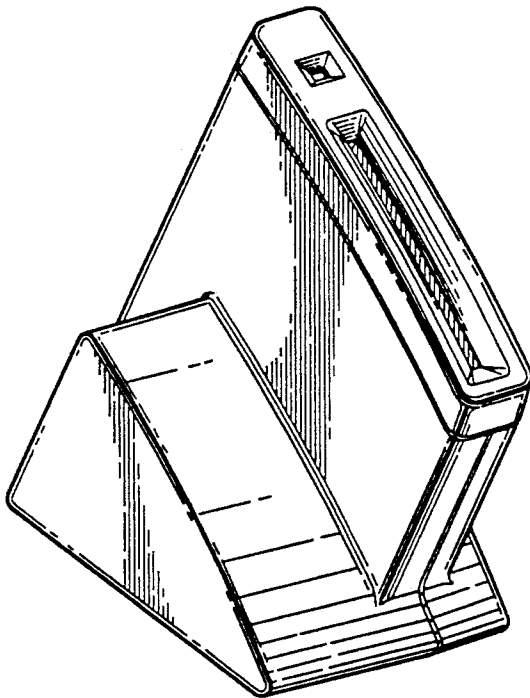
*Primary Examiner*—Wallace R. Burke  
*Assistant Examiner*—Freda S. Nunn  
*Attorney, Agent, or Firm*—Michael A. Morra

[57] **CLAIM**

The ornamental design for a smart card reader, as shown and described.

**DESCRIPTION**

FIG. 1 is a top front and left side perspective view of a smart card reader showing our new design; FIG. 2 is a top plan view thereof; FIG. 3 is a left side elevational view thereof; FIG. 4 is a right side elevational view thereof; FIG. 5 is a front elevational view thereof; FIG. 6 is a rear elevational view thereof; FIG. 7 is a bottom plan view thereof; FIG. 8 is a top, front and left side perspective view of a second embodiment of the smart card reader; FIG. 9 is a top plan view thereof the bottom plan view being identical with FIG. 7; FIG. 10 is a left side elevational view thereof; FIG. 11 is a right side elevational view thereof; and, FIG. 12 is a front elevational view thereof the rear elevational view being identical with FIG. 6.



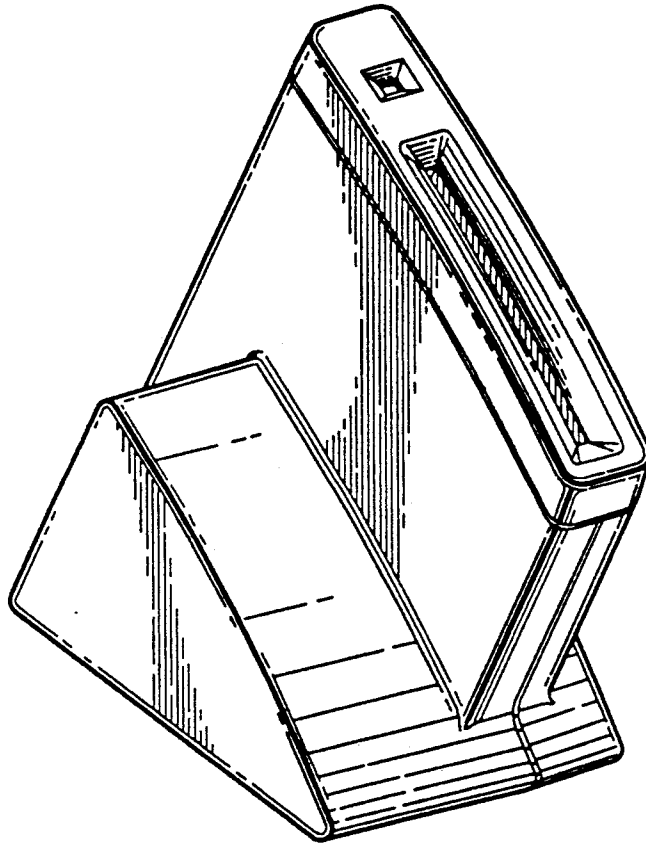


Fig. 1

Fig. 2

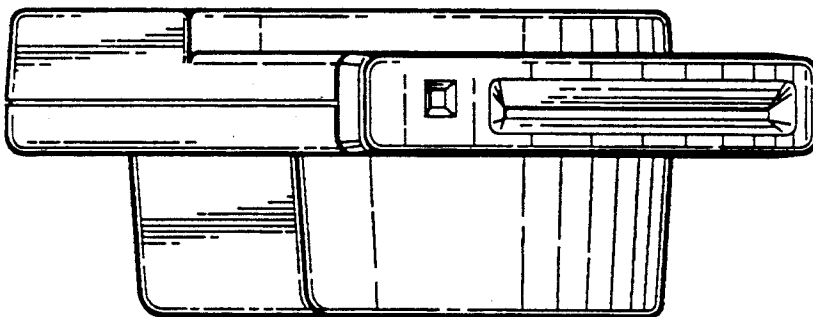


Fig. 3

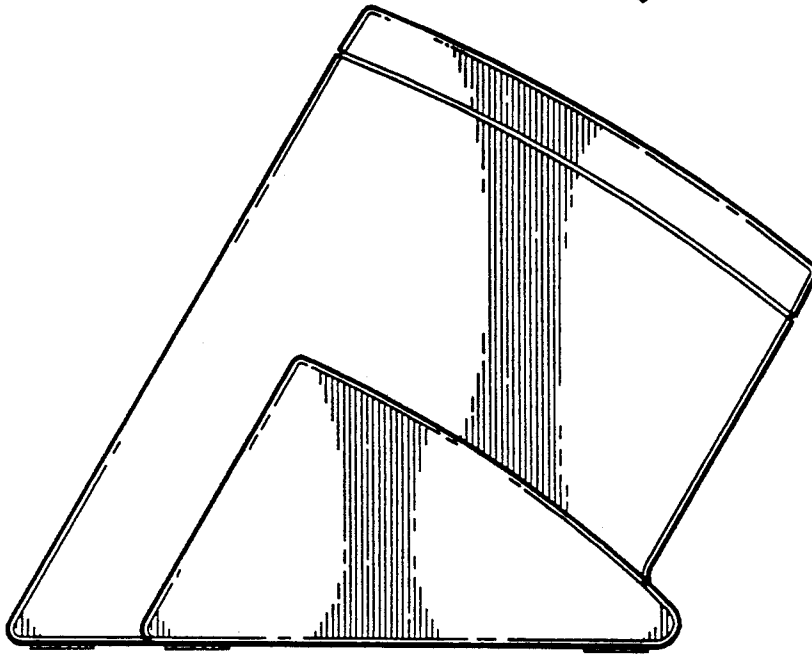


Fig. 4

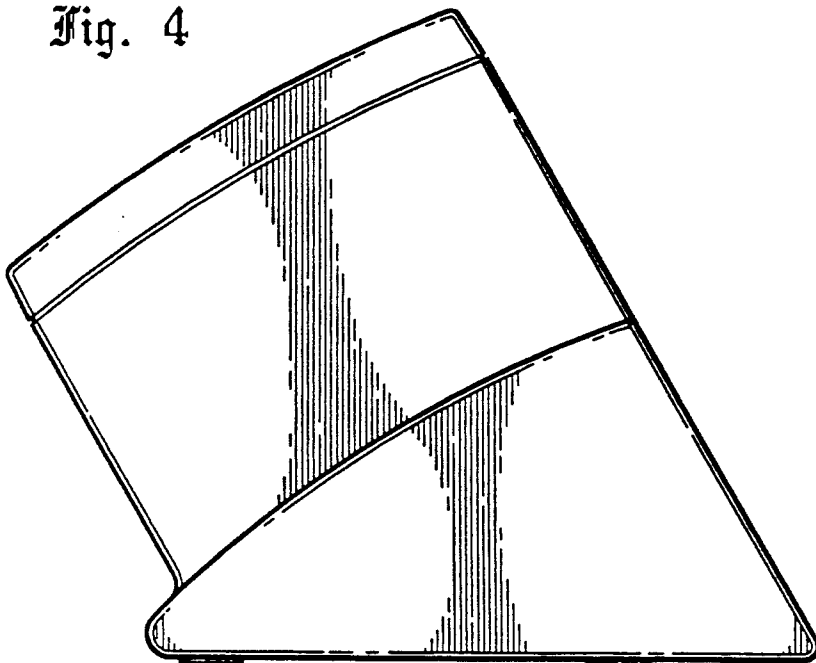


Fig. 5

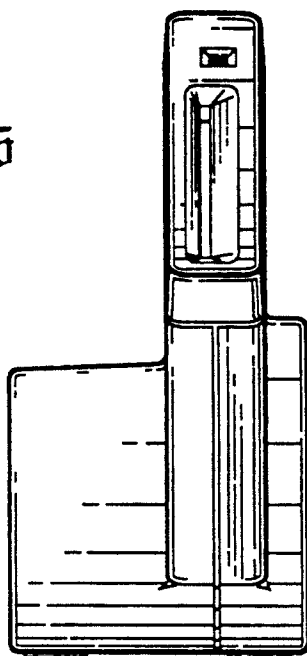


Fig. 6

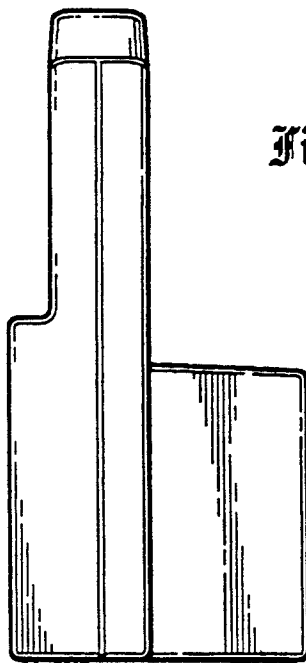
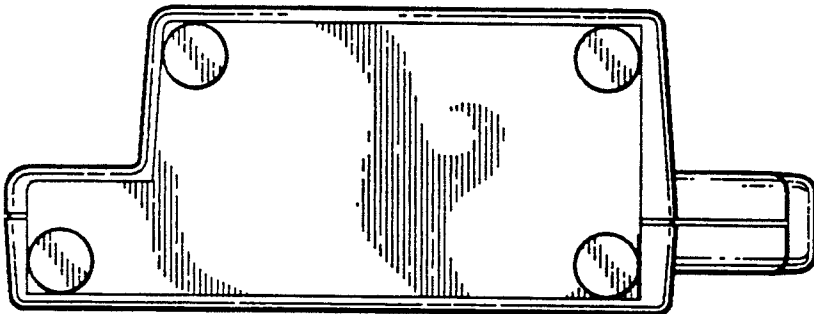


Fig. 7



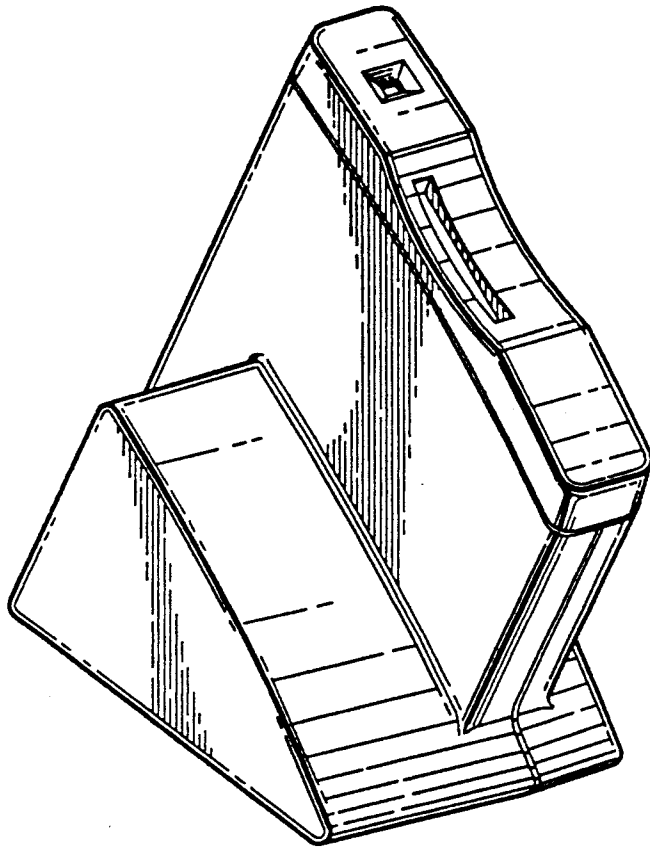


Fig. 8

Fig. 9

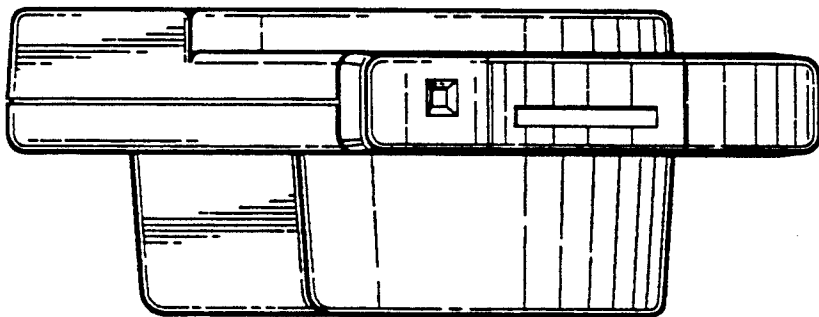


Fig. 10

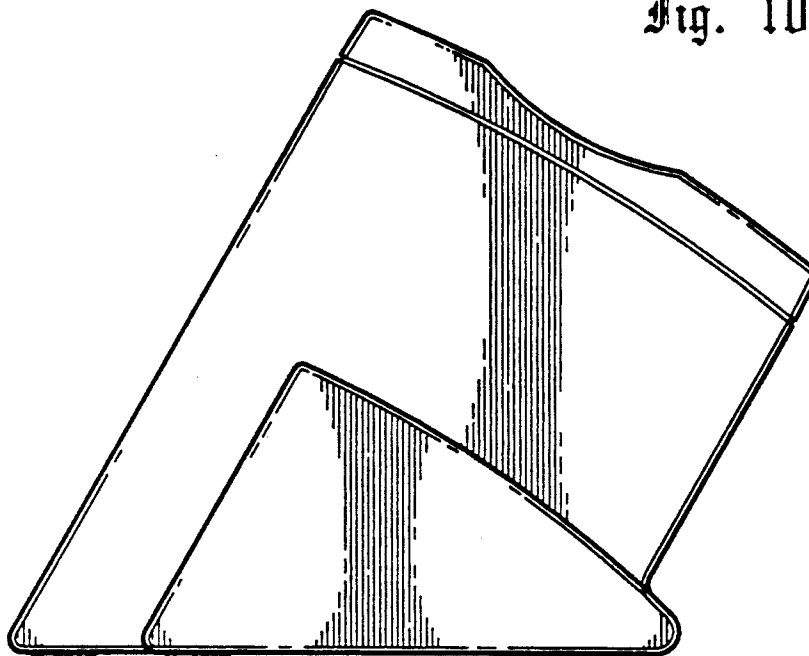


Fig. 11

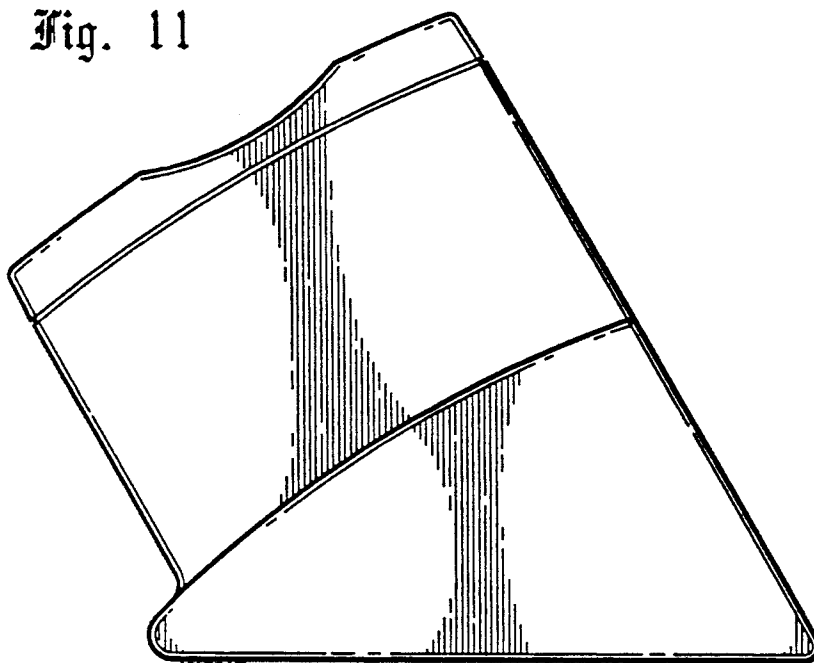


Fig. 12

