

(19) World Intellectual Property Organization
International Bureau



(43) International Publication Date
28 October 2010 (28.10.2010)

(10) International Publication Number
WO 2010/124221 A3

- (51) International Patent Classification:
A61B 5/145 (2006.01) A61B 5/1459 (2006.01)
A61B 5/1455 (2006.01)
- (21) International Application Number:
PCT/US2010/032259
- (22) International Filing Date:
23 April 2010 (23.04.2010)
- (25) Filing Language: English
- (26) Publication Language: English
- (30) Priority Data:
61/172,046 23 April 2009 (23.04.2009) US
- (72) Inventor; and
- (71) Applicant : ROSENSHEIN, Beth [US/US]; 300 Superior Drive, #G-315, Superior, Colorado 80027 (US).
- (74) Agent: MARSH FISCHMANN & BREYFOGLE LLP; MANNING, Russell, T., 8055 E. Tufts Avenue, Suite 450, Denver, Colorado 80237 (US).
- (81) Designated States (unless otherwise indicated, for every kind of national protection available): AE, AG, AL, AM,

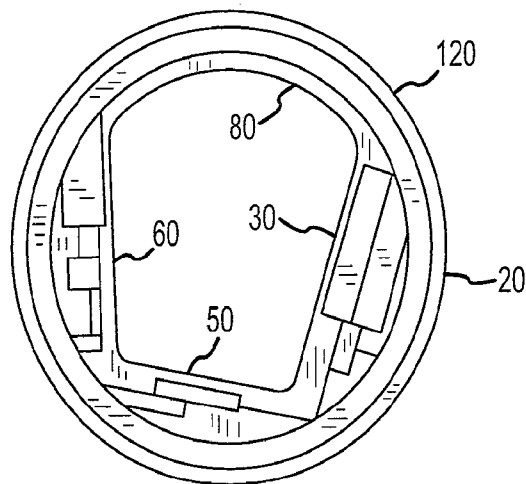
AO, AT, AU, AZ, BA, BB, BG, BH, BR, BW, BY, BZ, CA, CH, CL, CN, CO, CR, CU, CZ, DE, DK, DM, DO, DZ, EC, EE, EG, ES, FI, GB, GD, GE, GH, GM, GT, HN, HR, HU, ID, IL, IN, IS, JP, KE, KG, KM, KN, KP, KR, KZ, LA, LC, LK, LR, LS, LT, LU, LY, MA, MD, ME, MG, MK, MN, MW, MX, MY, MZ, NA, NG, NI, NO, NZ, OM, PE, PG, PH, PL, PT, RO, RS, RU, SC, SD, SE, SG, SK, SL, SM, ST, SV, SY, TH, TJ, TM, TN, TR, TT, TZ, UA, UG, US, UZ, VC, VN, ZA, ZM, ZW.

(84) Designated States (unless otherwise indicated, for every kind of regional protection available): ARIPO (BW, GH, GM, KE, LR, LS, MW, MZ, NA, SD, SL, SZ, TZ, UG, ZM, ZW), Eurasian (AM, AZ, BY, KG, KZ, MD, RU, TJ, TM), European (AT, BE, BG, CH, CY, CZ, DE, DK, EE, ES, FI, FR, GB, GR, HR, HU, IE, IS, IT, LT, LU, LV, MC, MK, MT, NL, NO, PL, PT, RO, SE, SI, SK, SM, TR), OAPI (BF, BJ, CF, CG, CI, CM, GA, GN, GQ, GW, ML, MR, NE, SN, TD, TG).

Published:
— with international search report (Art. 21(3))

[Continued on next page]

(54) Title: BODY CAVITY PHYSIOLOGICAL MEASUREMENT DEVICE



(57) Abstract: Provided herein is a self-contained physiological measuring device adapted for disposition within a patient body cavity, primarily the vagina, for an extended period of time (e.g., 6-48 hours or more). While disposed within the body cavity, the device periodically measures one or more physiological parameters. In addition to measuring such physiological parameters, the device is operative to store such measurements to memory for subsequent download/processing upon removal of the device from the body cavity and/or upon wireless interrogation.

FIG. 6

WO 2010/124221 A3



— *before the expiration of the time limit for amending the claims and to be republished in the event of receipt of amendments (Rule 48.2(h))*

(88) Date of publication of the international search report:
3 March 2011

A. CLASSIFICATION OF SUBJECT MATTER*A61B 5/145(2006.01)i, A61B 5/1455(2006.01)i, A61B 5/1459(2006.01)i*

According to International Patent Classification (IPC) or to both national classification and IPC

B. FIELDS SEARCHED

Minimum documentation searched (classification system followed by classification symbols)

A61B 5/145; G06F 15/16; H04J 3/22; H04B 7/02

Documentation searched other than minimum documentation to the extent that such documents are included in the fields searched

Korean utility models and applications for utility models

Japanese utility models and applications for utility models

Electronic data base consulted during the international search (name of data base and, where practicable, search terms used)

eKOMPASS(KIPO internal) & Keywords: monitoring device,sensor,physiological parameter

C. DOCUMENTS CONSIDERED TO BE RELEVANT

Category*	Citation of document, with indication, where appropriate, of the relevant passages	Relevant to claim No.
A	US 2005-0245795 A1 (PAUL GOODE et al.) 03 November 2005 See abstract, claims 1,4,39-41 and figures 1,3	1-18
A	WO 2008-130467 A1 (BOSTON SCIENTIFIC SCIMED, INC. et al.) 30 October 2008 See abstract, claim 1 and figure 1	1-18
A	US 2004-0064133 A1 (MICHAEL E. MILLER et al.) 01 April 2004 See abstract, claims 1,7-12 and figure 1	1-18

 Further documents are listed in the continuation of Box C. See patent family annex.

* Special categories of cited documents:

"A" document defining the general state of the art which is not considered to be of particular relevance

"E" earlier application or patent but published on or after the international filing date

"L" document which may throw doubts on priority claim(s) or which is cited to establish the publication date of citation or other special reason (as specified)

"O" document referring to an oral disclosure, use, exhibition or other means

"P" document published prior to the international filing date but later than the priority date claimed

"T" later document published after the international filing date or priority date and not in conflict with the application but cited to understand the principle or theory underlying the invention

"X" document of particular relevance; the claimed invention cannot be considered novel or cannot be considered to involve an inventive step when the document is taken alone

"Y" document of particular relevance; the claimed invention cannot be considered to involve an inventive step when the document is combined with one or more other such documents, such combination being obvious to a person skilled in the art

"&" document member of the same patent family

Date of the actual completion of the international search

23 DECEMBER 2010 (23.12.2010)

Date of mailing of the international search report

23 DECEMBER 2010 (23.12.2010)

Name and mailing address of the ISA/KR

Korean Intellectual Property Office
Government Complex-Daejeon, 139 Seonsa-ro, Seo-gu,
Daejeon 302-701, Republic of Korea

Facsimile No. 82-42-472-7140

Authorized officer

KIM Tae Hoon

Telephone No. 82-42-481-5728



INTERNATIONAL SEARCH REPORT

Information on patent family members

International application No.

PCT/US2010/032259

Patent document cited in search report	Publication date	Patent family member(s)	Publication date
US 2005-0245795 A1	03.11.2005	AU 2001-80886 A1	25.02.2002
		AU 2007-303239 A1	10.04.2008
		AU 2007-305002 A1	10.04.2008
		AU 2008-230832 A1	02.10.2008
		AU 2008-266162 A1	24.12.2008
		CA 2681412-A1	02.10.2008
		CA 2687980-A1	24.12.2008
		CN 101547633 A	30.09.2009
		EP 1011425 A1	28.06.2000
		EP 1011425 A4	16.06.2004
		EP 1011425 B1	02.05.2007
		EP 1624907 A2	15.02.2006
		EP 1624908 A2	15.02.2006
		EP 1648293 A1	26.04.2006
		EP 1711789 A2	18.10.2006
		EP 1711790 A2	18.10.2006
		EP 1711790 A4	02.07.2008
		EP 1711790 B1	08.09.2010
		EP 1711791 A2	18.10.2006
		EP 1711791 A4	27.02.2008
		EP 1711802 A2	18.10.2006
		EP 1711802 B1	14.07.2010
		EP 1718350 A1	08.11.2006
		EP 1742568 A2	17.01.2007
		EP 1742568 A4	07.07.2010
		EP 1776036 A1	25.04.2007
		EP 1804650 A1	11.07.2007
		EP 1893084 A2	05.03.2008
		EP 1991110 A2	19.11.2008
		EP 2004796 A2	24.12.2008
		EP 2069772 A2	17.06.2009
		EP 2091409 A2	26.08.2009
		EP 2129285 A1	09.12.2009
		EP 2155045 A1	24.02.2010
		EP 2223710 A1	01.09.2010
		EP 2226086 A1	08.09.2010
		EP 2228642 A1	15.09.2010
		EP 2239566 A2	13.10.2010
		EP 2239566 A3	17.11.2010
		EP 2239567 A2	13.10.2010
		EP 2239567 A3	17.11.2010
		JP 04-124827 B2	23.07.2008
		JP 2001-510382 A	31.07.2001
		JP 2006-525853 A	16.11.2006
JP 2007-501028 A	25.01.2007		
JP 2007-501684 A	01.02.2007		
JP 2007-525276 A	06.09.2007		
JP 2007-535991 A	13.12.2007		
JP 2007-535991 T	13.12.2007		

INTERNATIONAL SEARCH REPORT

Information on patent family members

International application No.

PCT/US2010/032259

Patent document cited in search report	Publication date	Patent family member(s)	Publication date
		JP 2008-096448 A	24.04.2008
		JP 2008-506468 A	06.03.2008
		JP 2008-506469 A	06.03.2008
		JP 2010-505534 A	25.02.2010
		US 2004-0011671 A1	22.01.2004
		US 2004-0045879 A1	11.03.2004
		US 2005-0027180 A1	03.02.2005
		US 2005-0027181 A1	03.02.2005
		US 2005-0027462 A1	03.02.2005
		US 2005-0027463 A1	03.02.2005
		US 2005-0031689 A1	10.02.2005
		US 2005-0033132 A1	10.02.2005
		US 2005-0043598 A1	24.02.2005
		US 2005-0054909 A1	10.03.2005
		US 2005-0112169 A1	26.05.2005
		US 2005-0124873 A1	09.06.2005
		US 2005-0143635 A1	30.06.2005
		US 2005-0154271 A1	14.07.2005
		US 2005-0176136 A1	11.08.2005
		US 2005-0177036 A1	11.08.2005
		US 2005-0187720 A1	25.08.2005
		US 2005-0192557 A1	01.09.2005
		US 2005-0203360 A1	15.09.2005
		US 2005-245795 A1	03.11.2005
		US 2006-0015024 A1	19.01.2006
		US 2006-0016700 A1	26.01.2006
		US 2006-0019327 A1	26.01.2006
		US 2006-0020186 A1	26.01.2006
		US 2006-0020187 A1	26.01.2006
		US 2006-0020188 A1	26.01.2006
		US 2006-0020189 A1	26.01.2006
		US 2006-0020190 A1	26.01.2006
		US 2006-0020191 A1	26.01.2006
		US 2006-0020192 A1	26.01.2006
		US 2006-0036139 A1	16.02.2006
		US 2006-0036140 A1	16.02.2006
		US 2006-0036141 A1	16.02.2006
		US 2006-0036142 A1	16.02.2006
		US 2006-0036143 A1	16.02.2006
		US 2006-0036144 A1	16.02.2006
		US 2006-0036145 A1	16.02.2006
		US 2006-0040402 A1	23.02.2006
		US 2006-0142651 A1	29.06.2006
		US 2006-0155180 A1	13.07.2006
		US 2006-0183984 A1	17.08.2006
		US 2006-0183985 A1	17.08.2006
		US 2006-0189856 A1	24.08.2006
		US 2006-0195029 A1	31.08.2006
		US 2006-0198864 A1	07.09.2006
		US 2006-0200019 A1	07.09.2006

INTERNATIONAL SEARCH REPORT

Information on patent family members

International application No.

PCT/US2010/032259

Patent document cited in search report	Publication date	Patent family member(s)	Publication date
		US 2006-0200020 A1	07.09.2006
		US 2006-0200970 A1	14.09.2006
		US 2006-0204536 A1	14.09.2006
		US 2006-0222566 A1	05.10.2006
		US 2006-0229512 A1	12.10.2006
		US 2006-0235285 A1	19.10.2006
		US 2006-0249381 A1	09.11.2006
		US 2006-0252027 A1	09.11.2006
		US 2006-0253012 A1	09.11.2006
		US 2006-0258929 A1	16.11.2006
		US 2006-0270922 A1	30.11.2006
		US 2006-0270923 A1	30.11.2006
		US 2007-0016381 A1	18.01.2007
		US 2007-0027370 A1	01.02.2007
		US 2007-0027384 A1	01.02.2007
		US 2007-027385 A1	01.02.2007
		US 2007-032706 A1	08.02.2007
		US 2007-032717 A1	08.02.2007
		US 2007-032718 A1	08.02.2007
		US 2007-038044 A1	15.02.2007
		US 2007-045902 A1	01.03.2007
		US 2007-059196 A1	15.03.2007
		US 2007-066873 A1	22.03.2007
		US 2007-093704 A1	26.04.2007
		US 2007-163880 A1	19.07.2007
		US 2007-173708 A9	26.07.2007
		US 2007-173709 A1	26.07.2007
		US 2007-173710 A1	26.07.2007
		US 2007-197890 A1	23.08.2007
		US 2007-203966 A1	30.08.2007
		US 2007-208244 A1	06.09.2007
		US 2007-208245 A1	06.09.2007
		US 2007-208246 A1	06.09.2007
		US 2007-213611 A1	13.09.2007
		US 2007-232879 A1	04.10.2007
		US 2007-235331 A1	11.10.2007
		US 2007-244379 A1	18.10.2007
		US 2007-265515 A1	15.11.2007
		US 2008-021666 A1	24.01.2008
		US 2008-033254 A1	07.02.2008
		US 2008-071156 A1	20.03.2008
		US 2008-083617 A1	10.04.2008
		US 2008-086042 A1	10.04.2008
		US 2008-086044 A1	10.04.2008
		US 2008-086273 A1	10.04.2008
		US 2008-108942 A1	08.05.2008
		US 2008-119703 A1	22.05.2008
		US 2008-119704 A1	22.05.2008
		US 2008-119706 A1	22.05.2008
		US 2008-183061 A1	31.07.2008

INTERNATIONAL SEARCH REPORT

Information on patent family members

International application No.

PCT/US2010/032259

Patent document cited in search report	Publication date	Patent family member(s)	Publication date
		US 2008-183399 A1	31.07.2008
		US 2008-188731 A1	07.08.2008
		US 2008-189051 A1	07.08.2008
		US 2008-194935 A1	14.08.2008
		US 2008-194936 A1	14.08.2008
		US 2008-194937 A1	14.08.2008
		US 2008-194938 A1	14.08.2008
		US 2008-195967 A1	14.08.2008
		US 2008-197024 A1	21.08.2008
		US 2008-200788 A1	21.08.2008
		US 2008-200789 A1	21.08.2008
		US 2008-200791 A1	21.08.2008
		US 2008-214915 A1	04.09.2008
		US 2008-214918 A1	04.09.2008
		US 2008-228051 A1	18.09.2008
		US 2008-228054 A1	18.09.2008
		US 2008-242961 A1	02.10.2008
		US 2008-262469 A1	23.10.2008
		US 2008-275313 A1	06.11.2008
		US 2010-041971 A1	18.02.2010
		US 6001067 A1	14.12.1999
		US 6558321 B1	06.05.2003
		US 6741877 B1	25.05.2004
		US 6862465 B2	01.03.2005
		US 6931327 B2	16.08.2005
		US 7110803 B2	19.09.2006
		US 7136689 B2	14.11.2006
		US 7192450 B2	20.03.2007
		US 7236890W D	26.06.2007
		US 7276029 B2	02.10.2007
		US 7310544 B2	18.12.2007
		US 7366556 B2	29.04.2008
		US 7379765 B2	27.05.2008
		US 7424318 B2	09.09.2008
		US 7460898 B2	02.12.2008
		US 7467003 B2	16.12.2008
		US 7494465 B2	24.02.2009
		US 7497827 B2	03.03.2009
		US 7519408 B2	14.04.2009
		US 7530950 B2	12.05.2009
		US 7583990 B2	01.09.2009
		US 7591801 B2	22.09.2009
		US 7599726 B2	06.10.2009
		US 7613491 B2	03.11.2009
		US 7615007 B2	10.11.2009
		US 7640048 B2	29.12.2009
		US 7651596 B2	26.01.2010
		US 7654956 B2	02.02.2010
		US 7657297 B2	02.02.2010
		US 7693560 B2	06.04.2010

INTERNATIONAL SEARCH REPORT

Information on patent family members

International application No.

PCT/US2010/032259

Patent document cited in search report	Publication date	Patent family member(s)	Publication date
		US 7711402 B2	04.05.2010
		US 7713574 B2	11.05.2010
		US 7715893 B2	11.05.2010
		US 7761130 B2	20.07.2010
		US 7771352 B2	10.08.2010
		US 7774145 B2	10.08.2010
		US 7775975 B2	17.08.2010
		US 7778680 B2	17.08.2010
		US 7783333 B2	24.08.2010
		US 7797028 B2	14.09.2010
		US 7826981 B2	02.11.2010
		US 7828728 B2	09.11.2010
		US 7831287 B2	09.11.2010
WO 2008-130467 A1	30.10.2008	US 2010-121161 A1	13.05.2010
US 2004-0064133 A1	01.04.2004	AU 2002-343567 A8	06.05.2003
		AU 2003-272516 A1	19.04.2004
		AU 2003-272516 A8	19.04.2004
		CA 2498351-A1	08.04.2004
		EP 1438029 A2	21.07.2004
		EP 1549242 A2	06.07.2005
		EP 1549242 A4	07.06.2006
		JP 2005-525139 A	25.08.2005
		JP 2006-500170 A	05.01.2006
		JP 2006-500170 T	05.01.2006
		US 2003-0078560 A1	24.04.2003
		US 2005-0090866 A1	28.04.2005
		US 2006-0079858 A1	13.04.2006
		US 2009-030297 A1	29.01.2009
		US 7025760 B2	11.04.2006
		US 7736309 B2	15.06.2010
		WO 03-034902 A2	01.05.2003
		WO 03-034902 A3	01.05.2003
		WO 2004-028337 A2	08.04.2004
		WO 2004-028337 A3	28.04.2005
		WO 2004-028337 A3	08.04.2004