

(19) World Intellectual Property Organization  
International Bureau



(43) International Publication Date  
7 December 2000 (07.12.2000)

PCT

(10) International Publication Number  
**WO 00/73155 A3**

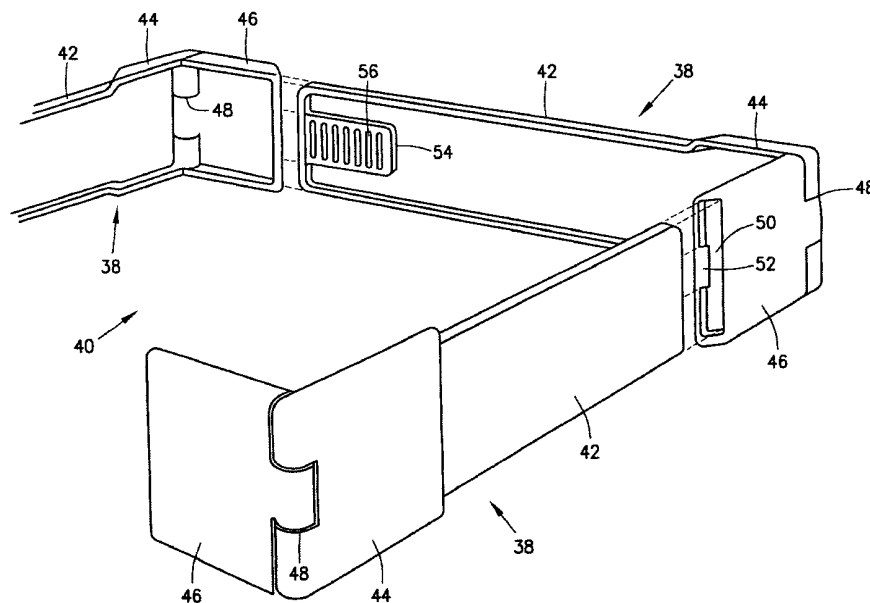
- (51) International Patent Classification<sup>7</sup>: **B65D 19/00**, A47B 17/00 (74) Agents: **DUJMICH, Louis, C. et al.**; Ostrolenk, Faber, Gerb & Soffen, LLP, 1180 Avenue of the Americas, New York, NY 10036 (US).
- (21) International Application Number: PCT/US00/13500 (81) Designated States (*national*): AE, AG, AL, AM, AT, AU, AZ, BA, BB, BG, BR, BY, CA, CH, CN, CR, CU, CZ, DE, DK, DM, DZ, EE, ES, FI, GB, GD, GE, GH, GM, HR, HU, ID, IL, IN, IS, JP, KE, KG, KP, KR, KZ, LC, LK, LR, LS, LT, LU, LV, MA, MD, MG, MK, MN, MW, MX, NO, NZ, PL, PT, RO, RU, SD, SE, SG, SI, SK, SL, TJ, TM, TR, TT, TZ, UA, UG, UZ, VN, YU, ZA, ZW.
- (22) International Filing Date: 17 May 2000 (17.05.2000)
- (25) Filing Language: English (84) Designated States (*regional*): ARIPO patent (GH, GM, KE, LS, MW, SD, SL, SZ, TZ, UG, ZW), Eurasian patent (AM, AZ, BY, KG, KZ, MD, RU, TJ, TM), European patent (AT, BE, CH, CY, DE, DK, ES, FI, FR, GB, GR, IE, IT, LU, MC, NL, PT, SE), OAPI patent (BF, BJ, CF, CG, CI, CM, GA, GN, GW, ML, MR, NE, SN, TD, TG).
- (26) Publication Language: English
- (30) Priority Data:  
60/136,168 27 May 1999 (27.05.1999) US  
09/537,326 29 March 2000 (29.03.2000) US
- (71) Applicant: **SAFE-STRAP COMPANY, INC.** [US/US];  
30 Centre Road - Unit 1, Somersworth, NH 03878 (US).
- (72) Inventors: **GIAMPAVOLO, Paul**; Safe-Strap Company, Inc., 30 Centre Road - Unit 1, Somersworth, NH 03878 (US). **SHELTON, Robert, N.**; Safe-Strap Company, Inc., 30 Centre Road - Unit 1, Somersworth, NH 03878 (US).

**Published:**

- With international search report.
- Before the expiration of the time limit for amending the claims and to be republished in the event of receipt of amendments.

[Continued on next page]

(54) Title: **ADJUSTABLE PALLET GUARD**



(57) Abstract: A pallet guard (40) includes a plurality of modular pallet guard sections (38). Each pallet guard section (38) comprises a connecting piece (44) and a wall (42). The connecting pieces are adjustable. The walls (42) are matable with another pallet guard section (38) so that the pallet guard is adjustable to accommodate varying size pallets and/or spill-over merchandise on the pallet. Each connecting piece (44) may be moveable between a first position, wherein the connecting piece is straight, and a second angled position where the pallet connecting piece forms a corner.



**WO 00/73155 A3**



---

**(88) Date of publication of the international search report:**  
1 March 2001

*For two-letter codes and other abbreviations, refer to the "Guidance Notes on Codes and Abbreviations" appearing at the beginning of each regular issue of the PCT Gazette.*

INTERNATIONAL SEARCH REPORT

International application No.  
PCT/US00/13500

A. CLASSIFICATION OF SUBJECT MATTER

IPC(7) :B65D 19/00; A47B 17/00  
US CL :108/27, 51.11; 40/584

According to International Patent Classification (IPC) or to both national classification and IPC

B. FIELDS SEARCHED

Minimum documentation searched (classification system followed by classification symbols)

U.S. : 108/27, 51.11; 40/584; 108/55.1, 56.1; 40/299.01, 783, 784; 206/386, 459.5, 600; 220/23.88, 23.91

Documentation searched other than minimum documentation to the extent that such documents are included in the fields searched

Electronic data base consulted during the international search (name of data base and, where practicable, search terms used)

C. DOCUMENTS CONSIDERED TO BE RELEVANT

Category*	Citation of document, with indication, where appropriate, of the relevant passages	Relevant to claim No.
X	US 5,899,337 A (THEBEAULT) 04 MAY 1999, col. 1, line 60+.	1-2, 6-7, 10, 17-28
A	US 4,426,015 A (PRESTON ET AL) 17 JANUARY 1984, Figs 9-11.	1-33
A	US 4,635,562 A (KREEGER) 13 JANUARY 1987, Fig 1.	1-33
A	US 5,762,222 A (LIU) 09 JUNE 1998, Figs 2-3.	1-33

Further documents are listed in the continuation of Box C.  See patent family annex.

* Special categories of cited documents.	"T" later document published after the international filing date or priority date and not in conflict with the application but cited to understand the principle or theory underlying the invention
"A" document defining the general state of the art which is not considered to be of particular relevance	"X" document of particular relevance, the claimed invention cannot be considered novel or cannot be considered to involve an inventive step when the document is taken alone
"E" earlier document published on or after the international filing date	"Y" document of particular relevance, the claimed invention cannot be considered to involve an inventive step when the document is combined with one or more other such documents, such combination being obvious to a person skilled in the art
"L" document which may throw doubts on priority claim(s) or which is cited to establish the publication date of another citation or other special reason (as specified)	"&" document member of the same patent family
"O" document referring to an oral disclosure, use, exhibition or other means	
"P" document published prior to the international filing date but later than the priority date claimed	

Date of the actual completion of the international search  
28 NOVEMBER 2000

Date of mailing of the international search report  
29 DEC 2000

Name and mailing address of the ISA/US  
Commissioner of Patents and Trademarks  
Box PCT  
Washington, D.C. 20231

Facsimile No. (703) 305-3230

Authorized officer

HANH V. TRAN

Telephone No. (703) 308-2168