



US00D766872S

(12) **United States Design Patent** (10) **Patent No.:** **US D766,872 S**
Jeon et al. (45) **Date of Patent:** **** Sep. 20, 2016**

(54) **SPEAKER FOR TV RECEIVER**
(71) Applicant: **LG ELECTRONICS INC.**, Seoul (KR)
(72) Inventors: **Byunglok Jeon**, Seoul (KR); **Seonkyu Kim**, Seoul (KR)
(73) Assignee: **LG ELECTRONICS INC.**, Seoul (KR)
(**) Term: **14 Years**
(21) Appl. No.: **29/519,126**
(22) Filed: **Mar. 2, 2015**
(30) **Foreign Application Priority Data**

Sep. 3, 2014 (KR) 30-2014-0042955

(51) **LOC (10) Cl.** **14-03**
(52) **U.S. Cl.**
USPC **D14/214**

(58) **Field of Classification Search**
USPC D14/167, 168, 170-172, 188, 194-196, D14/204, 207, 209.1, 210-216, 219, 221, D14/222, 224, 239, 496; 181/143, 144, 147, 181/148, 150, 153, 157, 198, 199; 381/300-303, 306, 332, 333, 336, 345, 381/361-364, 386-388; 369/6-12
CPC .. B60R 11/0217; G06F 1/1688; H04M 1/03; H04M 1/035; H04R 1/02; H04R 1/06; H04R 1/021; H04R 1/025; H04R 1/026; H04R 1/028; H04R 1/105; H04R 1/323; H04R 1/403; H04R 1/2803; H04R 1/2834; H04R 5/02; H04R 7/20; H04R 9/06; H04R 9/025; H04R 2201/021; H04R 2400/00; H04R 2400/07; H04R 2499/11; H04R 2499/13; H04R 2499/15; H04S 3/00; H04S 7/30

See application file for complete search history.

(56) **References Cited**
U.S. PATENT DOCUMENTS
D613,310 S * 4/2010 Kim D14/502
D634,729 S * 3/2011 Endo D14/188
D655,271 S * 3/2012 Park D14/188
D692,849 S * 11/2013 Choi D14/188
D717,272 S * 11/2014 Kim D14/204
D746,338 S * 12/2015 Kim D14/204
D749,055 S * 2/2016 Lee D14/204

* cited by examiner

Primary Examiner — Keli L Hill
(74) *Attorney, Agent, or Firm* — Birch, Stewart, Kolasch & Birch, LLP

(57) **CLAIM**
The ornamental design for a speaker for TV receiver, as shown and described.

DESCRIPTION

FIG. 1 is a front, right side, perspective view of a speaker for TV receiver showing our new design;
FIG. 2 is a front view thereof;
FIG. 3 is a rear view thereof;
FIG. 4 is a left side view thereof;
FIG. 5 is a right side view thereof;
FIG. 6 is a top view thereof;
FIG. 7 is a bottom view thereof; and,
FIG. 8 is a front, right side, perspective view with the TV receiver in use state thereof.
The broken lines indicate unclaimed portion of the article that form no part of the claimed design.

1 Claim, 3 Drawing Sheets

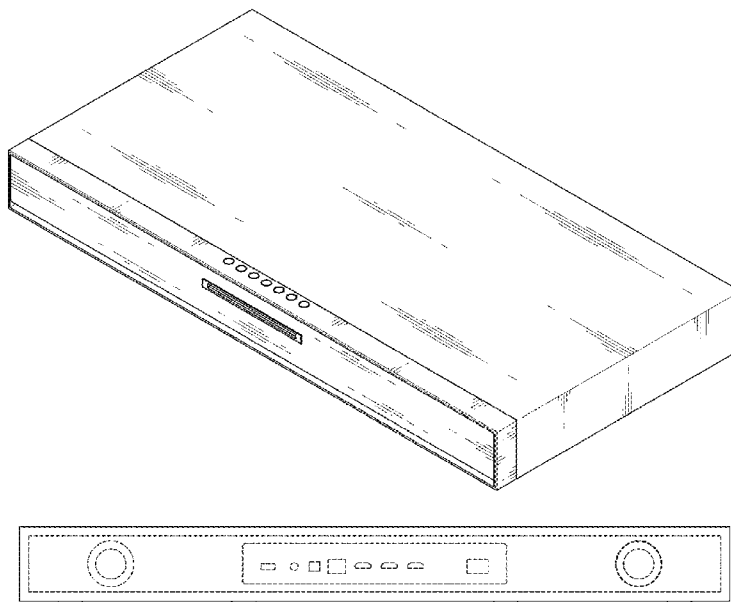


FIG. 1

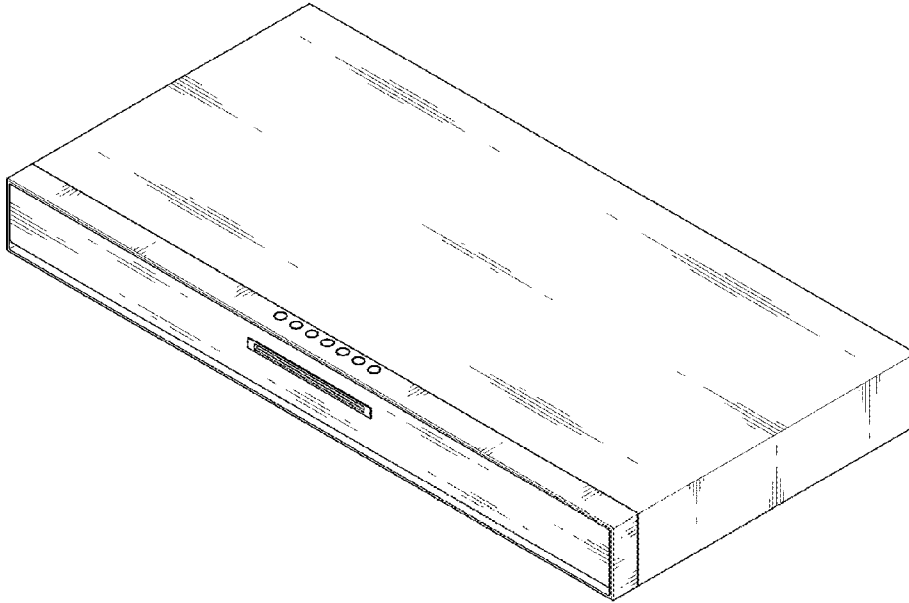


FIG. 2

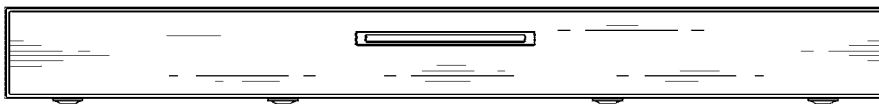


FIG. 3

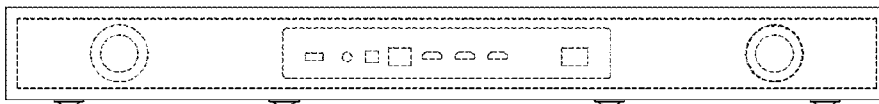


FIG. 4

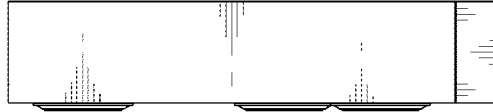


FIG. 5

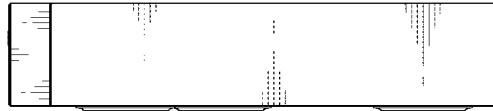


FIG. 6

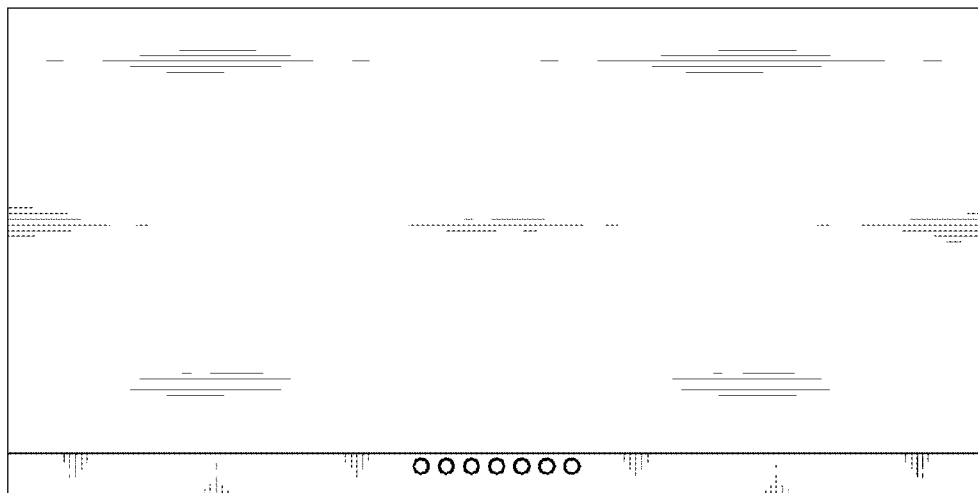


FIG. 7

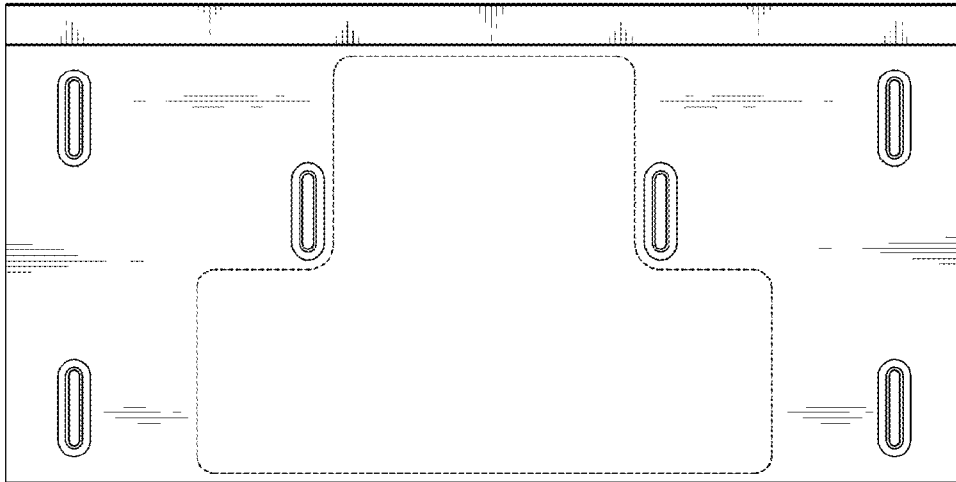


FIG. 8

