



US00D489031S

(12) **United States Design Patent**
Leibman

(10) **Patent No.:** **US D489,031 S**

(45) **Date of Patent:** **** Apr. 27, 2004**

(54) **LICENSE PLATE HOLDER**

(76) Inventor: **Michael Leibman**, 1002 44th Dr., Long Island City, NY (US) 11101

(**) Term: **14 Years**

(21) Appl. No.: **29/158,821**

(22) Filed: **Apr. 10, 2002**

(51) **LOC (7) Cl.** **12-16**

(52) **U.S. Cl.** **D12/193**

(58) **Field of Search** D12/193; D6/300-303, D6/310-314; 40/200-203, 207-216

(56) **References Cited**

U.S. PATENT DOCUMENTS

D285,784 S	*	9/1986	Langensiepen	D12/193
D354,087 S	*	1/1995	Dunlap et al.	D12/193 X
D367,459 S	*	2/1996	Spencer	D12/193
D368,693 S	*	4/1996	Spencer	D12/193
D382,240 S	*	8/1997	Francis	D12/193
D412,307 S	*	7/1999	Hartmann et al.	D12/193
D413,847 S	*	9/1999	Hartmann et al.	D12/193
D437,815 S	*	2/2001	Lyon	D12/193
D455,106 S	*	4/2002	Yang	D12/193

* cited by examiner

Primary Examiner—Stacia Cadmus

(74) *Attorney, Agent, or Firm*—Howard C. Miskin, Esq.; Gloria Tsui-Yip, Esq.

(57) **CLAIM**

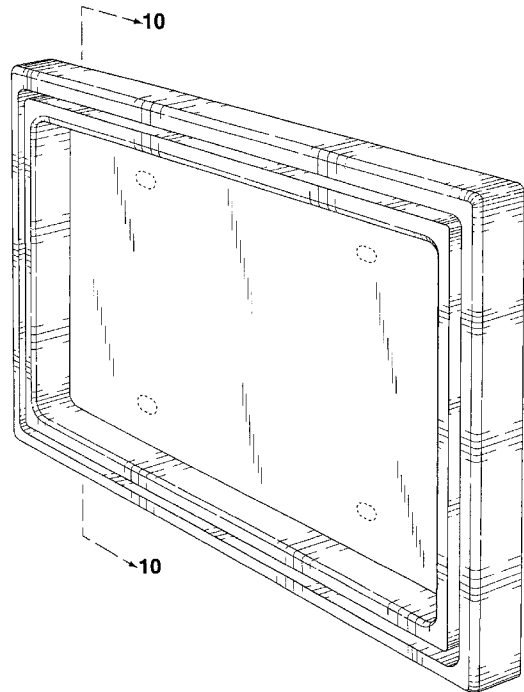
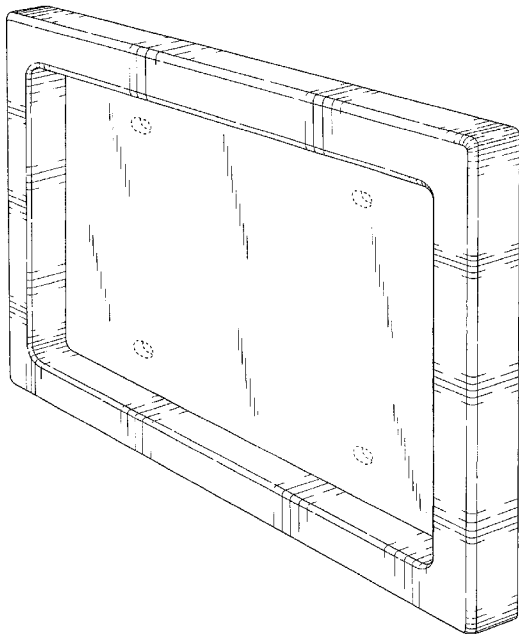
The ornamental design for a license plate holder, as shown and described.

DESCRIPTION

FIG. 1 is a perspective view of my new design;
 FIG. 2 is a front elevational view;
 FIG. 3 is a cross sectional view, taken along line 3—3 of FIG. 2;
 FIG. 4 is a rear elevational view;
 FIG. 5 is a bottom plan view;
 FIG. 6 is a top plan view;
 FIG. 7 is a right side view;
 FIG. 8 is a left side view;
 FIG. 9 is a perspective view of a second embodiment of my new design;
 FIG. 10 is a cross sectional view, taken along line 10—10 of FIG. 9;
 FIG. 11 is a cross sectional view similar to FIG. 3 of a third embodiment of my new design;
 FIG. 12 is a cross sectional view similar to FIG. 3 of a fourth embodiment of my new design; and,
 FIG. 13 is a cross sectional view similar to FIG. 3 of a fifth embodiment of my new design.

The broken lines showing of a license plate, openings, text and bumper in FIGS. 1, 2, 4, 9 and 11 are for illustrative purposes only and form no part of the claimed design.

1 Claim, 7 Drawing Sheets



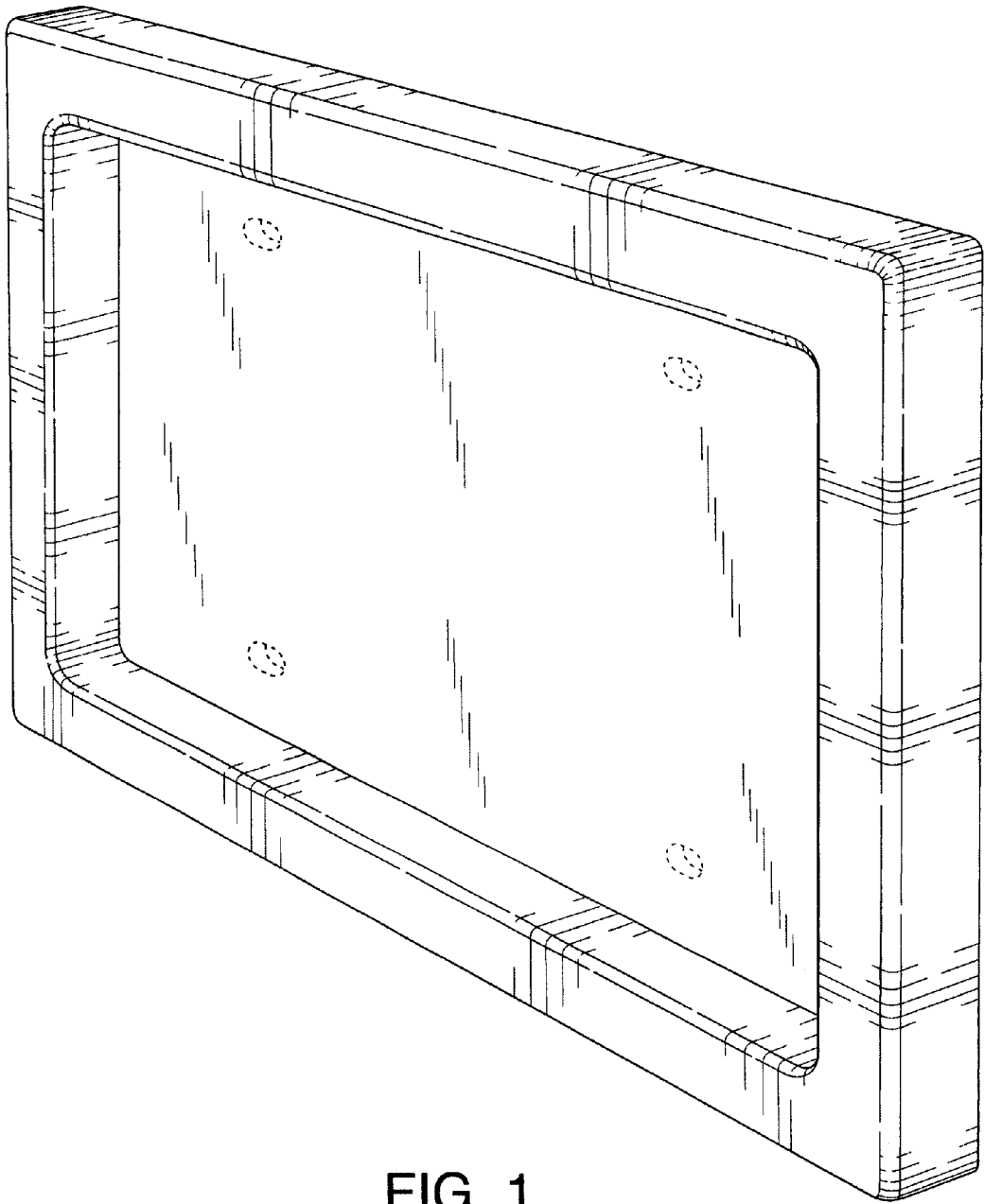


FIG. 1

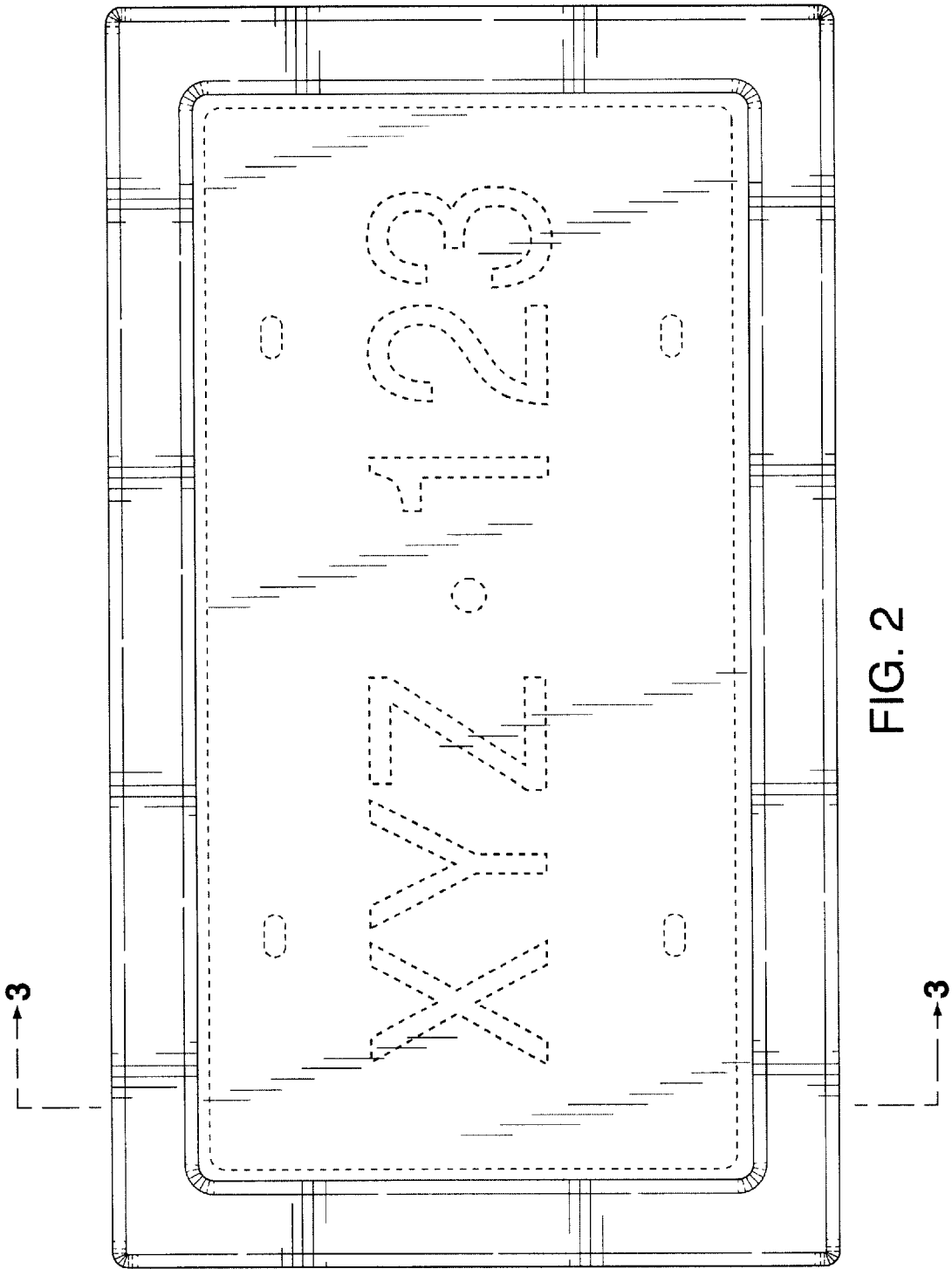


FIG. 2

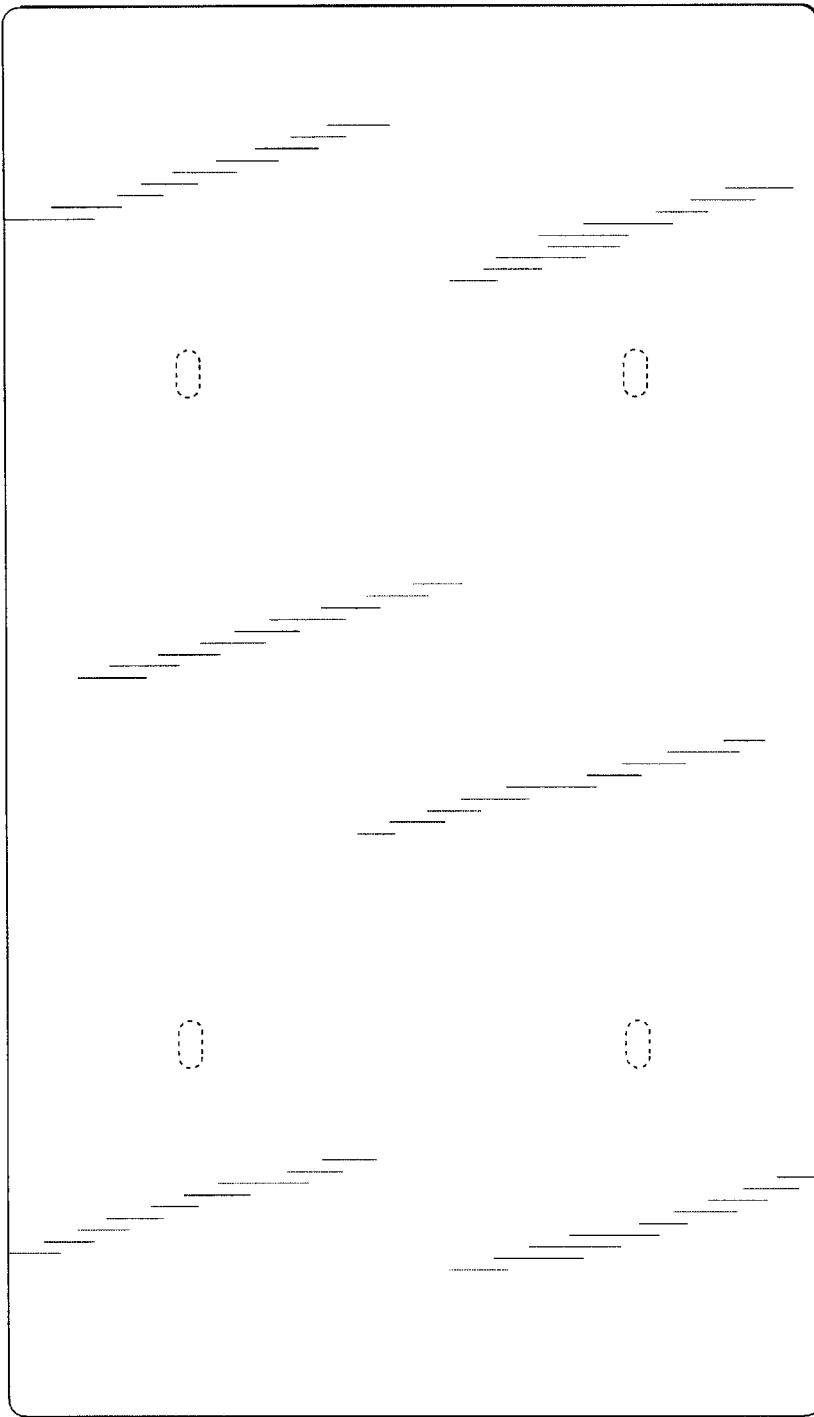


FIG. 4



FIG. 3



FIG. 5

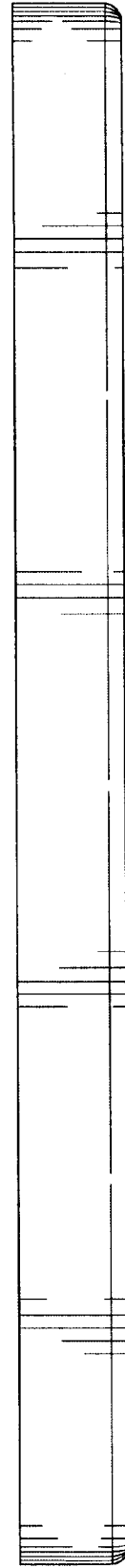


FIG. 6

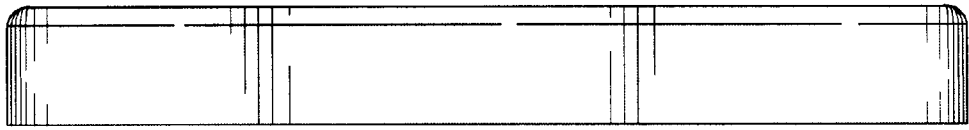


FIG. 8

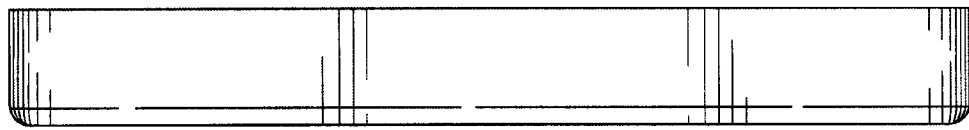


FIG. 7

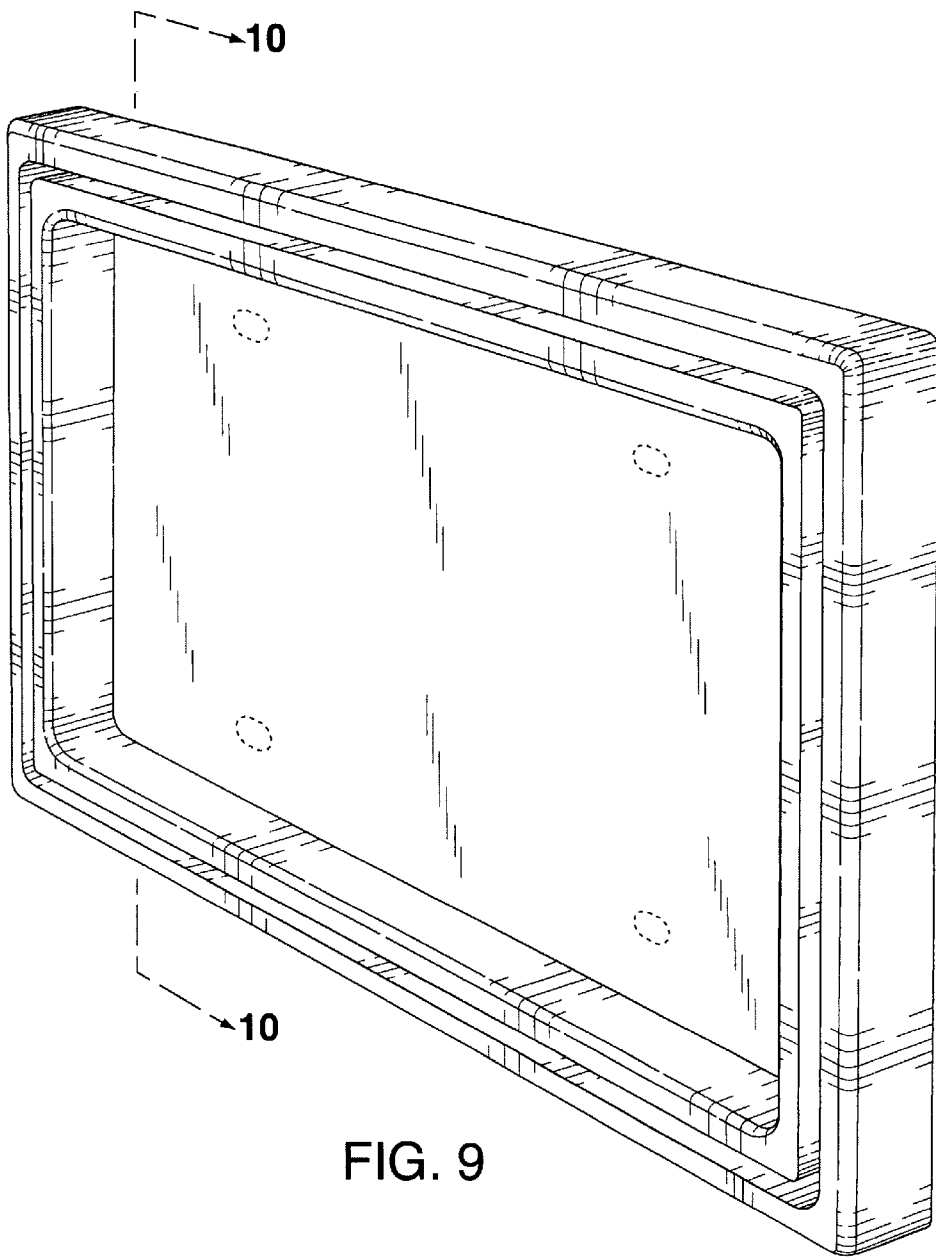


FIG. 9



FIG. 10



FIG. 13



FIG. 12

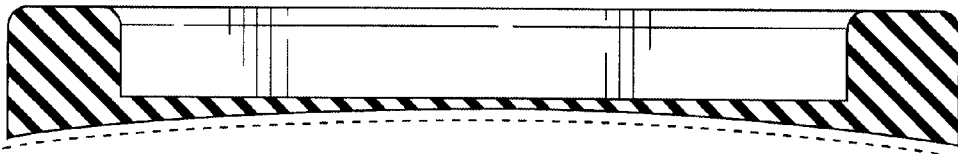


FIG. 11