



- (51) **International Patent Classification:**
A47J 31/46 (2006.01)
- (21) **International Application Number:**
PCT/IB2012/001534
- (22) **International Filing Date:**
8 August 2012 (08.08.2012)
- (25) **Filing Language:** Italian
- (26) **Publication Language:** English
- (30) **Priority Data:**
MO2011A000206 9 August 2011 (09.08.2011) IT
- (71) **Applicant (for all designated States except US):** STUDIO LEONARDI S.R.L. [IT/IT]; Via Pietro Bembo, 36, 41136 Modena (IT).
- (72) **Inventor; and**
- (75) **Inventor/Applicant (for US only):** LEONARDI, Fausto [IT/IT]; Via Giardini, 186, I-41124 MODENA (IT).
- (74) **Agent:** BRUNACCI, Marco; Brunacci & Partners S.r.l., Via Scaglia Est, 19-31, 41126 Modena (IT).
- (81) **Designated States (unless otherwise indicated, for every kind of national protection available):** AE, AG, AL, AM, AO, AT, AU, AZ, BA, BB, BG, BH, BN, BR, BW, BY, BZ, CA, CH, CL, CN, CO, CR, CU, CZ, DE, DK, DM,

DO, DZ, EC, EE, EG, ES, FI, GB, GD, GE, GH, GM, GT, HN, HR, HU, ID, IL, IN, IS, JP, KE, KG, KM, KN, KP, KR, KZ, LA, LC, LK, LR, LS, LT, LU, LY, MA, MD, ME, MG, MK, MN, MW, MX, MY, MZ, NA, NG, NI, NO, NZ, OM, PE, PG, PH, PL, PT, QA, RO, RS, RU, RW, SC, SD, SE, SG, SK, SL, SM, ST, SV, SY, TH, TJ, TM, TN, TR, TT, TZ, UA, UG, US, UZ, VC, VN, ZA, ZM, ZW.

(84) **Designated States (unless otherwise indicated, for every kind of regional protection available):** ARIPO (BW, GH, GM, KE, LR, LS, MW, MZ, NA, RW, SD, SL, SZ, TZ, UG, ZM, ZW), Eurasian (AM, AZ, BY, KG, KZ, RU, TJ, TM), European (AL, AT, BE, BG, CH, CY, CZ, DE, DK, EE, ES, FI, FR, GB, GR, HR, HU, IE, IS, IT, LT, LU, LV, MC, MK, MT, NL, NO, PL, PT, RO, RS, SE, SI, SK, SM, TR), OAPI (BF, BJ, CF, CG, CI, CM, GA, GN, GQ, GW, ML, MR, NE, SN, TD, TG).

Published:

- with international search report (Art. 21(3))
- before the expiration of the time limit for amending the claims and to be republished in the event of receipt of amendments (Rule 48.2(h))

(88) **Date of publication of the international search report:**
4 April 2013

(54) **Title:** MACHINE FOR THE DISPENSING OF ESPRESSO COFFEE

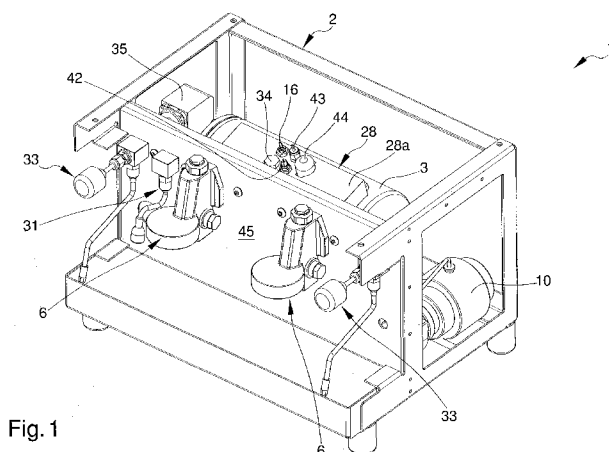


Fig. 1

(57) **Abstract:** The machine (1) for the dispensing of espresso coffee comprises: at least a boiler (3), associable with a bearing structure (2), for the containment and heating of water, at least a container (4) suitable for containing water for the dispensing of coffee, at least an inlet hydraulic circuit (5) suitable for connecting the boiler (3) and the container (4) to a water feeding line, at least a coffee dispensing unit (6), at least an outlet hydraulic circuit (7) suitable for connecting at least the container (4) to the coffee dispensing unit (6) and where the outlet hydraulic circuit (7) comprises at least a one-piece outlet block (28) placed between the boiler (3) and the coffee dispensing unit (6) and in which are predefined at least a water dispensing channel (29), communicating at one extremity with the container (4) and at the other extremity with the coffee dispensing unit (6), and at least one between at least a hot water delivery channel (30), communicating at one extremity with the boiler (3) and at the other extremity with a hot water dispensing unit (31), and at least a steam emission channel (32), communicating at one extremity with the boiler (3) and at the other extremity with a steam dispensing unit (33).



INTERNATIONAL SEARCH REPORT

| |
|--|
| International application No PCT/IB2012/001534 |
|--|

| | | |
|--|--|-----------------------|
| A. CLASSIFICATION OF SUBJECT MATTER INV. A47J31/46 ADD. | | |
| According to International Patent Classification (IPC) or to both national classification and IPC | | |
| B. FIELDS SEARCHED | | |
| Minimum documentation searched (classification system followed by classification symbols) A47J | | |
| Documentation searched other than minimum documentation to the extent that such documents are included in the fields searched | | |
| Electronic data base consulted during the international search (name of data base and, where practicable, search terms used) EPO-Internal, WPI Data | | |
| C. DOCUMENTS CONSIDERED TO BE RELEVANT | | |
| Category* | Citation of document, with indication, where appropriate, of the relevant passages | Relevant to claim No. |
| X | US 2004/000237 A1 (WU TSAN-KUEN [TW]) 1 January 2004 (2004-01-01) the whole document ----- | 1-8 |
| X | US 2011/174162 A1 (ULLMANN ERICH [CH] ET AL) 21 July 2011 (2011-07-21) paragraph [0055]; claims; figures ----- | 1-8 |
| X | US 2004/177760 A1 (EICHER HEINZ [CH]) 16 September 2004 (2004-09-16) paragraph [0025]; claims; figures ----- | 1-8 |
| <input type="checkbox"/> Further documents are listed in the continuation of Box C. <input checked="" type="checkbox"/> See patent family annex. | | |
| * Special categories of cited documents : | | |
| "A" document defining the general state of the art which is not considered to be of particular relevance "E" earlier application or patent but published on or after the international filing date "L" document which may throw doubts on priority claim(s) or which is cited to establish the publication date of another citation or other special reason (as specified) "O" document referring to an oral disclosure, use, exhibition or other means "P" document published prior to the international filing date but later than the priority date claimed | "T" later document published after the international filing date or priority date and not in conflict with the application but cited to understand the principle or theory underlying the invention "X" document of particular relevance; the claimed invention cannot be considered novel or cannot be considered to involve an inventive step when the document is taken alone "Y" document of particular relevance; the claimed invention cannot be considered to involve an inventive step when the document is combined with one or more other such documents, such combination being obvious to a person skilled in the art "&" document member of the same patent family | |
| Date of the actual completion of the international search | Date of mailing of the international search report | |
| 28 January 2013 | 04/02/2013 | |
| Name and mailing address of the ISA/ European Patent Office, P.B. 5818 Patentlaan 2 NL - 2280 HV Rijswijk Tel. (+31-70) 340-2040, Fax: (+31-70) 340-3016 | Authorized officer Acerbis, Giorgio | |

INTERNATIONAL SEARCH REPORT

Information on patent family members

| |
|---|
| International application No PCT/IB2012/001534 |
|---|

| Patent document cited in search report | A1 | Publication date | Patent family member(s) | Publication date |
|--|----|------------------|-------------------------|------------------|
| US 2004000237 | A1 | 01-01-2004 | NONE | |
| ----- | | | | |
| US 2011174162 | A1 | 21-07-2011 | AU 2010257223 A1 | 04-08-2011 |
| | | | CA 2726902 A1 | 19-07-2011 |
| | | | DK 2345354 T3 | 15-10-2012 |
| | | | EP 2345354 A1 | 20-07-2011 |
| | | | HK 1154338 A1 | 07-12-2012 |
| | | | PT 2345354 E | 16-10-2012 |
| | | | RU 2010151381 A | 20-06-2012 |
| | | | US 2011174162 A1 | 21-07-2011 |
| ----- | | | | |
| US 2004177760 | A1 | 16-09-2004 | DE 20217068 U1 | 18-03-2004 |
| | | | EP 1415580 A1 | 06-05-2004 |
| | | | ES 2235137 T3 | 01-07-2005 |
| | | | US 2004177760 A1 | 16-09-2004 |
| ----- | | | | |