

(19) World Intellectual Property Organization  
International Bureau



(43) International Publication Date  
29 April 2010 (29.04.2010)

(10) International Publication Number  
**WO 2010/046863 A1**

- (51) **International Patent Classification:**  
*E21B 10/46* (2006.01)      *E21B 10/573* (2006.01)
- (21) **International Application Number:**  
PCT/IB2009/054649
- (22) **International Filing Date:**  
21 October 2009 (21.10.2009)
- (25) **Filing Language:** English
- (26) **Publication Language:** English
- (30) **Priority Data:**  
0819257.7      21 October 2008 (21.10.2008)      GB
- (71) **Applicants (for all designated States except US):** **ELEMENT SIX (PRODUCTION) (PTY) LTD** [ZA/ZA]; Debid Road, Nuffield, 1559 Springs (ZA). **BAKER HUGHES INCORPORATED** [US/US]; 2929 Allen Parkway, Suite 2100, Houston, TX 77019-2118 (US).
- (72) **Inventors; and**
- (75) **Inventors/Applicants (for US only):** **JONKER, Cornelis, Roelof** [ZA/ZA]; Debid Road, Nuffield, 1559 Springs (ZA). **NILEN, Roger, William, Nigel** [ZA/ZA]; Debid Road, Nuffield, 1559 Springs (ZA). **DIGIOVANNI, Anthony, Albert** [US/US]; 2211 Austin Street, Houston, TX 77002 (US).
- (74) **Agents:** **SPOOR & FISHER** et al.; P O Box 454, 0001 Pretoria (ZA).
- (81) **Designated States (unless otherwise indicated, for every kind of national protection available):** AE, AG, AL, AM,

AO, AT, AU, AZ, BA, BB, BG, BH, BR, BW, BY, BZ, CA, CH, CL, CN, CO, CR, CU, CZ, DE, DK, DM, DO, DZ, EC, EE, EG, ES, FI, GB, GD, GE, GH, GM, GT, HN, HR, HU, ID, IL, IN, IS, JP, KE, KG, KM, KN, KP, KR, KZ, LA, LC, LK, LR, LS, LT, LU, LY, MA, MD, ME, MG, MK, MN, MW, MX, MY, MZ, NA, NG, NI, NO, NZ, OM, PE, PG, PH, PL, PT, RO, RS, RU, SC, SD, SE, SG, SK, SL, SM, ST, SV, SY, TJ, TM, TN, TR, TT, TZ, UA, UG, US, UZ, VC, VN, ZA, ZM, ZW.

(84) **Designated States (unless otherwise indicated, for every kind of regional protection available):** ARIPO (BW, GH, GM, KE, LS, MW, MZ, NA, SD, SL, SZ, TZ, UG, ZM, ZW), Eurasian (AM, AZ, BY, KG, KZ, MD, RU, TJ, TM), European (AT, BE, BG, CH, CY, CZ, DE, DK, EE, ES, FI, FR, GB, GR, HR, HU, IE, IS, IT, LT, LU, LV, MC, MK, MT, NL, NO, PL, PT, RO, SE, SI, SK, SM, TR), OAPI (BF, BJ, CF, CG, CI, CM, GA, GN, GQ, GW, ML, MR, NE, SN, TD, TG).

**Declarations under Rule 4.17:**

— as to applicant's entitlement to apply for and be granted a patent (Rule 4.17(ii))

**Published:**

- with international search report (Art. 21(3))
- before the expiration of the time limit for amending the claims and to be republished in the event of receipt of amendments (Rule 48.2(h))

(54) **Title:** INSERT FOR AN ATTACK TOOL, METHOD FOR MAKING SAME AND TOOLS INCORPORATING SAME

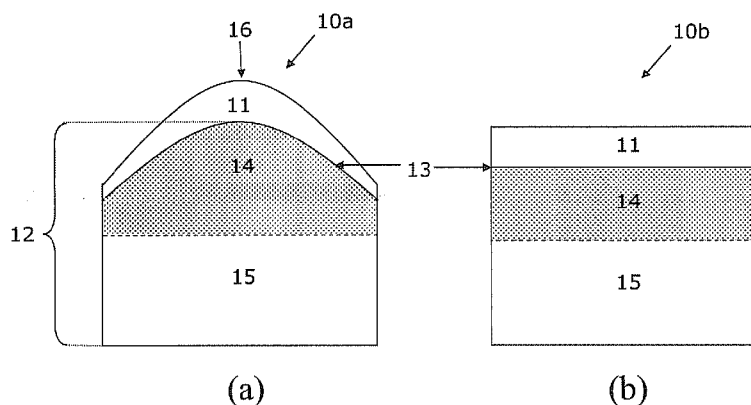


FIG. 1

(57) **Abstract:** The invention relates to an insert for an attack tool, the insert comprising a super-hard cap having a volume and bonded to a substrate at an interface, the super-hard cap having an average Young's modulus of greater than 900 GPa and the substrate characterised in that it comprises a reinforcing bolster portion as a means for stiffening a region of the substrate proximate the interface, the reinforcing bolster portion having an aggregate volume that is greater than that of the super-hard cap and an average Young's modulus at least 60% that of the super-hard cap. The invention further relates to a method for manufacturing such an insert and a method for using such an insert.

WO 2010/046863 A1

## **INSERT FOR AN ATTACK TOOL, METHOD FOR MAKING SAME AND TOOLS INCORPORATING SAME**

### **FIELD**

The invention relates to super-hard capped inserts for use in attack tools and cutters, a method for making same and tools incorporating same, particularly tools such as picks, percussive drilling bits and rotary drilling bits, as may be used in the mining, tunnelling, road construction and oil and gas drilling industries to process or degrade pavements or rock formations, or to bore into the earth.

### **BACKGROUND**

Boring into the earth is an important activity in many industries, such as mining, oil and gas drilling, prospecting and tunnel construction. A wide variety of methods and various different types of bits are available for this purpose. Earth boring typically requires rock to be broken in either or both of two principal modes, namely shear cutting or crushing, both of which methods are effected by means of rock-engaging hard inserts of some kind that are

mounted onto drill bit. Shear cutting involves inserts removing rock material by cutting into it and shearing off material. Crushing involves inserts repeatedly impacting on the rock and crushing it. Percussion drilling is an example of the latter and is widely used in mining and construction, to drill bore holes and blast holes, for example. . In soft rock mining and pavement degradation, pick-like attack tools or picks may be used to break rock, concrete or asphalt.

Polycrystalline diamond (PCD) is a super-hard material comprising a mass of inter-grown diamond grains and interstices between the diamond grains. PCD is typically made by subjecting an aggregated mass of diamond grains to an ultra-high pressure and temperature. Material wholly or partly filling the interstices may be referred to as filler or binder material. PCD is typically formed in the presence of a sintering aid such as cobalt, which promotes the inter-growth of diamond grains. The sintering aid is commonly referred to as a solvent / catalyst material for diamond, owing to its function of dissolving diamond to some extent and catalysing its re-precipitation. Consequently the interstices within the sintered PCD product are wholly or partially filled with residual solvent / catalyst material. Most typically, PCD is often formed on a cobalt-cemented tungsten carbide substrate, which provides a source of cobalt solvent / catalyst for the PCD. PCD is used in a wide variety of tools for cutting, machining, drilling or degrading hard or abrasive materials such as rock, metal, ceramics, composites and wood-containing materials. For example, PCD inserts are widely used within drill bits used for boring into the earth in the oil and gas drilling industry.

Delwiche *et al.* (*Petroleum Division*, v 40, and *Drilling Technology* 1992, 1992, p 51-60, American Society of Mechanical Engineers) disclose PCD inserts for oil and gas drilling, wherein a PCD layer is secured to a substrate comprising a diamond-impregnated, or "impreg", back-up component. It is apparent from the diagrams and photographs that the diamond grains are coarse and sparsely distributed.

European patent number 0 235 455 discloses an insert for a rock bit comprising a pre-cemented tungsten carbide body having a cylindrical grip length extending along a major portion of the insert. The reference teaches a progressive decrease in the modulus of elasticity through transition layers from an outer ultra-hard diamond layer to the carbide body, in order to reduce spalling.

United States patent number 4,811,801 discloses a rock bit insert including a polycrystalline diamond surface on an insert body having a head portion made from a material with elasticity and thermal expansion properties advantageously tailored for use in three types of rock bits, as well as the three types of rock bits made with such inserts.

United States patent number 5,304,342 discusses that for a given application, it is desirable to provide the stiffest possible WC-Co cemented carbide substrate, that is, one with a high modulus of elasticity, thereby minimizing the deflection of the PCD layers and reducing the likelihood of PCD failure. However, if the modulus of elasticity is too high, the inserts are prone to break off during drilling.

United States patent number 6,258,139 discloses a PDC (polycrystalline diamond compact) with an internal diamond core in the substrate, to provide additional diamond for exposure when the substrate is sufficiently eroded. Also disclosed is a PDC with an internal carbide core, which is entirely enclosed by the diamond region of the PDC cutter, to avoid high tensile stresses in the diamond region.

There is a need to minimise the thickness of super-hard material in attack tool inserts and consequently their costs while achieving high impact resistance. This is especially important for rock or pavement degradation or drilling applications.

## SUMMARY

According to a first aspect of the invention there is provided an insert for an attack tool, the insert comprising a super-hard cap having a volume and bonded to a substrate at an interface, the super-hard cap having an average Young's modulus of greater than 900 GPa and preferably greater than 960 GPa; the substrate characterised in that it comprises a reinforcing bolster portion as a means for stiffening a region of the substrate proximate the interface, the reinforcing bolster portion having an aggregate volume that is greater than that of the super-hard cap and an average Young's modulus at least 60% that of the super-hard cap.

The reinforcing bolster portion may be disposed adjacent (proximate) the interface.

In some embodiments, the reinforcing bolster portion may have an aggregate volume that is at least a factor of three times greater, preferably five times greater, and more preferably ten times greater than that of the super-hard cap.

In some embodiments, the reinforcing bolster portion may have an average Young's modulus of at least 60% that of the super-hard cap, more preferably 70%, yet even more preferably 80% and yet more preferably 90%. In one embodiment, the average Young's modulus of the reinforcing bolster portion is in the range of about 60% to 80% that of the super-hard cap.

In one embodiment, the reinforcing bolster portion may comprise super-hard material, typically in granular or particulate form. Preferably, the reinforcing bolster portion comprises diamond or cBN, and more preferably it comprises diamond. In one embodiment, the reinforcing bolster portion may comprise PCD.

In one embodiment, the reinforcing bolster portion may comprise tungsten carbide, or it may comprise tungsten carbide and diamond.

Preferably, the reinforcing bolster portion comprises grains of a super-hard material dispersed within a binder metal, such as cobalt. Preferably, the average size of the super-hard grains is at least about 15 microns, more preferably at least about 20 microns, more preferably at least about 70 microns, even more preferably at least about 150 microns, and yet more preferably at least about 200 microns. Use of coarser super-hard grains may have the effect of increasing the stiffness of the reinforcing bolster portion, all else being equal.

The size range of the super-hard grains included in the bolster portion may be large. For example, the size range of the super-hard grains may be from about 1 micron to about 500 microns. The size range of the super-hard grains included in the bolster portion may be formed of more than one size distribution, and more than one "modal" peak may be evident within the overall size distribution of the super-hard grains. At least one of the modes may have an average size distribution of greater than about 50 microns.

The size distribution of unbonded or free-flowing diamond grains is measured by means of a laser diffraction method, wherein the grains are suspended in a fluid medium and an optical diffraction pattern is obtained by directing a laser beam at the suspension. The diffraction pattern is interpreted by computer software and the size distribution is expressed in terms of equivalent circle diameter. In effect, the grains are treated as being spherical and the size distribution is expressed in terms of a distribution of equivalent diameters of spheres. A Mastersizer™ apparatus from Malvern Instruments Ltd, United Kingdom, may be used for his purpose.

A multi-modal size distribution of a mass of grains is understood to mean that the grains have a size distribution that is formed of more than one peak, each peak corresponding to a respective "mode". Multimodal polycrystalline bodies are typically made by providing more than one source of a plurality of grains, each source comprising grains having a substantially different mean size, and blending together the grains from the sources. Measurement of the size

distribution of the blended grains typically reveals distinct peaks corresponding to distinct modes. When the grains are sintered together to form the polycrystalline body, their size distribution is further altered as the grains are compacted against one another and fractured, resulting in the overall decrease in the sizes of the grains. Nevertheless, the multimodality of the grains is usually still clearly evident from image analysis of the sintered article.

In order to obtain a measure of the sizes of diamond grains within PCD, a method known as "equivalent circle diameter" is used. In this method, a scanning electron micrograph (SEM) image of a polished surface of the PCD material is used. The magnification and contrast should be sufficient for at least several hundred diamond grains to be identified within the image. The diamond grains can be distinguished from metallic phases in the image a circle equivalent in size for each individual diamond grain can be determined by means of conventional image analysis software. The collected distribution of these circles is then evaluated statistically. Wherever diamond mean grain size within PCD material is referred to herein, it is understood that this refers to the mean equivalent circle diameter.

In one embodiment of this aspect to the invention, the super-hard cap may be bonded to the reinforcing bolster portion at a first interface, the substrate comprising a reinforcing bolster portion at one end and support portion at an opposing end, the reinforcing bolster portion being bonded to the support portion at a second interface. Preferably the first interface is non-planar. Preferably the second interface is substantially planar. Where a support portion is present, the assembly of the support portion and the reinforcing bolster portion is referred to as the substrate portion of the insert. Where there is no support portion, the substrate may consist of the reinforcing bolster portion alone.

In one embodiment, the reinforcing bolster portion comprises metal or metal alloy-cemented metal carbide and diamond in granular or particulate form, whereas the support portion of, if present, is substantially devoid of diamond.

In other words, the bolster comprises diamond-enhanced carbide (DEC) material. Preferably the diamond grains are dispersed substantially homogeneously throughout the reinforcing bolster portion. The diamond grains within the reinforcing bolster portion may have an average size of at least 200 microns.

In one embodiment, the reinforcing bolster portion may be in the form of a frustum or a core that is fully or partially embedded within the substrate.

Preferably the super-hard cap, reinforcing bolster portion and the rest of the substrate (i.e. the support portion) are integrally formed and bonded at conditions under which diamond is thermodynamically stable.

Preferably the average Young's modulus of the super-hard cap is greater than 1000 GPa.

Preferably, the super-hard cap comprises polycrystalline diamond (PCD).

In one embodiment, the super-hard cap comprises PCD, at least one portion of which may be substantially free of solvent / catalyst material for diamond. Preferably the at least one portion is adjacent a working surface of the super-hard cap and remote from the interface with the substrate. In one embodiment, the at least one region may be porous. In certain applications, such as earth boring or rock drilling, such embodiments may improve the thermal stability and the performance of the insert.

In some embodiments, the Young's modulus of the reinforcing bolster portion is at least about 650 GPa or at least about 675 GPa. In some embodiments, the Young's modulus of the reinforcing bolster portion is at most about 900 GPa or at most about 850 GPa. In some embodiments, the Young's modulus of the reinforcing bolster portion is in the range from about 650 GPa to about 900 GPa, or in the range from about 675 GPa to about 850 GPa.

In embodiments where the super-hard cap has average Young's modulus of greater than about 1,000 GPa, it may be beneficial for the reinforcing bolster portion to comprise a super-hard material of another type, grade and Young's modulus, such as PCD or PCBN,.

Preferably the reinforcing bolster portion comprises refractory metal carbide grains, the metal being selected from W, Ti, Ta, Nb, Mo, Cr, Hf, Zr, and Si more preferably the metal being selected from W, Si or Ti, the grains being held together by means of a binder metal or alloy, which preferably comprises Co.

Preferably the reinforcing bolster portion comprises an iron group metal selected from Co, Fe, Mn and Ni, more preferably Co. When the super-hard cap comprises diamond, most preferably a portion of the reinforcing bolster portion proximate the first interface with the cap comprises Co.

Preferably both the reinforcing bolster portion and the support portion comprise metal carbide grains, the metal being selected from W, Ti, Ta, Nb, Mo, Cr, Hf, Zr, Si more preferably the metal being selected from W, Si or Ti, the grains being held together by means of a binder metal or alloy, which preferably comprises Co. The reinforcing bolster portion may comprise more than one type of carbide. Preferably the average mass percentage of Co within the reinforcing bolster portion is lower than that within the support portion.

In some embodiments the bolster portion may be substantially devoid of diamond or it may contain diamond and the cobalt content may be at most 10 wt%, at most 8 wt%, or even at most 6wt%. In some embodiments the cobalt content in a cemented carbide bolster portion may be at least 3wt% or at least 4wt%.

Preferably the reinforcing bolster portion comprises refractory metal carbide grains, the metal being selected from W, Ti, Ta, Nb, Mo, Cr, Hf, Zr, and Si more preferably the metal being selected from W, Si and Ti, and a super-hard

material, preferably diamond, typically in particulate or granular form, the grains being held together by means of a binder metal or alloy, which preferably comprises Co. The reinforcing bolster portion may comprise more than one type of carbide.

In some embodiments the reinforcing bolster portion may comprise one or more than one different types of materials or composites. More specifically, it may comprise more than one layer of different types of materials or composites, the interfaces between the layers being sharp or diffuse, and typically having a portion that may be generally conformal with the interface between the reinforcing bolster portion and the super-hard tip or cap.

In one embodiment, the reinforcing bolster portion is more abrasion resistant than the support portion of the substrate and has an exposed surface, which may function as a wear resistant surface which reduces the rate of wear of the insert.

In one embodiment, the reinforcing bolster portion extends throughout substantially the whole volume of the substrate.

In some embodiments, the reinforcing bolster portion may comprise one or more than one different type of material or composite and there may be a distinct interface between the reinforcing bolster portion and the support portion, or it may be indiscernible, graded or diffuse.

This aspect of the invention may be advantageous for use in tools used to degrade or break materials, especially rock, concrete, asphalt and the like, by means involving repeated impact, such as may be the case for pick tool inserts and percussion drilling inserts, but may also provide significant benefits for tools using shear-type cutters and rotary drilling bits.

The invention may be of particular benefit where the super-hard cap comprises PCD with Young's modulus greater than about 960, or greater than 1,000 GPa, as may typically be used in the degradation, drilling, processing or

excavation of rock, concrete and asphalt, for example in the oil and gas drilling, mining and construction (tunnelling) industries. It may be of particular benefit in applications where the PCD or other super-hard capped insert is caused to impact a hard body or formation in use, such as in percussive drilling, mining pick assemblies and road planing, degradation or recycling.

In some embodiments, the super-hard cap has a rounded or blunted conical form with an apex, the axial thickness of the super-hard cap at the apex being in the range of 1.14 to 2.4 mm, more preferably 1.4 to 2.3 mm. In some embodiments, the axial thickness of the super-hard cap at the apex may be at least about 0.1 mm, at least about 0.2 mm, at least about 0.5 mm or even at least 1 mm. In some embodiments the thickness may be at most 2.4 mm, or even at most 2.3 mm. Axial thickness refers to the thickness measured from the interface, aligned with central axis of the insert.

In some embodiments, the apex may have a radius of curvature of at least 0.5 mm or at least 1.3 mm. In some embodiments, the apex may have a radius of curvature of at most 4 mm. Preferably the apex has a radius of curvature in the range of 0.5 to 4 mm, more preferably 1.3 to 4 mm.

According to a second aspect of the invention there is provided a method for manufacturing an insert for an attack tool, the method including providing a pre-form for a reinforcing bolster portion, a pre-form for a support portion and a pre-form for a PCD cap, assembling and contacting the pre-forms in a desired configuration to form a pre-form assembly and subjecting the pre-form assembly to ultra-high pressure and temperature conditions at which diamond is thermodynamically stable.

Preferably, the method of making the reinforcing bolster portion pre-form of includes the steps of:

- introducing diamond grains into the starting powders of a hard-metal, which typically includes grains of refractory metal carbide, to form a starting powder blend;

- forming the starting powder blend by means of compaction in a mold to form a green compact;
- sintering the green compact at a temperature of greater than about 1,000 deg.C, more preferably greater than 1,200 deg.C and at an applied pressure of less than about 1 GPa in order produce the reinforcing bolster portion pre-form.

When this method is used, it has unexpectedly been observed that the Young's modulus of the reinforcing bolster portion depends not only on the absolute content of incorporated diamond grains as one might expect from the formulae known in the art, but also on the average size of the diamond grains blended into the powder and consequently incorporated within the bolster green body. In particular, it has been observed that the Young's modulus may tend to be higher where the diamond grains are larger. For example, diamond-enhanced carbide with 7.5 wt% dispersed diamond grains of average size approximately 70 microns had a Young's modulus of about 660 GPa compared to about 580 GPa for a similar article comprising the same diamond content, but wherein the average size of the diamond grains was about 2 microns.

According to a third aspect of the invention there is provided a method for using an insert according to the first aspect of the invention to degrade or break bodies, articles or formations comprising hard materials selected from the group comprising rock, concrete and asphalt, the method including a step of causing the super-hard cap to impact the body, article or formation

## **DRAWING CAPTIONS**

Embodiments will be described by way of non-limiting examples, and with reference to the accompanying drawings in which:

**Figures 1(a) and (b)** show a schematic diagram of a cross-section of two different shaped attack tool inserts. This embodiment of the present invention comprises a super-hard cap, a support portion and a reinforcing bolster portion disposed intermediate the cap and the support portion. The working portion of the insert, the outmost portion of which is the super-hard tip, has a blunted conical form with an apex. The reinforcing bolster portion at one end is bonded to the underside of the cap at a non-planar interface that is generally conformal with the working surface of the cap, and to the support portion at a substantially planar interface at an opposing end. The reinforcing bolster portion is exposed at an outer cylindrical peripheral surface of the substrate.

**Figures 2(a) and (b)** show a schematic diagram of a cross-section two different shaped attack tool inserts. This embodiment comprises a super-hard cap, a support portion and a reinforcing bolster portion embedded within the body of the substrate. The working portion of the insert, the outmost portion thereof is the super-hard tip, has a blunted conical form with an apex.

**Figure 3** shows a drawing of an attack tool insert, shown partially in cross-section. This embodiment comprises a super-hard cap, a support portion and a reinforcing bolster portion disposed intermediate the cap and the support portion. The working portion of the insert, the outmost portion of which is the super-hard tip, has a blunted conical form with an apex. The reinforcing bolster portion at one end is bonded to the underside of the cap at a non-planar interface that is generally conformal with the working surface of the cap, and to the support portion at a substantially planar interface at an opposing end.

**Figure 4** shows a graph indicating range of suitable average Young's modulus values for a reinforcing bolster portion as a function of that of the super-hard cap between 750 and 1,100 GPa. The range of Young's moduli of PCD grades typically used in oil and gas drilling, i.e. about 960 GPa to about 1,050, is pointed out. The ranges of Young's moduli of Co-cemented tungsten carbide grades typically used as substrates for PCD inserts and low-

cobalt grades, as well as the reported ranges for cemented carbide grades enhanced with super-hard grains dispersed within them are also shown.

**Figure 5** shows the grain size distribution of PCD with a so-called quad-modal size distribution, measured within a fully sintered PCD article. The size distribution can be resolved into at least four distinct substantially normal or skew-normal distributions, with more than 80% of the diamond grains having grain size less than about 20 microns. The overall average diamond grain size is within the range 1 to 15 microns and there is a major peak between about 5 and 10 microns.

**Figure 6(a)** shows a scanning electron micrograph (SEM) of a sample of a pre-form of a preferred reinforcing bolster portion embodiment, comprising WC grains and partially reconverted diamond grains, bonded by means of cobalt binder. The diamond grains comprise diamond cores (black) surrounded by graphite (dark grey) that formed during a heat treatment process as the outer portions of the original, larger diamond grains converted to graphite. The size of the diamond grains is of the order of 100 to 200 microns. The white portion of the micrograph is the hard metal matrix (i.e. WC grains cemented with Co metallic binder)

**Figure 6(b)** shows a scanning electron micrograph (SEM) of a sample of a preferred reinforcing bolster portion embodiment. The sample was prepared by subjecting the pre-form of figure 6(a) to ultra-high pressure and temperature conditions at which diamond is thermodynamically stable. The diamond grain cores (black) visible in the pre-form are still apparent, but the graphite that surrounded the cores in the pre-form has reconverted to diamond (black). A major portion of the reconverted diamond in the micrographs has a general appearance of halos of finer grains surrounding the cores. The average size of the diamond cores is at least an order of magnitude greater than that of the diamond grains arising from reversion.

## SPECIFIC DESCRIPTION

The term "super-hard material" as used herein is taken to mean materials with Vickers hardness greater than about 25GPa. Such materials include diamond, cubic boron nitride, boron sub-oxide, boron carbide, polycrystalline diamond (PCD), polycrystalline cubic boron nitride (PCBN) and silicon carbide-bonded diamond (ScD).

The term "PCBN" as used herein is taken to mean polycrystalline cubic boron nitride, which typically comprises grains of cubic boron nitride dispersed within a binder phase comprising metallic and / or ceramic phases.

The term "PCD" as used herein is taken to mean materials comprising sintered diamond in particulate or granular form, there being substantial direct bonding between the diamond particles.

The term "diamond-enhanced carbide", or DEC, as used herein is taken to mean compacts comprising diamond and a carbide phase, typically in particulate or granular form, typically dispersed within a cementing or binding phase.

The term "attack tool" is understood to mean a tool or tool insert that is used to degrade or break material, such as rock, concrete, asphalt and the like, which may be typically used in milling, mining, earth boring, degradation and excavation applications. Attack tools are typically designed to be as wear-resistant and impact-resistant as possible, although the respective relative importance of these properties would depend on the application. Attack tools include picks, cutters, percussion drilling tools and rotary drilling tools.

The term "pick tool" is understood to mean an attack tool that is adapted to break or degrade a body by a major mechanism involving a degree of penetration into the body, or at least fracture and chipping of the body. The working ends of pick tools are typically pointed or chisel-shaped.

The term "tool insert" as used herein is taken to mean a component comprising a working portion, and is provided as a discrete unit that is adapted to be connected, attached or otherwise secured to a tool or other carrier in some way. It is not taken to imply or suggest a particular mode of connection or attachment, such as insertion into an accommodating recess.

The term "metallic alloy", or more simply "alloy", is understood to mean a material that comprises at least one metal and has a metallic, semi-metallic or inter-metallic character. It may additionally comprise a ceramic component.

The term "cap" as in "super-hard cap" shall be taken to include a substantially rigid at ambient conditions (i.e. non-compliant or stiff) outer layer or tip attached or bonded to a body, typically at one end of a tool insert in order, for example, to protect it from wear or to function as the principal working portion of the tool insert. A cap need not be homogeneous in structure and composition, and may, for example, comprise layers of structurally different materials.

A preferred embodiment of an attack tool insert, 10, of the invention shown in FIG 1 comprises a super-hard cap, 11, having a volume and bonded to a substrate, 12, at an interface, 13, the substrate characterised in that it comprises a first reinforcing bolster portion, 14, as a means for increasing the average stiffness of a region of the substrate proximate the interface, at least part of the reinforcing bolster portion being disposed proximate at least a portion of the interface and having a contiguous volume that is greater than that of the super-hard cap and an average Young's modulus at least 80% that of the super-hard cap. In the embodiment illustrated in FIG 1, the reinforcing bolster portion is a single contiguous region extending substantially from a first interface proximate the PCD cap to a second interface with a second supporting portion, 15, of the substrate, which together with the reinforcing bolster portion forms the whole substrate, the second interface being substantially remote from the first interface and an outer surface of the reinforcing bolster portion being exposed at a peripheral outer surface of the

substrate. The insert has a working end that has a pointed or chisel-like form with a crest or apex, 16.

In FIG 2, the reinforcing bolster portion, 24, of an embodiment of an attack tool insert, 20, comprises a material, 26, with a Young's modulus greater than that of the support portion of the substrate, 25, that material being embedded within the substrate body. The volume of the reinforcing bolster portion, 24, does not necessarily coincide with that of the embedded material. The volume of the reinforcing bolster portion is calculated as the greatest volume within the substrate that may be enclosed such that the average Young's modulus is at least 60% that of the super-hard cap, more preferably 70%, and yet more preferably 80%. FIG 2 illustrates how one may select a suitable material for the reinforcing bolster portion depending on the type, grade and consequently the Young's modulus of the super-hard cap material.

It is essential that the reinforcing bolster portion has high stiffness, which is an extensive property that depends not only on the elastic or Young's modulus, but also on its volume and shape. The reinforcing bolster portion of the invention is distinguished over so-called "inter-layers of the prior art in that inter-layers, which typically comprise grains of carbide and diamond bonded together by a metallic matrix, are relatively thin layers disposed intermediate an ultra-hard cap and the underlying cemented carbide substrate. The inter-layers are believed to reduce stress at the interface between the cap and the substrate, especially thermally-induced stress that may occur on cooling the insert product after hphT sintering. While known inter-layers may have relatively high Young's modulus, their volume is typically too small to provide sufficient stiffness and support for the ultra-hard cap in use. The volume of the reinforcing bolster portion of this invention should be at least two, preferably three and preferably more than three times that of the ultra-hard cap. It must also have an average Young's modulus at least 80% that of the ultra-hard cap, preferably more than 80%.

It will be appreciated that the reinforcing bolster portion may comprise a super-hard material other than diamond or be devoid of diamond or other super-hard material.

In a first preferred embodiment illustrated schematically in FIG 3, the super-hard cap, 31, comprises PCD as the major if not the whole portion, the PCD cap having an average Young's modulus in the range 750 to 850 GPa, i.e. as high as possible. The super-hard cap has a rounded converging or pointed form and an apex, 36, that has a tip radius of curvature in the range of 1.3 to 4 mm and thickness, 37, in the range 1.8 to 2.3 mm. The super-hard cap is integrally formed and bonded to the substrate, 32, at a first, non-planar interface, 33, at conditions under which diamond is thermodynamically stable. The super-hard cap is bonded to the reinforcing bolster portion, 34, of the substrate at the first interface and the reinforcing bolster portion, 34, is bonded to the support portion, 35, at a second interface, a portion of which may be substantially planar.

The reinforcing bolster portion comprises diamond-enhanced carbide (DEC). There are many types of DEC materials and many methods of making them that are well known in the art and can be used, either as taught or adapted, for the reinforcing bolster portion of this embodiment. Examples of prior art include US patent numbers 4,505,746 and US5,453,105 which teach methods for making composites comprising diamond particles, a hard phase (for example WC) and a binder phase metal (for example Co). In US patent number 5,453,105, the diamond content within the DEC is greater than 50 volume % and intergrown to a degree. HphT sintering is employed in US patent number 5,786,075 that describes the synthesis of DEC for heat sink applications. US patent number 7,033,408 similarly relies on hphT sintering of DEC synthesis, but also teaches that wear resistance may be further improved by including a second metal within the binder, where the second metal is a stronger carbide former than the primary binder metal. US patent number 5,158,148 teaches an approach in which excess non-diamond carbon is added to a carbide powder such that the overall carbon content of the final powder mix is above the stoichiometric level of the carbide powder. The

mixture of powders, in the presence of a metallic binder phase, is subjected to a conventional carbide sintering process, and the resulting sintered article contains agglomerates of non-diamond carbon material. This sintered article is subsequently subjected to a second sintering cycle, under hphT conditions, which results in the conversion of the non-diamond carbon into diamond. The final product comprises carbide and diamond particles cemented by a metallic binder, and little or no non-diamond carbon phases. US patent number 6,214,079 teaches the chemical infiltration of a carbonaceous gas into a sintered, but porous, carbide body which is subsequently subjected to an hphT sintering cycle. As in US patent number 5,158,148, the non-diamond carbon is converted into diamond during this cycle.

The sintering of DEC materials at pressure and temperature conditions below the diamond stability threshold requires methods for preventing or minimising the conversion of added diamond into non-diamond carbon. Since this process of diamond degradation is known to be accelerated by the presence of metals typically used as binders within DEC materials, one strategy is to coat the diamond particles with a barrier layer that prevents or reduces the area of contact between the diamond surfaces and the binder metal (for example US patent number 5,723,177, EP1,028,171 and US patent number 6,673,439). Another approach is to use a sintering method that requires the diamond within the compact to be held at high temperatures for a relatively short period, thereby minimising its conversion. This can be achieved using, for example, the so-called Field Assisted Sintering Techniques (FAST), of which Spark Plasma Sintering (SPS) is a well known example (for example EP1,028,171 and US patent number 5,889,219), as well as microwave sintering (for example US patent number 6,315,066).

In one version of the first preferred embodiment, the reinforcing bolster portion comprises what may be described generically as "supercarbide", which comprises super-hard grains or particles in crystalline or polycrystalline form, grains of tungsten carbide and a metallic binder such as cobalt. The grains of tungsten carbide may be pre-sintered, or sintered in situ, during the same step in which the PCD cap is sintered. The super-hard grains preferably

comprise diamond, although they may less preferably comprise cBN or PCBN. Variants of supercarbide and methods for their manufacture are disclosed in US patent numbers 5,453,105, 6,919,040 and 7,033,408, as well as certain of the references contained therein. Supercarbide is manufactured by a process that includes a step of subjecting a pre-form to ultra-high pressure and temperature conditions at which diamond is thermodynamically stable. Supercarbide typically has a substantially lower content of super-hard material than does PCD or PCBN, and typically less than about 10 to 18 wt.%, and consequently the superhard phase is much less inter-grown than in PCD. Supercarbide with a diamond phase is thus distinguished from PCD structurally and is significantly less hard and abrasion resistant than PCD. As shown in FIG. 4, supercarbide may have Young's modulus of greater than 800 GPa or even greater than 850 GPa.

In a second preferred embodiment, the reinforcing bolster portion may comprise a cemented carbide, preferably a cobalt-cemented tungsten carbide, with a low content of metallic binder, preferably less than 8 wt.%, more preferably less than 6 wt.% metallic binder, which may be substantially devoid of super-hard grains. This is preferably used in combination with preferred features of the first preferred embodiment.

In one embodiment method of manufacturing a product according to the invention, the super-hard cap is formed integrally with the reinforcing bolster portion and the support portion under ultra-high pressure and temperature (hphT) conditions well known in the art of PCD or PCBN manufacture. An attack tool insert pre-form comprising three sections is prepared, the first section being the support portion of the substrate, the second being a pre-form of the reinforcing bolster portion and the third being a pre-form of the PCD cap. The support and reinforcing bolster portions of the substrate are preferably pre-sintered by conventional carbide sintering means, either as separate entities or integrally. Where they are pre-sintered as separate articles, they may be bonded together during the hphT sintering step during which the PCD cap is formed by the sintering of diamond grains. The average size of the diamond grains within the PCD pre form is typically in the

range 0.5 to 60 microns. In one embodiment the average size is 0.5 to 20 microns. In another embodiment the portion of the substrate most proximate the interface with the PCD pre-form comprises cobalt or other iron-group metal, which is capable of infiltrating the PCD pre-form when molten under hphT conditions and catalyse the direct bonding of the diamond grains to form a coherently bonded PCD mass. The encapsulated pre-form would typically be subject to heat treatment to burn off binder and impurities, and introduced into a capsule assembly suitable for use in an hphT sintering apparatus and process.

The attack tool insert of the invention may be used in pavement degradation drums, percussion drilling bits, shear-type rotary drilling bits used in the oil and gas industry and cutting, sawing or milling tools for example. The geometrical form of the tool may be substantially the same as those of conventional super-hard inserts used in these applications and it would generally not be necessary to mount the inserts onto the tool holders substantially differently than conventional super-hard inserts, although some adaptation of the mounting process may be found to optimise performance in some cases.

## **EXAMPLES**

### **Example 1**

A set of seven pick tool inserts according to the design shown in FIG 4 was made. The super-hard cap, 31, was PCD and was bonded directly to and integrally with the reinforcing bolster portion, 34, of the substrate 32. The reinforcing bolster portion comprised diamond-enhanced carbide and the support portion, 35, of the substrate, 32, was cobalt-cemented tungsten carbide.

The PCD cap comprised sintered diamond grains having an average size distribution in the range 1 to 20 microns and having a multi-modal size distribution. This type of PCD grade and a method for making it is disclosed

in U.S. patent applications 10/503,323 and 11/712,067, using technology and methods well known in the art. The Young's modulus of the PCD was found to be within the range of 1030 to 1055 GPa. The thickness, 37, of the PCD cap at the apex or crest, 36, was about 2.2mm, and the radius of curvature of the rounded apex was about 2.0mm.

The reinforcing bolster portion comprised 9 wt.% diamond grains, 5.4 wt.% Co binder and 85.6 wt.% WC grains, the WC grains having an average size in the range 1 to 3 microns. The diamond grains were substantially homogeneously dispersed throughout the reinforcing bolster portion and had an average grain size with the range of about 200 to 250 microns. The Young's modulus of the reinforcing bolster portion was estimated to be about  $700 \pm 20$  GPa, which is within the range of about 64% to 70% that of the PCD cap. The reinforcing bolster portion was a contiguous region within the substrate and bonded to the PCD cap at a non-planar interface, and was exposed at a peripheral outer cylindrical surface of the substrate. The volume of the reinforcing bolster portion was approximately three to five times that of the PCD cap, thereby functioning as a stiff reinforcing support for the cap. The reinforcing bolster portion was bonded to the support portion of the substrate at a substantially planar interface.

The insert of the example was manufactured by subjecting pre-forms of the PCD cap, the reinforcing bolster portion and the support portion to conditions of hphT, at which diamond is thermodynamically stable. The three pre-forms were manufactured separately as three components, which were assembled and encapsulated within an enclosing sleeve of refractory metal prior to the hphT step. The PCD pre-form was disposed in contact with the reinforcing bolster portion pre-form at the non-planar interface, and the reinforcing bolster portion was disposed in contact with the support portion at the substantially planar interface. The pre-form assembly corresponded to the general form of the sintered article, shown schematically in FIG 3.

The reinforcing bolster portion pre-form was manufactured by a process including the steps of i) preparing the powders, ii) forming a solid green body, and iii) sintering the green body by means of a conventional hard-metal sintering method. The preparation of the starting powders involved blending diamond grains with average size in the range about 200 to 250 microns with WC grains with average size distribution in the range of about 1 to 3 microns and cobalt powder of the type and grade that may typically be used in the powder metallurgy industry to make cemented carbide materials. The respective proportions of diamond, WC and Co powder were about 9 wt.%, 85.6 wt.% and 5.4 wt.%. The powders were blended dry by means of a multidirectional (Turbula)(Registered Trade Mark (RTM)) mixer and an organic pressing aid was introduced into the blend. A green body was then formed by uniaxial compaction of the powders into form shown schematically in FIG. 3 at ambient (room) temperature. The green body was placed in a furnace and subjected to a conventional hard-metal sintering process, which involved heating to a temperature above 1400 deg.C for a period of about 2 hours in a vacuum. The sintered green body was removed from the furnace (after cooling). Examination of the body revealed that the outer portions of the diamond grains had converted to graphitic carbon, but that the inner portions or cores thereof had remained as diamond. The sintered green body was used as the bolster pre-form.

The support portion of the substrate was cobalt-cemented tungsten carbide comprising 90 wt.% WC grains and 10 wt.% Co binder, the WC grains having an average size in the range of 1 to 3 microns. The support portion was manufactured using a conventional method as is well known in the hard-metal art and in the art of preparing substrates for PCD inserts, such as earth boring inserts for the oil and gas industry.

The PCD cap pre-form comprised diamond grains bonded together by means of an organic binder. Various types of PCD pre-forms and methods of preparing them are known in the art, and the skilled person would know how to use and adapt these to put this invention into effect.

A composite pre-form comprising the PCD pre-form disposed in contact with the bolster pre-form at the pointed non-planar surface, and the reinforcing bolster portion was disposed in contact with the support portion. Thus assembled and mounted, the pre-form was subjected to a pressure greater than about 5.5 GPa and a temperature of about 1400 deg.C for about 10 minutes. These conditions were such that diamond was thermodynamically stable, resulting in the melting of the cobalt in the pre-form components, the sintering of the PCD and its integrally bonding with the reinforcing bolster portion. At the same time, the reinforcing bolster portion was integrally bonded and sintered with the support portion.

During the hPhT sintering step, the graphite surrounding the diamond cores within the bolster pre-form reconverted into diamond, albeit in a different form than that of the diamond introduced to the powders. The reconverted diamond was in granular form, the grain sizes being substantially less than that of the cores, and generally isotropically dispersed around the cores and forming a kind of concentric spherical halo. The reversion of graphite to diamond resulted in the volume of the reinforcing bolster portion being reduced by about 30%. It is important to take this shrinkage into account when preparing the reinforcing bolster portion pre-form, so that the desired shape and size of the reinforcing bolster portion may be achieved within the finish product. The extent of this volume shrinkage could be estimated by calculation, but a series of empirical "trial and error" steps was found to allow a more accurate prediction, since it is not easy to know accurately in advance what portion of the diamond grain volume will convert to graphite during the conventional sintering step.

After the hphT sintering step the jacketed insert was removed from the capsule and the jacket was removed by immersion in strong acid liquor, and the insert was processed to final finish and tolerances, as is known in the art.

Initial indications from field testing are that the inserts made according to this example may have significantly higher impact resistance and effective

working lives in asphalt degradation applications than PCD inserts of the prior art.

### **Example 2**

Example 1 was repeated, except that the diamond grains introduced into the powders of the reinforcing bolster portion had an average size in the range from about 10 to 50 microns.

Examination of the sintered reinforcing bolster portion green body after it was removed from the furnace (after cooling) revealed that substantially all of the diamond grains had converted to graphite. The sintered green body was used as the bolster pre-form.

### **Example 3**

In this example, shear cutter-type PCD-capped inserts were sintered onto substrates, where the whole of the substrate functioned as a bolster, having the necessary Young's modulus and stiffness. The working surfaces of these PCD inserts were substantially planar. The diamond-enhanced substrates were made using the method described in example 1 to make the diamond-enhanced reinforcing bolster portion, with diamond grains being introduced into the starting powders. The respective proportions of diamond, WC and Co powder were about 7.1 wt.%, 86.4 wt.% and 6.5 wt.%. The diamond grains had an average grain size in the range from about 60 to 80 microns, as measured by a Malvern Mastersizer (RTM). The diamond powder used was Element Six product PDA878 240/270.

The substrates were manufactured by a process including the following steps:

1. 62g of diamond powder, 56g of Co powder and 750g 13 wt% Co WC powder, which was supplied with ~2wt% PEG, was poured into a vessel of volume approximately 500ml;
2. Sufficient methanol to form a slurry was added;
3. The slurry was mixed;
4. The slurry was dried and broken down to soft agglomerates with mortar and pestle;

5. The dried powder was placed into a die and compacted to form a green body.
6. The green body was sintered in a conventional carbide sintering apparatus and pressure-temperature. After sintering, the substrates had a dull grey appearance due to the presence of graphite (by this stage, at least some of the diamond in the diamond-containing samples and completely converted into graphite); and
7. The substrate, which was substantially cylindrical in form, was then ground to the same outer diameter and height.

The enhanced substrate pre-forms were substituted for conventional, Co-cemented carbide substrates in the subsequent manufacture of PCD inserts. A PCD layer was integrally sintered onto each enhanced substrate using a conventional hphT approach. As is known in the art, this process involved disposing diamond PCD pre-form comprising diamond grains onto one end of the substrate to form a composite pre-form. The pre-forms were assembled into conventional PCD insert capsules used for hphT sintering, and the capsules were out-gassed using a standard process wherein air was evacuated from them, which were subsequently sealed. The capsules were subjected to a standard hphT sintering cycle used to manufacture PCD cutter inserts for rock drilling applications (i.e. at a pressure above about 5 GPa and a temperature greater than about 1400°C). During the hphT cycle, substantially all of the non-diamond carbon in the substrates converted into diamond, as in example 1.

#### **Example 4**

A shaped cutter insert with DEC bolster portion having a geometry as per FIG 3 was constructed. A diamond table (PCD) was compacted from granules with organic processing aids that were burned off prior to sintering. The diamond table layer thickness and shape was defined by compacting with appropriately shaped tooling.

The diamond compact was comprised of a diamond mix wherein the diamond particle size distribution was a broad multimodal with peaks in the range from about 10um to 45um. The total particle size range was from ~2um to 50um.

The diamond compact contained Co as admix but was primarily infiltrated with Co from the substrate and bolster portion to achieve sintering. The bolster portion was comprised of an admix of 1-6um WC particles with ~22um diamond particles and cobalt.

Volume ratios of WC:diamond were varied between 1:1 and 3:1. A higher Young's modulus is expected with 1:1 ratio.

Both the diamond and bolster portion compacts were compacted together during final stages of assembly to ensure a complete bond between the two layers. This also ensured good densification prior to removal of the organic processing aids.

A planar interface substrate was placed at the base of the bolster portion. This pre-sintered WC/Co composite acted as a firm base during high pressure sintering and also provided additional Co for infiltration and proper sintering of both the bolster portion and diamond table.

Although the foregoing description of consolidated superhard materials, production methods, and various applications of them contain many specifics, these should not be construed as limiting the scope of the present invention, but merely as providing illustrations of some exemplary embodiments. Similarly, other embodiments of the invention may be devised which do not depart from the spirit or scope of the present invention. The scope of the invention is, therefore, indicated and limited only by the appended claims and their legal equivalents, rather than by the foregoing description. All additions, deletions, and modifications to the invention, as disclosed herein, which fall within the meaning and scope of the claims are to be embraced.

**CLAIMS**

1. An insert for an attack tool, the insert comprising a super-hard cap having a volume and bonded to a substrate at an interface, the super-hard cap having an average Young's modulus of greater than 900 GPa and the substrate characterised in that it comprises a reinforcing bolster portion as a means for stiffening a region of the substrate proximate the interface, the reinforcing bolster portion having an aggregate volume that is greater than that of the super-hard cap and an average Young's modulus at least 60% that of the super-hard cap.
2. An insert according to claim 1 wherein the reinforcing bolster portion is disposed proximate the interface.
3. An insert according to claim 1 wherein the reinforcing bolster portion has an aggregate volume that is at least three times greater than that of the super-hard cap and an average Young's modulus of at least 70% that of the super-hard cap.
4. An insert according to any one of claims 1 to 3 wherein the reinforcing bolster portion comprises super-hard material.
5. An insert according to any one of claims 1 to 3 wherein the reinforcing bolster portion comprises grains of a super-hard material dispersed within a binder metal, such as cobalt, wherein the average size of the super-hard grains is greater than 50 microns.
6. An insert according to any one of claims 4 or 5 wherein the super-hard material comprises diamond.
7. An insert according to any one of claims 1 to 3 wherein the super-hard cap is bonded to the reinforcing bolster portion at a first interface and the

reinforcing bolster portion is bonded to a support portion at a second interface, the support portion comprising a hard-metal.

8. An insert according to any one of claims 1 to 7 wherein the super-hard cap has a rounded, converging or pointed form and an apex that has a radius of curvature in the range of 1.4 to 4 mm.
9. An insert according to any one of claims 1 to 7 wherein the super-hard cap has a rounded, converging or pointed form and an apex, the thickness of the super-hard cap at the apex being in the range from 1.4 to 2.4 mm.
10. An insert according to any one of the preceding claims wherein the average Young's modulus of the super-hard cap is greater than 960 GPa.
11. An insert according to any one of the preceding claims wherein the average Young's modulus of the reinforcing bolster portion is in the range from 650 to 900 GPa.
12. An insert according to any one of claims 1 to 9 wherein the average Young's modulus of the super-hard cap is greater than 960 GPa and that of the reinforcing bolster portion is in the range from 650 to 900 GPa.
13. An insert according to any one of the preceding claims wherein the super-hard cap comprises PCD and the reinforcing bolster portion comprises metal carbide grains, the metal being selected from W, Ti, Ta, Nb, Mo, Cr, Hf, Zr, Si, and further comprising a binder comprising a transition metal, and diamond in granular or particulate form, the super-hard cap bonded directly to the reinforcing bolster portion.
14. A method for manufacturing an insert according to any one of the preceding claims, the method including providing a pre-form for a reinforcing bolster portion, a pre-form for a support portion and a pre-form for a PCD cap, assembling and contacting the pre-forms in a desired configuration to form a pre-form assembly and subjecting the pre-form

assembly to ultra-high pressure and temperature conditions at which diamond is thermodynamically stable.

15. A method for using an insert according to any of claims 1 to 13 to degrade or break bodies, articles or formations comprising hard materials selected from the group comprising rock, concrete and asphalt, the method including a step of causing the super-hard cap to impact the body, article or formation.

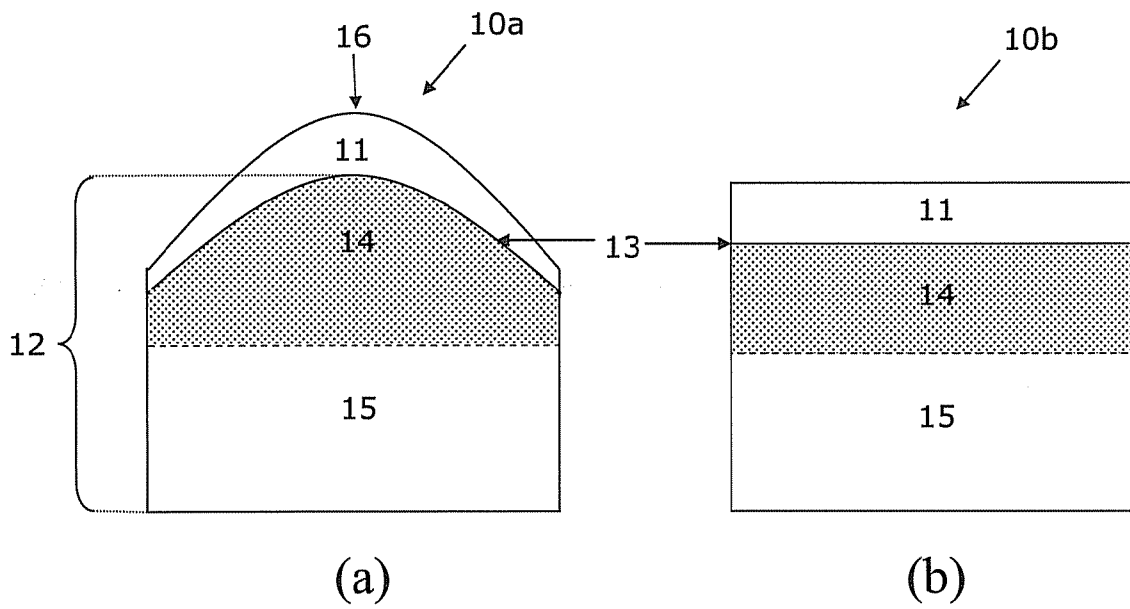


FIG. 1

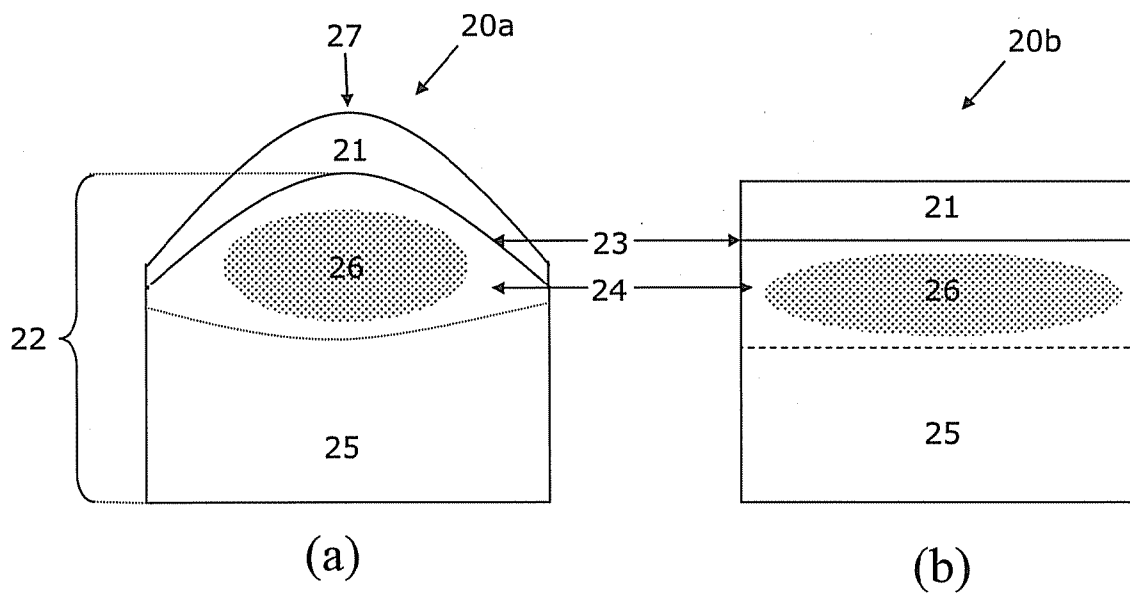


FIG. 2

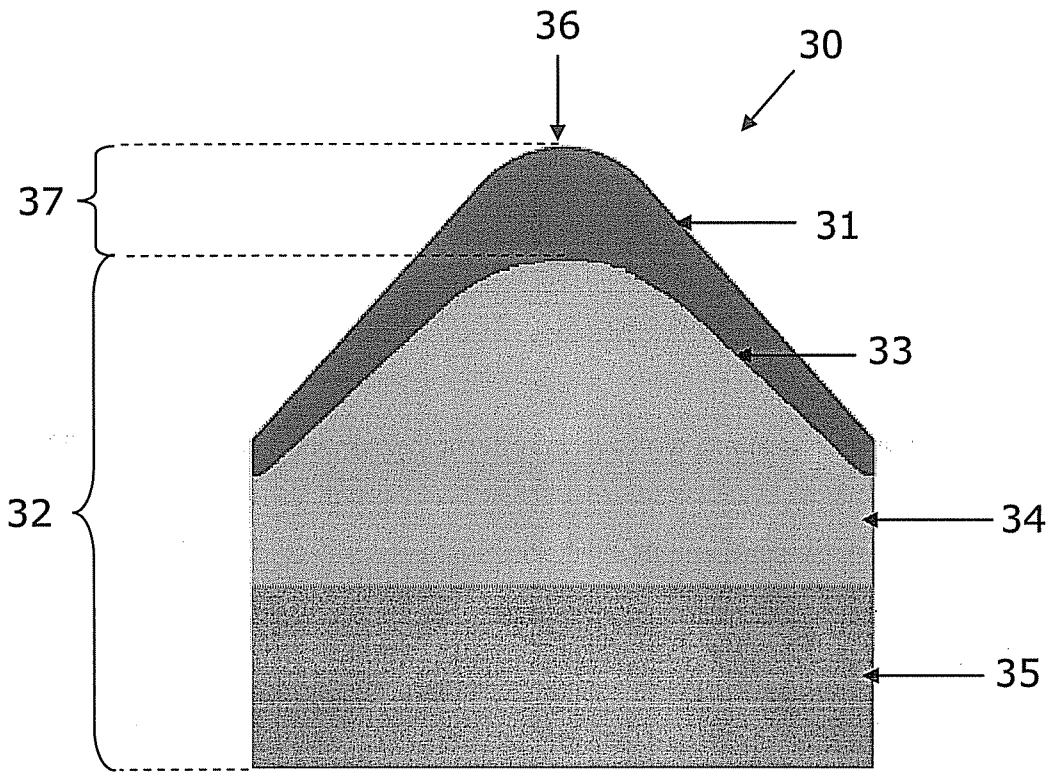


FIGURE 3

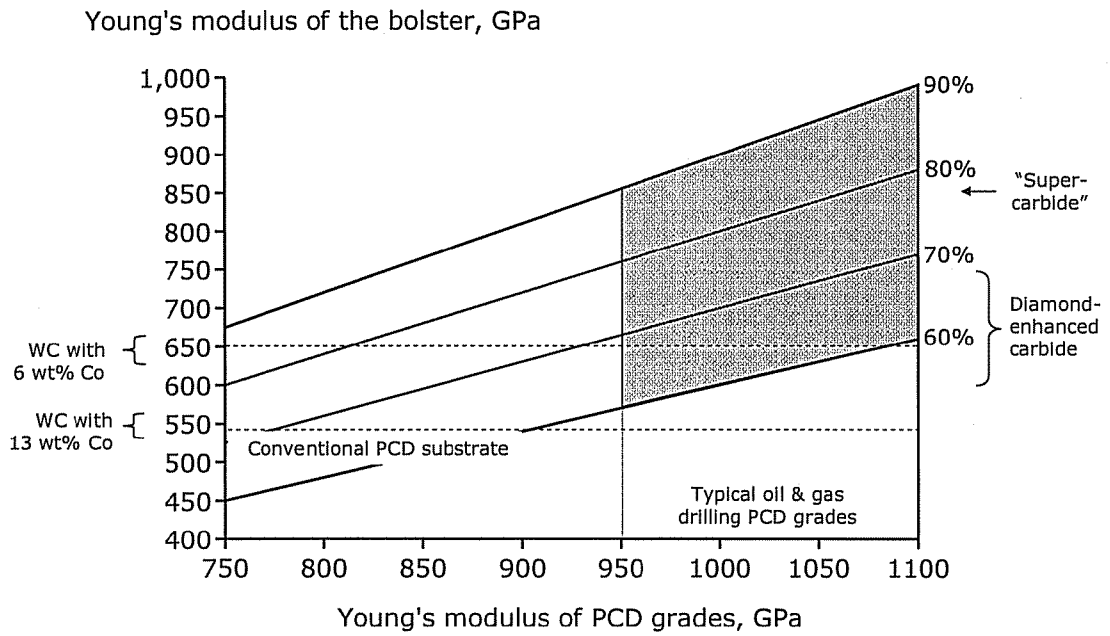


FIGURE 4

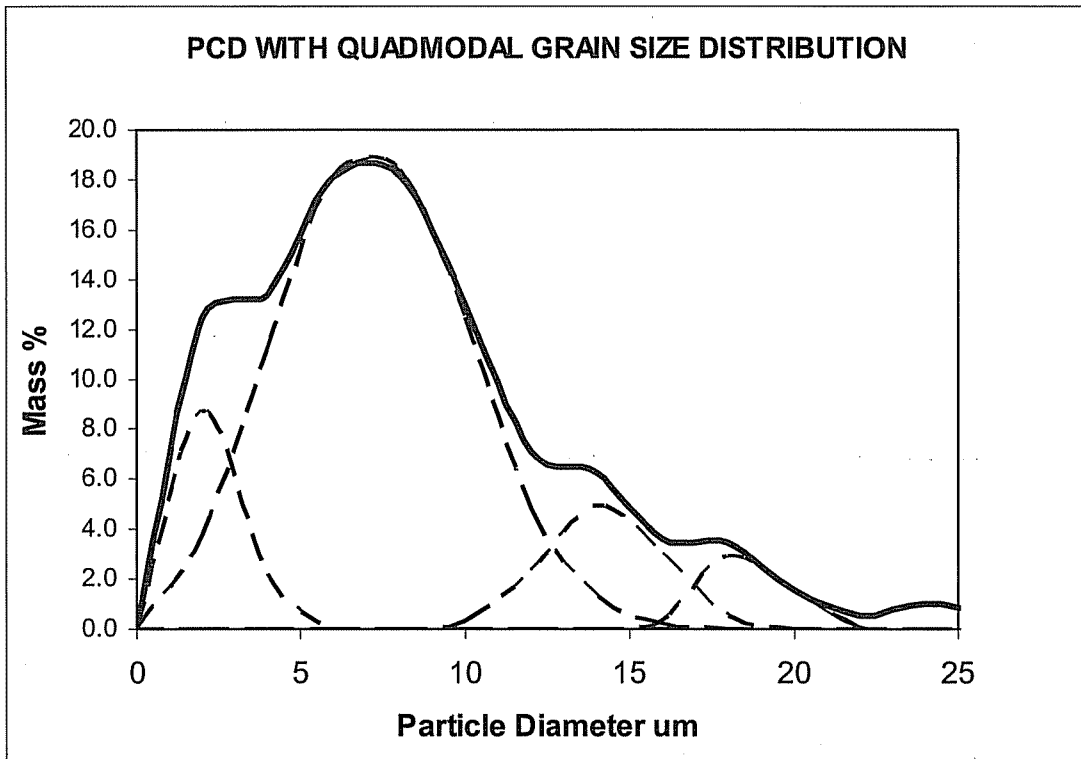


FIGURE 5

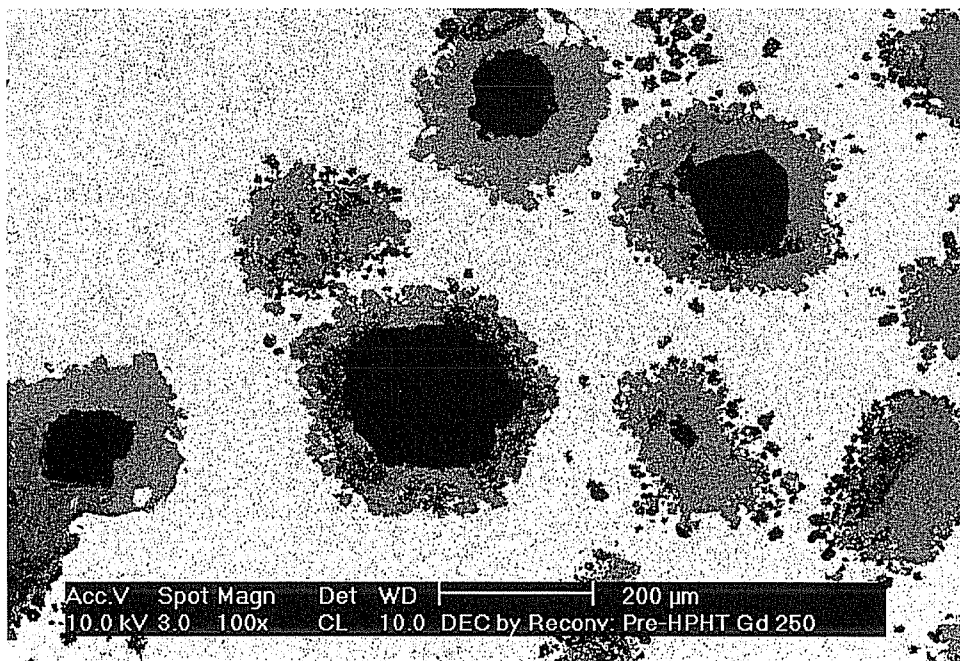


FIGURE 6 (a)

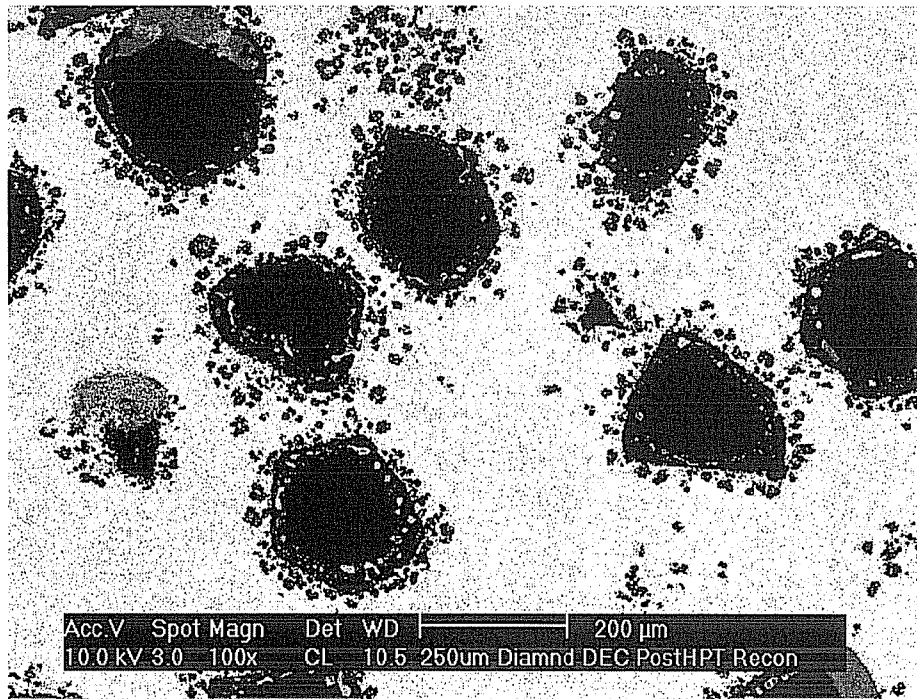


FIGURE 6(b)

**INTERNATIONAL SEARCH REPORT**

International application No  
PCT/IB2009/054649

**A. CLASSIFICATION OF SUBJECT MATTER**  
INV. E21B10/46 E21B10/573

According to International Patent Classification (IPC) or to both national classification and IPC

**B. FIELDS SEARCHED**

Minimum documentation searched (classification system followed by classification symbols)  
E21B C22C B22F E21C

Documentation searched other than minimum documentation to the extent that such documents are included in the fields searched

Electronic data base consulted during the international search (name of data base and, where practical, search terms used)

EPO-Internal, WPI Data

**C. DOCUMENTS CONSIDERED TO BE RELEVANT**

Category*	Citation of document, with indication, where appropriate, of the relevant passages	Relevant to claim No.
X	US 4 811 801 A (SALESKY WILLIAM J [US] ET AL) 14 March 1989 (1989-03-14) column 5, line 51 - line 55 column 7, line 56 - column 8, line 5 claim 51 figure 3a	1-15
A	----- US 6 443 248 B2 (YONG ZHOU [US] ET AL YONG ZHOU [US] ET AL) 3 September 2002 (2002-09-03) column 6, line 41 - line 48 figure 2 -----	1-15

Further documents are listed in the continuation of Box C.

See patent family annex.

\* Special categories of cited documents :

"A" document defining the general state of the art which is not considered to be of particular relevance

"E" earlier document but published on or after the international filing date

"L" document which may throw doubts on priority claim(s) or which is cited to establish the publication date of another citation or other special reason (as specified)

"O" document referring to an oral disclosure, use, exhibition or other means

"P" document published prior to the international filing date but later than the priority date claimed

"T" later document published after the international filing date or priority date and not in conflict with the application but cited to understand the principle or theory underlying the invention

"X" document of particular relevance; the claimed invention cannot be considered novel or cannot be considered to involve an inventive step when the document is taken alone

"Y" document of particular relevance; the claimed invention cannot be considered to involve an inventive step when the document is combined with one or more other such documents, such combination being obvious to a person skilled in the art.

"&" document member of the same patent family

Date of the actual completion of the international search

12 March 2010

Date of mailing of the international search report

25/03/2010

Name and mailing address of the ISA/

European Patent Office, P.B. 5818 Patentlaan 2  
NL - 2280 HV Rijswijk  
Tel. (+31-70) 340-2040,  
Fax: (+31-70) 340-3016

Authorized officer

Schouten, Adri

## INTERNATIONAL SEARCH REPORT

Information on patent family members

International application No  
PCT/IB2009/054649

Patent document cited in search report		Publication date		Patent family member(s)	Publication date
US 4811801	A	14-03-1989	CA	1304736 C	07-07-1992
			EP	0357723 A1	14-03-1990
			IE	62492 B1	08-02-1995
			JP	2503454 T	18-10-1990
			NO	894552 A	15-01-1990
			WO	8908727 A1	21-09-1989
			ZA	8901184 A	29-11-1989
<hr/>					
US 6443248	B2	03-09-2002	CA	2305813 A1	16-10-2000
			GB	2348901 A	18-10-2000
			US	6315065 B1	13-11-2001
			US	2002007972 A1	24-01-2002
<hr/>					