

[54] LID OPENER FOR PLASTIC PAIL

4,658,455 4/1987 Skillern 7/151 X

[75] Inventor: Bruce J. Matthies, Clarence, N.Y.

Primary Examiner—Bernard Ansher

Assistant Examiner—Terry A. Pfeffer

[73] Assignee: Shur-Line, Inc., Lancaster, N.Y.

Attorney, Agent, or Firm—Sommer, Oliverio & Sommer

[**] Term: 14 Years

[57] CLAIM

[21] Appl. No.: 76,664

The ornamental design for lid opener for plastic pail, as shown.

[22] Filed: Jul. 23, 1987

[52] U.S. Cl. D8/40

[58] Field of Search D8/40, 33, 18; 81/3.55, 81/3.07, 3.4; 7/151

DESCRIPTION

FIG. 1 is a top, rear, right side perspective view of a lid opener for plastic pail showing my new design; FIG. 2 is a top, front, left side perspective view thereof; FIG. 3 is a rear elevational view thereof; FIG. 4 is a front elevational view thereof; FIG. 5 is a top plan view thereof; FIG. 6 is a right side elevational view thereof; and FIG. 7 is a bottom plan view thereof.

[56] References Cited

U.S. PATENT DOCUMENTS

- D. 254,834 4/1980 Madsen et al. D8/18
- D. 296,411 6/1988 Madsen et al. D8/18

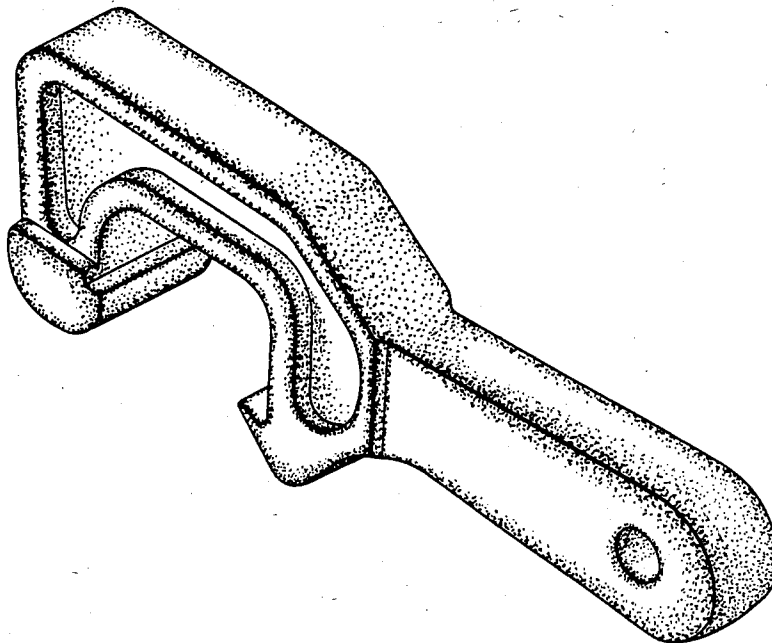


Fig. 1.

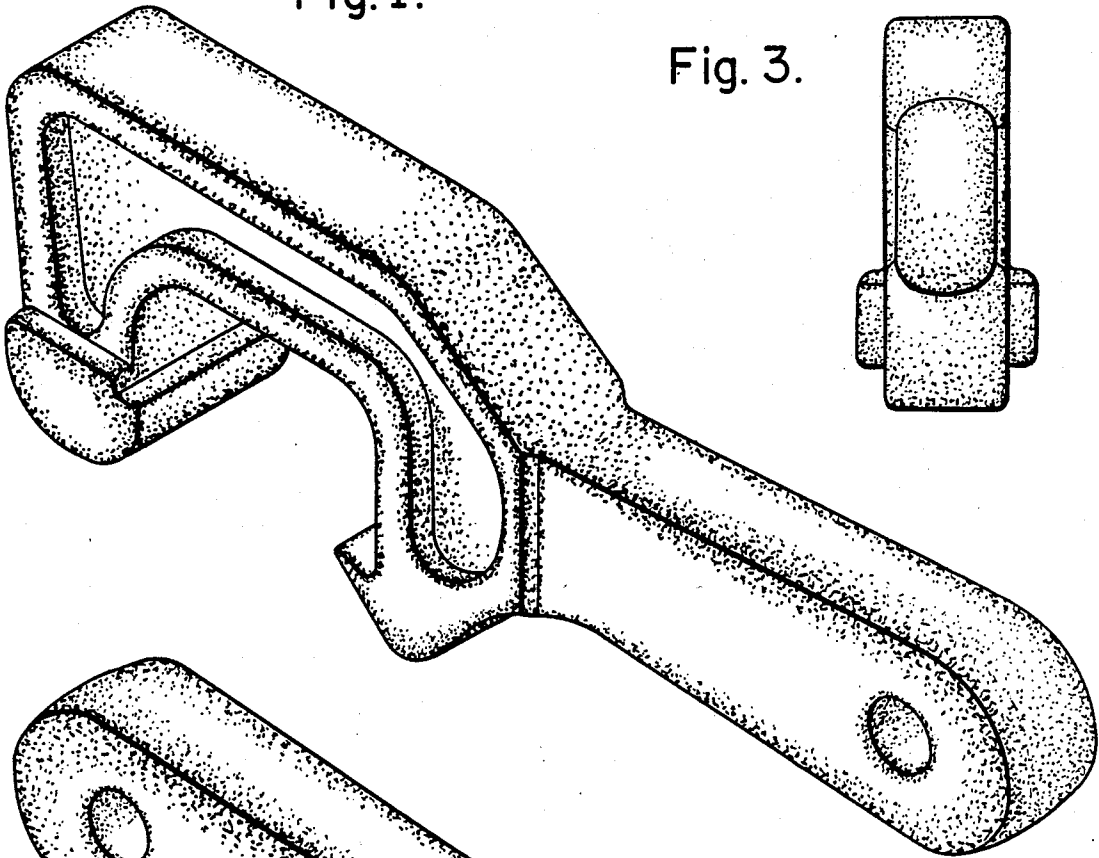


Fig. 3.

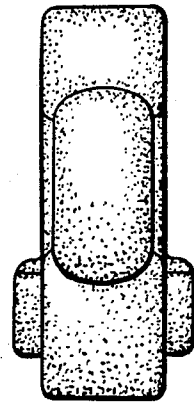


Fig. 2.

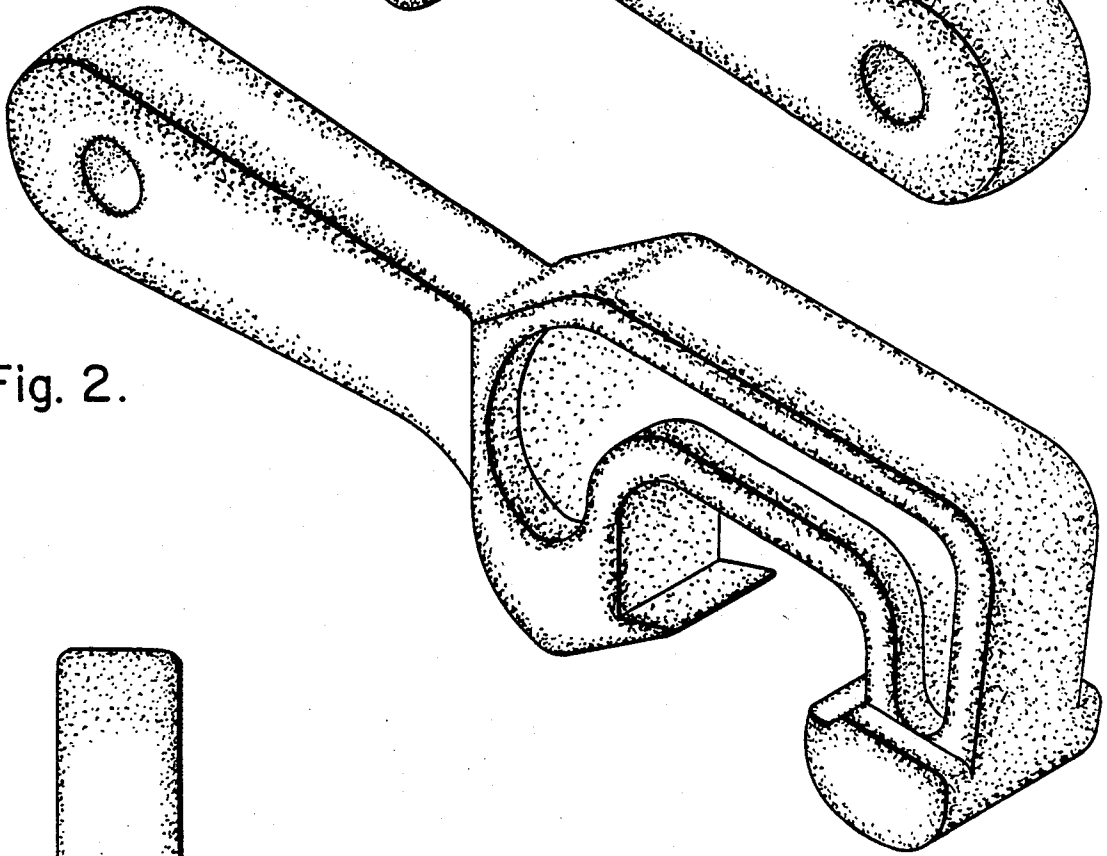


Fig. 4.

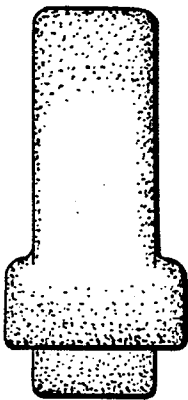


Fig. 5.

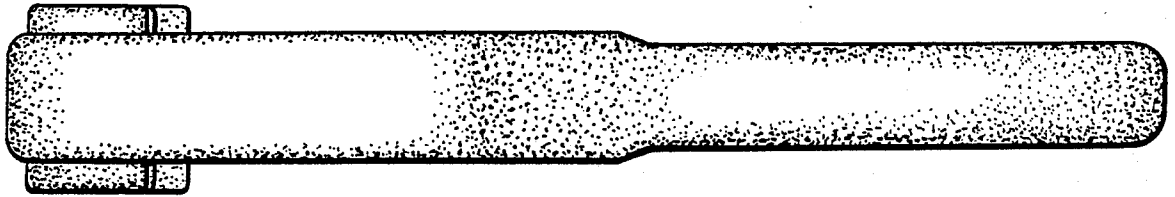


Fig. 6.

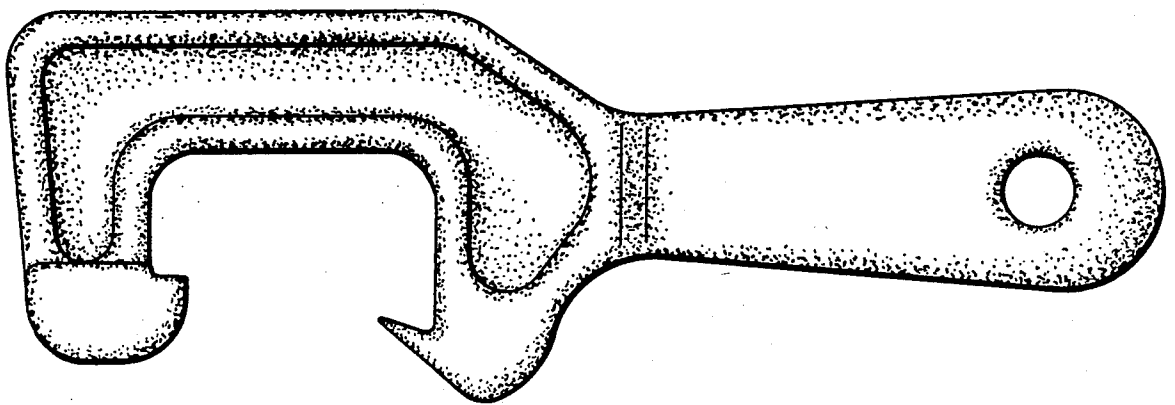


Fig. 7.

