

(19) World Intellectual Property Organization  
International Bureau



(43) International Publication Date  
15 November 2007 (15.11.2007)

PCT

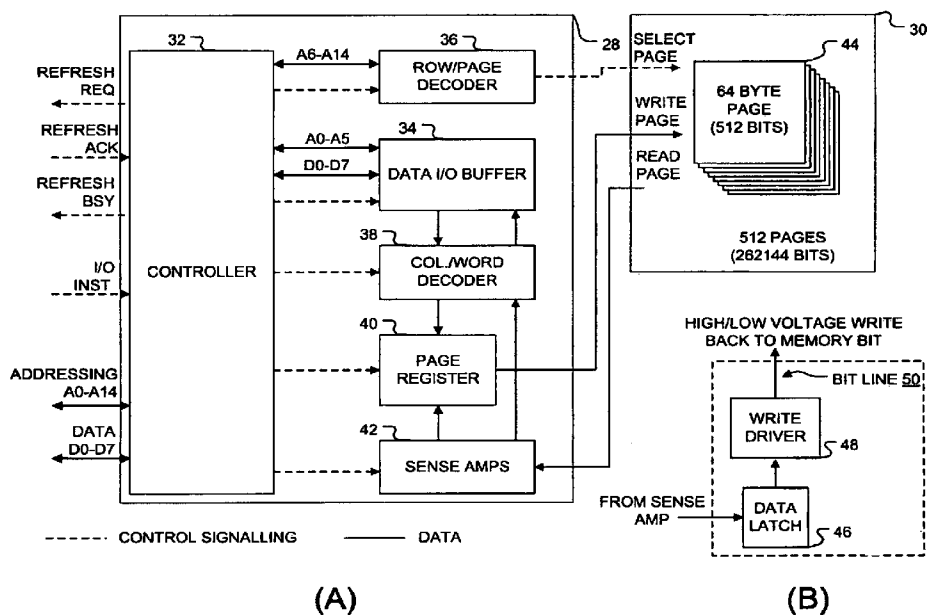
(10) International Publication Number  
**WO 2007/130187 A3**

- (51) International Patent Classification:  
*G11C 16/10* (2006.01)     *G11C 16/34* (2006.01)
- (21) International Application Number:  
PCT/US2007/003198
- (22) International Filing Date: 5 February 2007 (05.02.2007)
- (25) Filing Language: English
- (26) Publication Language: English
- (30) Priority Data:  
60/798,224     5 May 2006 (05.05.2006)     US  
11/619,677     4 January 2007 (04.01.2007)     US
- (71) Applicant (for all designated States except US): **HONEYWELL INTERNATIONAL INC.** [US/US]; 101 Columbia Road, P.O. Box 2245, Morristown, NJ 07960 (US).
- (72) Inventors; and
- (75) Inventors/Applicants (for US only): **RICKELS, James, E.** [US/US]; 4308 Decatur Avenue, New Hope, MN 55428-4727 (US). **SCHLESINGER, Samuel** [US/US]; 3330 NE 190 Street Unit 512, Aventura, FL 33180 (US).
- (74) Agents: **HOIRIIS, David, Esq.** et al.; HONEYWELL INTERNATIONAL INC., 101 Columbia Road, P.O. Box 2245, Morristown, NJ 07960 (US).

- (81) Designated States (unless otherwise indicated, for every kind of national protection available): AE, AG, AL, AM, AT, AU, AZ, BA, BB, BG, BR, BW, BY, BZ, CA, CH, CN, CO, CR, CU, CZ, DE, DK, DM, DZ, EC, EE, EG, ES, FI, GB, GD, GE, GH, GM, GT, HN, HR, HU, ID, IL, IN, IS, JP, KE, KG, KM, KN, KP, KR, KZ, LA, LC, LK, LR, LS, LT, LU, LV, LY, MA, MD, ME, MG, MK, MN, MW, MX, MY, MZ, NA, NG, NI, NO, NZ, OM, PG, PH, PL, PT, RO, RS, RU, SC, SD, SE, SG, SK, SL, SM, SV, SY, TJ, TM, TN, TR, TT, TZ, UA, UG, US, UZ, VC, VN, ZA, ZM, ZW.
- (84) Designated States (unless otherwise indicated, for every kind of regional protection available): ARIPO (BW, GH, GM, KE, LS, MW, MZ, NA, SD, SL, SZ, TZ, UG, ZM, ZW), Eurasian (AM, AZ, BY, KG, KZ, MD, RU, TJ, TM), European (AT, BE, BG, CH, CY, CZ, DE, DK, EE, ES, FI, FR, GB, GR, HU, IE, IS, IT, LT, LU, LV, MC, NL, PL, PT, RO, SE, SI, SK, TR), OAPI (BF, BJ, CF, CG, CI, CM, GA, GN, GQ, GW, ML, MR, NE, SN, TD, TG).

- Published:
  - with international search report
  - before the expiration of the time limit for amending the claims and to be republished in the event of receipt of amendments
- (88) Date of publication of the international search report:  
24 April 2008

(54) Title: METHOD FOR REFRESHING A NON-VOLATILE MEMORY



(57) Abstract: A non-volatile memory and a method of refreshing a memory are described. The method includes allowing an external system to control refreshing operations within the memory. The memory may generate a refresh request signal and transmit the refresh request signal to the external system. When the external system finds an available time to process the refresh request, the external system acknowledges the refresh request and transmits a refresh acknowledge signal to the memory. The memory may also comprise a page register for reading and rewriting a data state back to the memory. The page register may comprise latches in lieu of supplemental non-volatile storage elements, thereby conserving real estate within the memory.

WO 2007/130187 A3

# INTERNATIONAL SEARCH REPORT

International application No  
PCT/US2007/003198

**A. CLASSIFICATION OF SUBJECT MATTER**  
INV. G11C16/10 G11C16/34

According to International Patent Classification (IPC) or to both national classification and IPC

**B. FIELDS SEARCHED**

Minimum documentation searched (classification system followed by classification symbols)  
G11C

Documentation searched other than minimum documentation to the extent that such documents are included in the fields searched

Electronic data base consulted during the international search (name of data base and, where practical, search terms used)

EPO-Internal, WPI Data, PAJ

**C. DOCUMENTS CONSIDERED TO BE RELEVANT**

Category*	Citation of document, with indication, where appropriate, of the relevant passages	Relevant to claim No.
Y	EP 1 253 599 A (SAIFUN SEMICONDUCTORS LTD [IL]) 30 October 2002 (2002-10-30) figures 1,4	1-20
Y	WO 02/069344 A (MONOLITHIC SYSTEM TECH INC [US]) 6 September 2002 (2002-09-06) paragraphs [0100] - [0104]; figure 10	1-20
Y	US 2004/213035 A1 (CAVALERI PAOLA [FR] ET AL) 28 October 2004 (2004-10-28) figure 4	1-20
Y	US 5 969 993 A (TAKESHIMA TOSHIO [JP]) 19 October 1999 (1999-10-19) figure 3	1-20
Y	US 5 768 193 A (LEE PETER W [US] ET AL) 16 June 1998 (1998-06-16) figures 1,8	1-20

Further documents are listed in the continuation of Box C.

See patent family annex.

\* Special categories of cited documents :

- \*A\* document defining the general state of the art which is not considered to be of particular relevance
- \*E\* earlier document but published on or after the international filing date
- \*L\* document which may throw doubts on priority claim(s) or which is cited to establish the publication date of another citation or other special reason (as specified)
- \*O\* document referring to an oral disclosure, use, exhibition or other means
- \*P\* document published prior to the international filing date but later than the priority date claimed

- \*T\* later document published after the international filing date or priority date and not in conflict with the application but cited to understand the principle or theory underlying the invention
- \*X\* document of particular relevance; the claimed invention cannot be considered novel or cannot be considered to involve an inventive step when the document is taken alone
- \*Y\* document of particular relevance; the claimed invention cannot be considered to involve an inventive step when the document is combined with one or more other such documents, such combination being obvious to a person skilled in the art.
- \*&\* document member of the same patent family

Date of the actual completion of the international search

14 February 2008

Date of mailing of the international search report

21/02/2008

Name and mailing address of the ISA/  
European Patent Office, P.B. 5818 Patentlaan 2  
NL - 2280 HV Rijswijk  
Tel. (+31-70) 340-2040, Tx. 31 651 epo nl,  
Fax: (+31-70) 340-3016

Authorized officer

Ramcke, Ties

# INTERNATIONAL SEARCH REPORT

Information on patent family members

International application No PCT/US2007/003198
---

Patent document cited in search report		Publication date		Patent family member(s)	Publication date
EP 1253599	A	30-10-2002	JP	2002329398 A	15-11-2002
			US	2002191465 A1	19-12-2002
WO 02069344	A	06-09-2002	EP	1374247 A2	02-01-2004
US 2004213035	A1	28-10-2004	FR	2851074 A1	13-08-2004
US 5969993	A	19-10-1999	JP	3189740 B2	16-07-2001
			JP	11016380 A	22-01-1999
US 5768193	A	16-06-1998	AU	2825197 A	07-01-1998
			WO	9749086 A1	24-12-1997
			US	5777923 A	07-07-1998