

(19) World Intellectual Property Organization
International Bureau



(43) International Publication Date
6 January 2011 (06.01.2011)

(10) International Publication Number
WO 2011/003069 A3

- (51) International Patent Classification:
A61B 19/02 (2006.01) *A61L 2/00* (2006.01)
- (21) International Application Number:
PCT/US2010/040916
- (22) International Filing Date:
2 July 2010 (02.07.2010)
- (25) Filing Language: English
- (26) Publication Language: English
- (30) Priority Data:
61/222,661 2 July 2009 (02.07.2009) US
12/828,657 1 July 2010 (01.07.2010) US
- (71) Applicant (for all designated States except US): **SYMMETRY MEDICAL USA, INC.** [US/US]; 3724 N. State Road 15, Warsaw, Indiana 46582 (US).
- (72) Inventors; and
- (75) Inventors/Applicants (for US only): **DANE, Gary, T.** [US/US]; 31 South Bow Dunbarton Road, Bow, New Hampshire 03304 (US). **SHOEMAKER, Jon, D.** [US/US]; 26 EMS T7 Lane, Leesburg, Indiana 46538 (US).
- (74) Agents: **SULLIVAN, Todd, A.** et al.; Hayes Soloway PC, 175 Canal Street, Manchester, New Hampshire 03101 (US).
- (81) Designated States (unless otherwise indicated, for every kind of national protection available): AE, AG, AL, AM,

AO, AT, AU, AZ, BA, BB, BG, BH, BR, BW, BY, BZ, CA, CH, CL, CN, CO, CR, CU, CZ, DE, DK, DM, DO, DZ, EC, EE, EG, ES, FI, GB, GD, GE, GH, GM, GT, HN, HR, HU, ID, IL, IN, IS, JP, KE, KG, KM, KN, KP, KR, KZ, LA, LC, LK, LR, LS, LT, LU, LY, MA, MD, ME, MG, MK, MN, MW, MX, MY, MZ, NA, NG, NI, NO, NZ, OM, PE, PG, PH, PL, PT, RO, RS, RU, SC, SD, SE, SG, SK, SL, SM, ST, SV, SY, TH, TJ, TM, TN, TR, TT, TZ, UA, UG, US, UZ, VC, VN, ZA, ZM, ZW.

(84) Designated States (unless otherwise indicated, for every kind of regional protection available): ARIPO (BW, GH, GM, KE, LR, LS, MW, MZ, NA, SD, SL, SZ, TZ, UG, ZM, ZW), Eurasian (AM, AZ, BY, KG, KZ, MD, RU, TJ, TM), European (AL, AT, BE, BG, CH, CY, CZ, DE, DK, EE, ES, FI, FR, GB, GR, HR, HU, IE, IS, IT, LT, LU, LV, MC, MK, MT, NL, NO, PL, PT, RO, SE, SI, SK, SM, TR), OAPI (BF, BJ, CF, CG, CI, CM, GA, GN, GQ, GW, ML, MR, NE, SN, TD, TG).

Published:

- with international search report (Art. 21(3))
- before the expiration of the time limit for amending the claims and to be republished in the event of receipt of amendments (Rule 48.2(h))

(88) Date of publication of the international search report:
21 April 2011

(54) Title: SYSTEM AND METHOD FOR PROVIDING A METAL STERILIZATION TRAY

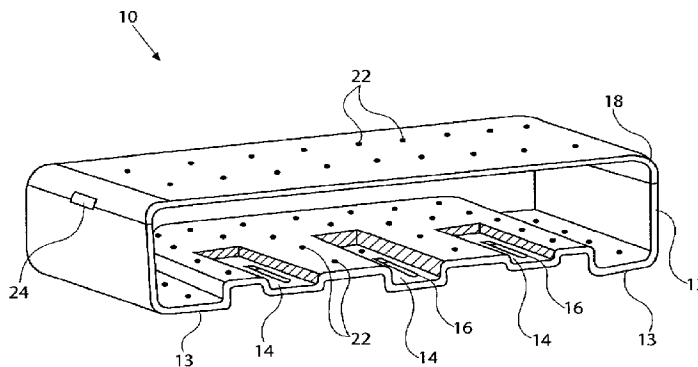


Fig. 1

(57) Abstract: The system contains a metal tray formed from a sheet of metal. A plurality of pockets is formed in the metal tray, wherein the plurality of pockets is formed from manipulating the sheet of metal. A cover is formed over the metal tray. Optionally, a base may be engaged with the cover, wherein the metal tray is formed to fit snugly between the cover and the base.

WO 2011/003069 A3

A. CLASSIFICATION OF SUBJECT MATTER*A61B 19/02(2006.01)i, A61L 2/00(2006.01)i*

According to International Patent Classification (IPC) or to both national classification and IPC

B. FIELDS SEARCHED

Minimum documentation searched (classification system followed by classification symbols)

A61B 19/02; B65D 83/10; A61L 2/26; B65D 1/36

Documentation searched other than minimum documentation to the extent that such documents are included in the fields searched

Korean utility models and applications for utility models

Japanese utility models and applications for utility models

Electronic data base consulted during the international search (name of data base and, where practicable, search terms used)

eKOMPASS(KIPO internal) & Keywords: sterilization, tray, pocket, metal, opening, and depth

C. DOCUMENTS CONSIDERED TO BE RELEVANT

Category*	Citation of document, with indication, where appropriate, of the relevant passages	Relevant to claim No.
Y	US 06012577 A1 (LEWIS, PAUL P. et al.) 11 JANUARY 2000 See column 1, line 64 - column 2, line 65; Figures. 1-4.	1-19
Y	US 05394983 A1 (LATULIPPE, MICHAEL et al.) 7 MARCH 1995 See column 1, line 50 - column 5, line 11; Figures. 1-12.	1-19
Y	US 2005-0158222 A1 (BATTENHAUSEN, CARY A. et al.) 21 JULY 2005 See paragraph [25] - paragraph [29]; Figure. 3.	8-9, 11, 18
A	US 05281400 A1 (BERRY, BERNIE B.) 25 JANUARY 1994 See column 3, line 15 - column 5, line 61; Figures. 1-7.	1-19
A	US 04046254 A1 (KRAMER, STEVEN G.) 6 SEPTEMBER 1977 See column 3, line 29 - column 8, line 11; Figures. 1-8.	1-19
A	US 06450863 B1 (DHINDSA, AVTAR S.) 18 JUNE 2002 See column 2, line 10 - column 4, line 40; Figures. 1-7.	1-19

 Further documents are listed in the continuation of Box C. See patent family annex.

* Special categories of cited documents:

"A" document defining the general state of the art which is not considered to be of particular relevance

"E" earlier application or patent but published on or after the international filing date

"L" document which may throw doubts on priority claim(s) or which is cited to establish the publication date of citation or other special reason (as specified)

"O" document referring to an oral disclosure, use, exhibition or other means

"P" document published prior to the international filing date but later than the priority date claimed

"T" later document published after the international filing date or priority date and not in conflict with the application but cited to understand the principle or theory underlying the invention

"X" document of particular relevance; the claimed invention cannot be considered novel or cannot be considered to involve an inventive step when the document is taken alone

"Y" document of particular relevance; the claimed invention cannot be considered to involve an inventive step when the document is combined with one or more other such documents, such combination being obvious to a person skilled in the art

"&" document member of the same patent family

Date of the actual completion of the international search

22 FEBRUARY 2011 (22.02.2011)

Date of mailing of the international search report

23 FEBRUARY 2011 (23.02.2011)

Name and mailing address of the ISA/KR

Korean Intellectual Property Office
Government Complex-Daejeon, 139 Seonsa-ro, Seo-gu, Daejeon 302-701, Republic of Korea

Facsimile No. 82-42-472-7140

Authorized officer

RYU Chang Yong

Telephone No. 82-42-481-5546



INTERNATIONAL SEARCH REPORT

Information on patent family members

International application No.

PCT/US2010/040916

Patent document cited in search report	Publication date	Patent family member(s)	Publication date
US 6012577 A1	11.01.2000	None	
US 5394983 A1	07.03.1995	None	
US 2005-0158222 A1	21.07.2005	None	
US 5281400 A1	25.01.1994	US 5415846 A1	16.05.1995
US 4046254 A1	06.09.1977	None	
US 6405863 B1	18.06.2002	None	