



US00D996476S

(12) **United States Design Patent**
Xie

(10) **Patent No.:** **US D996,476 S**

(45) **Date of Patent:** **** Aug. 22, 2023**

(54) **CAR REFRIGERATOR**

(71) Applicant: **GUANGDONG ICECO ENTERPRISE CO., LTD.**, Zhongshan (CN)

(72) Inventor: **Yu Xie**, Zhongshan (CN)

(73) Assignee: **GUANGDONG ICECO ENTERPRISE CO., LTD.**, Zhongshan (CN)

(**) Term: **15 Years**

(21) Appl. No.: **29/823,127**

(22) Filed: **Jan. 14, 2022**

(51) **LOC (14) Cl.** **15-07**

(52) **U.S. Cl.**
USPC **D15/79**

(58) **Field of Classification Search**
USPC D15/79-91; D7/603-608, 629; D3/272-274
CPC F25D 3/08; F25D 11/00; F25D 11/003; F25D 19/02; F25D 2400/10; F25D 2400/38; F25D 29/003; F25D 5/02
See application file for complete search history.

(56) **References Cited**

U.S. PATENT DOCUMENTS

D750,140 S * 2/2016 Cross D15/81
D802,028 S * 11/2017 Li D15/81
D802,029 S * 11/2017 Li D15/81

D802,630 S * 11/2017 Li D15/81
D851,138 S * 6/2019 Murabayashi D15/81
D880,540 S * 4/2020 Xie D15/83
10,641,538 B1 * 5/2020 Tang F25B 27/00
D905,129 S * 12/2020 Deng D15/81
D909,432 S * 2/2021 Xu D15/79
D946,635 S * 3/2022 Deng D15/79
D958,201 S * 7/2022 Zhao D15/79
D958,203 S * 7/2022 Tang D15/83
D960,940 S * 8/2022 Deng D15/79
D963,707 S * 9/2022 Zhang D15/79
D964,436 S * 9/2022 Yang D15/83
D986,298 S * 5/2023 Tang D15/79

* cited by examiner

Primary Examiner — Khawaja Anwar

(57) **CLAIM**

The ornamental design for a car refrigerator, as shown and described.

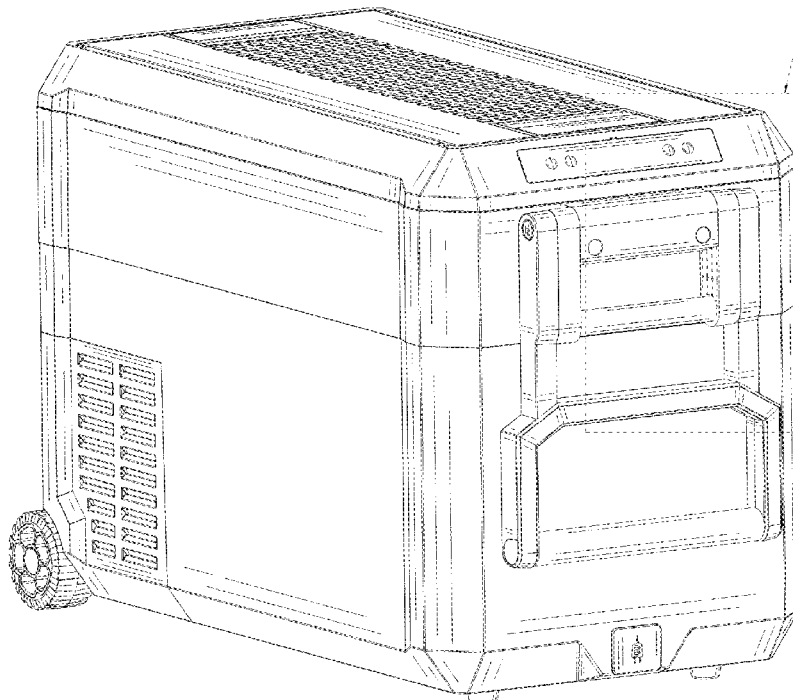
DESCRIPTION

FIG. 1 is a perspective view of a car refrigerator showing our new design;
FIG. 2 is a front view thereof;
FIG. 3 is a back view thereof;
FIG. 4 is an enlarged left view thereof;
FIG. 5 is an enlarged right view thereof;
FIG. 6 is a top view thereof;
FIG. 7 is a bottom view thereof;
FIG. 8 is a partially enlarged view of FIG. 1; and,
FIG. 9 is a partially enlarged view of FIG. 2.

The broken lines shown on the drawings depict portions of the car refrigerator that form no part of the claimed design.

1 Claim, 9 Drawing Sheets

8



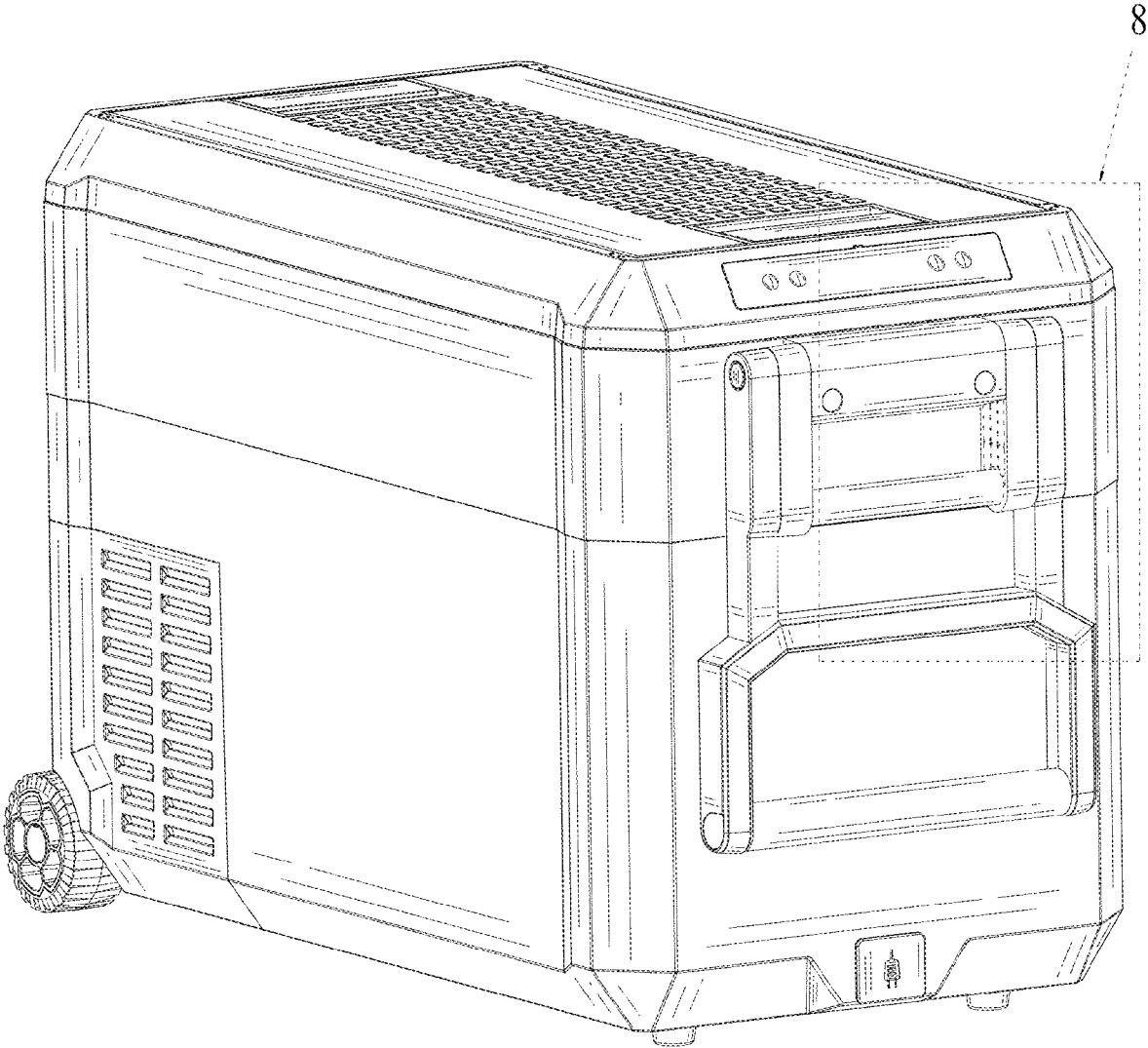


FIG. 1

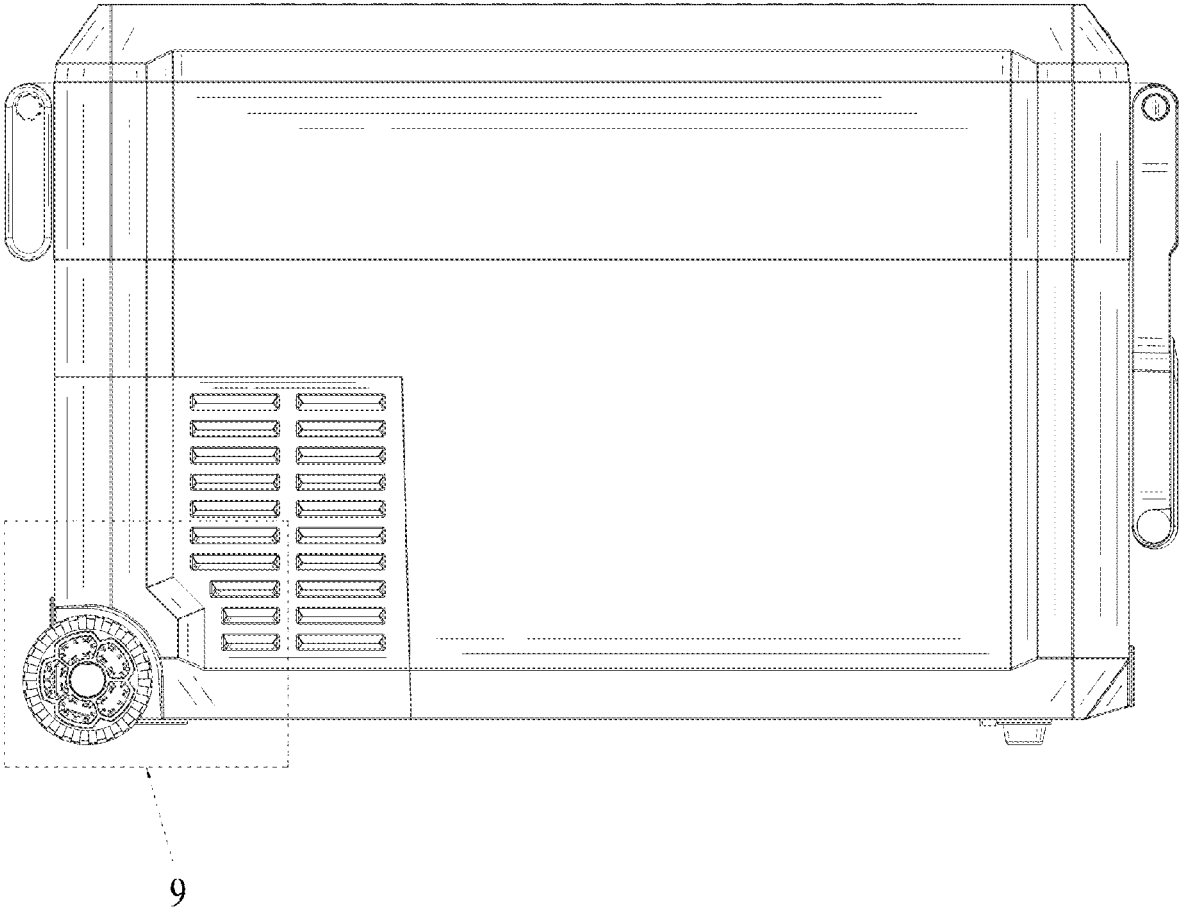


FIG. 2



FIG. 3

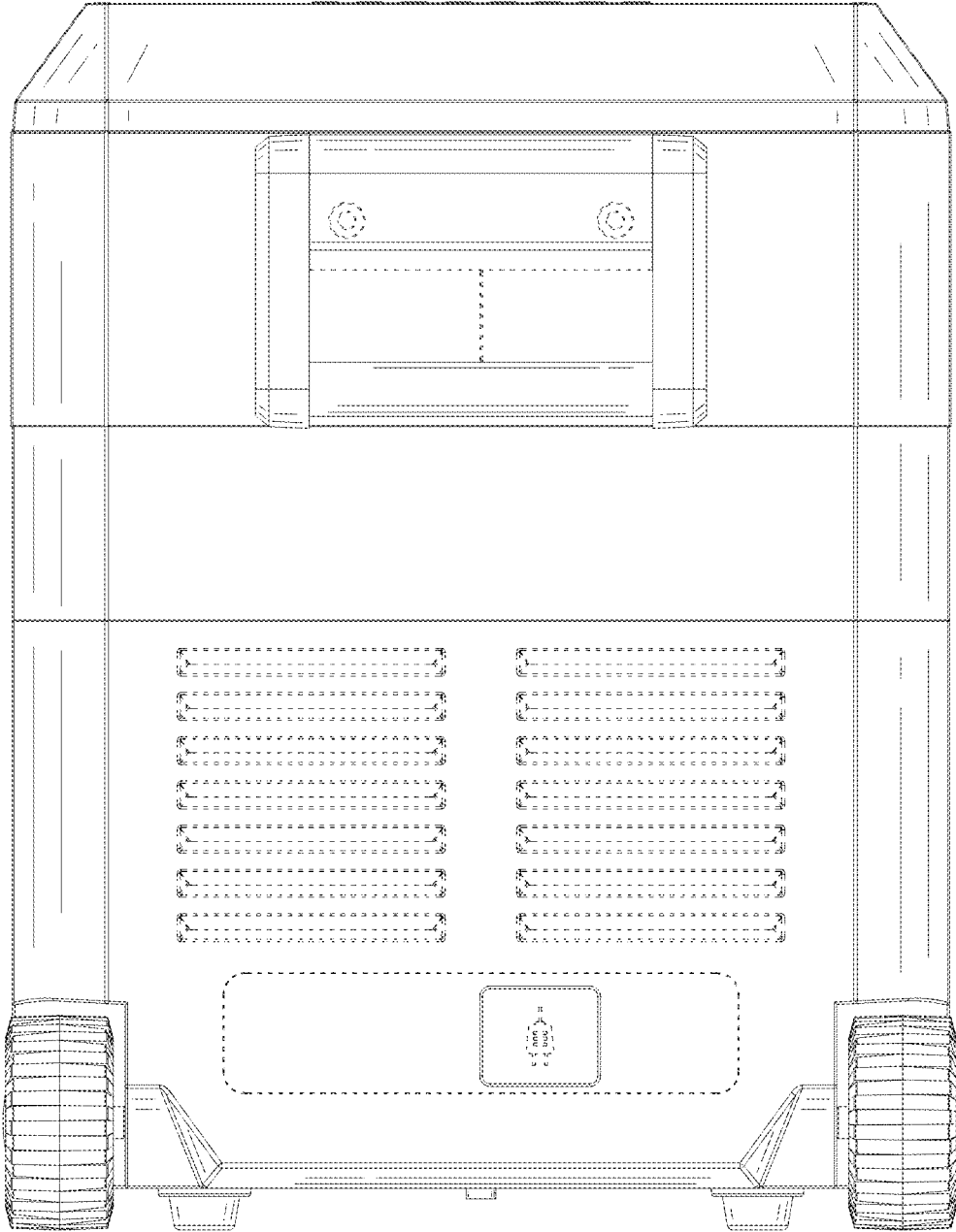


FIG. 4

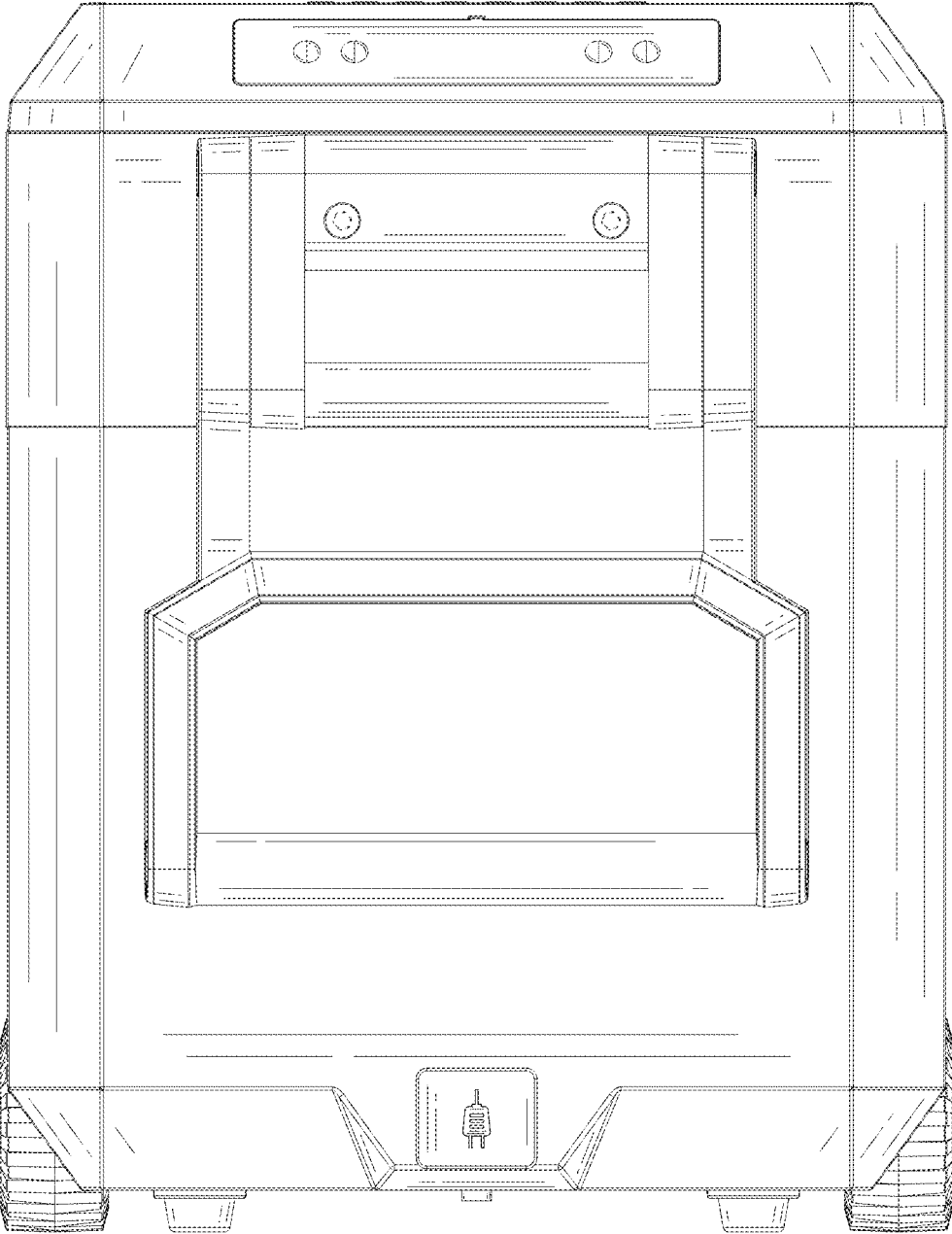


FIG. 5

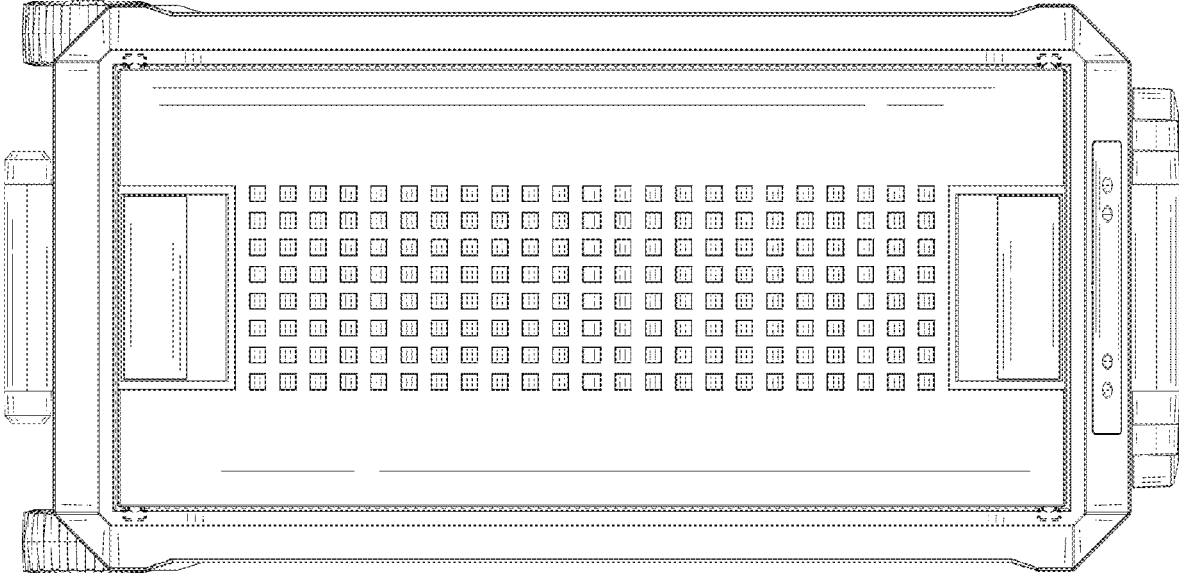


FIG. 6

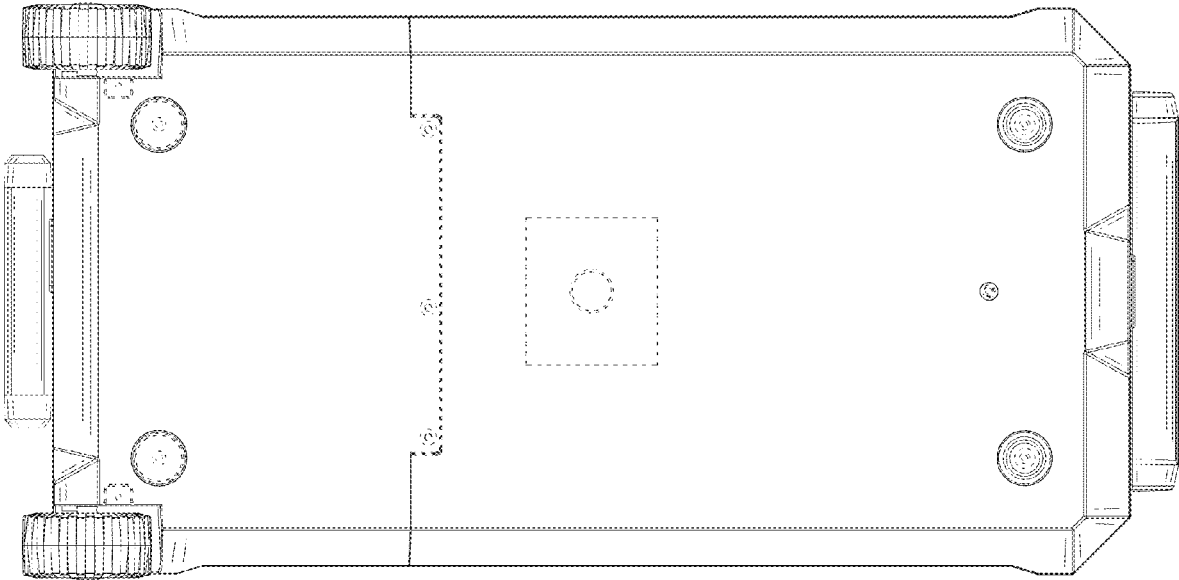


FIG. 7

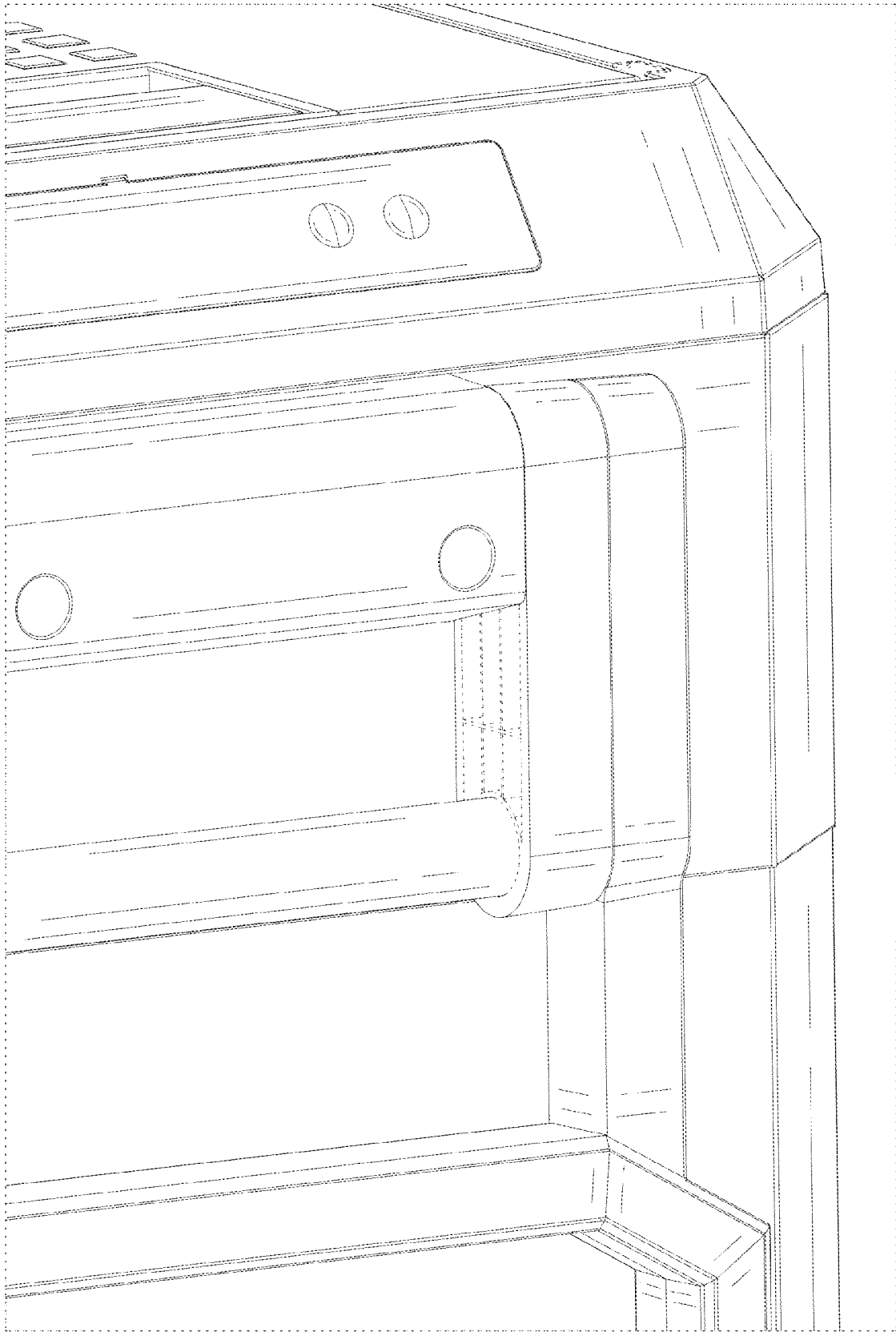


FIG. 8

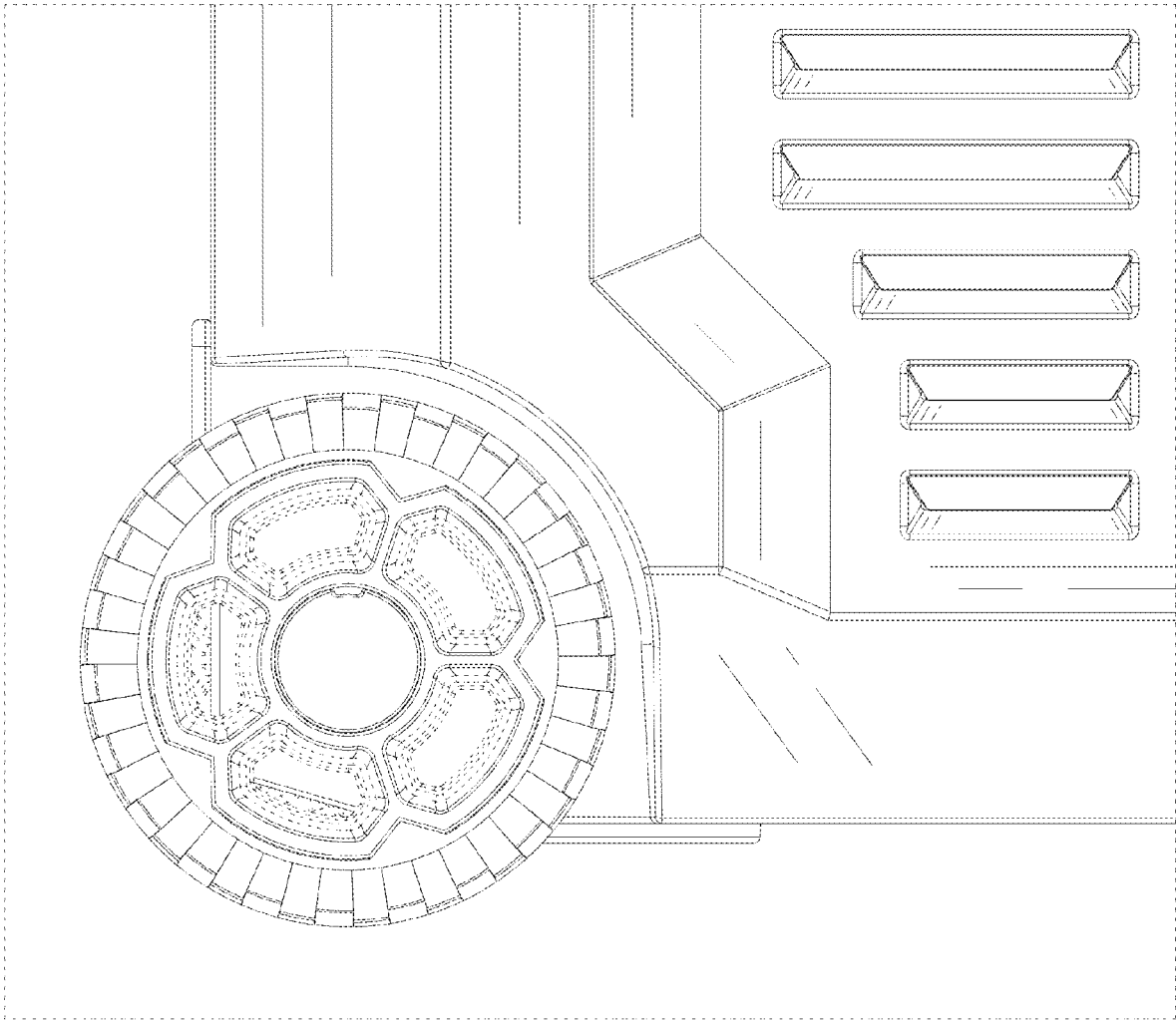


FIG. 9