



US00RE47386E

(19) **United States**
(12) **Reissued Patent**
Gilock et al.

(10) **Patent Number:** **US RE47,386 E**
(45) **Date of Reissued Patent:** **May 14, 2019**

(54) **MICROWAVE OVEN**

(71) Applicant: **Samsung Electronics Co., Ltd.**,
Suwon-si, Gyeonggi-do (KR)

(72) Inventors: **Lee Gilock**, Seoul (KR); **Kwack Jung Kyung**, Seoul (KR)

(73) Assignee: **Samsung Electronics Co., Ltd.**,
Gyeonggi-do (KR)

(21) Appl. No.: **29/528,925**

(22) Filed: **Jun. 2, 2015**

Related U.S. Patent Documents

Reissue of:

(64) Patent No.: **Des. 683,576**
Issued: **Jun. 4, 2013**
Appl. No.: **29/374,742**
Filed: **Sep. 29, 2011**

(30) **Foreign Application Priority Data**

Sep. 22, 2011 (KR) 30-2011-0039265

(51) **LOC (11) Cl.** **07-02**

(52) **U.S. Cl.**
USPC **D7/351**

(58) **Field of Classification Search**
USPC D7/349, 350.1, 350.3, 351, 402, 405
(Continued)

(56) **References Cited**

U.S. PATENT DOCUMENTS

D63,212 S * 11/1923 Baylis D6/603
D518,680 S * 4/2006 Kim D7/351
(Continued)

OTHER PUBLICATIONS

Notice of Allowance dated May 5, 2017 for co-pending U.S. Appl. No. 29/565,903.

Primary Examiner — Philip S Hyder
(74) *Attorney, Agent, or Firm* — Harness, Dickey & Pierce, P.L.C.

(57) **CLAIM**

We claim the ornamental design for a microwave oven, as shown and described.

DESCRIPTION

More than one reissue application has been filed for U.S. Design Pat. No. D683,576. The reissue applications are divisional reissue application Ser. No. 29/565,903 and the present reissue application Ser. No. 29/528,925, all of which are reissues of U.S. Design Pat. No. D683,576.

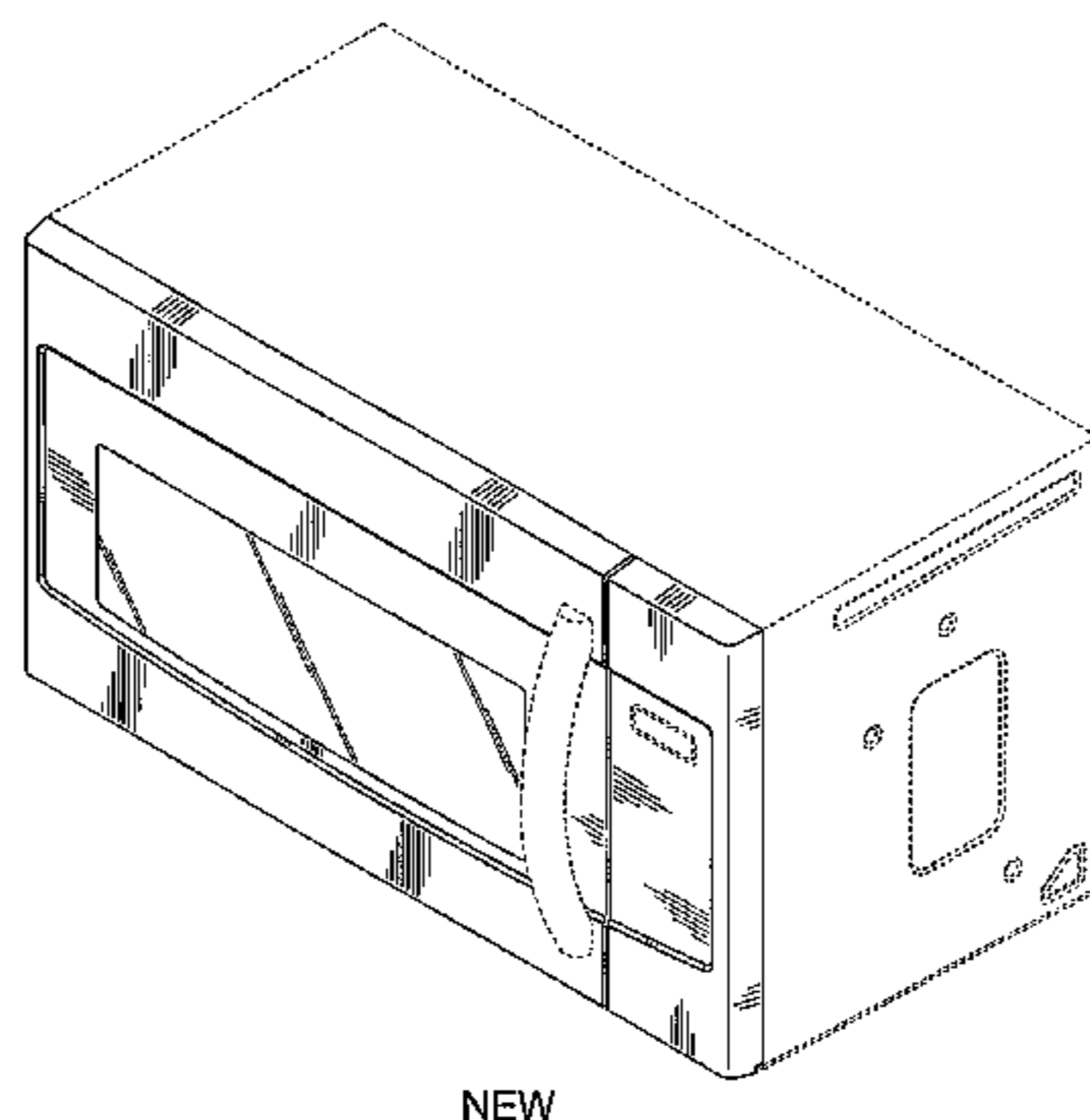
FIG. 1 is a top, front and right [side] perspective view of a microwave oven showing our new design; FIG. 2 is a front elevational view thereof; FIG. 3 is a rear elevational view thereof; FIG. 4 is a left side elevational view thereof; FIG. 5 is a right side elevational view thereof; FIG. 6 is a top plan view thereof; FIG. 7 is a bottom plan view thereof; [and,] FIG. 8 is a bottom, front, and right side perspective view thereof[.];

FIG. 9 is a perspective of a second embodiment of the microwave oven, showing our new design; FIG. 10 is a front elevational view thereof; FIG. 11 is a rear elevational view thereof; FIG. 12 is a left side elevational view thereof; FIG. 13 is a right side elevational view thereof; FIG. 14 is a top plan view thereof; FIG. 15 is a bottom plan view thereof; and, FIG. 16 is a bottom, front, and right perspective view thereof.

The broken lines depict portions of the microwave oven in which the design is embodied that are not considered part of the claimed design.

1 Claim, 16 Drawing Sheets

Matter enclosed in heavy brackets [] appears in the original patent but forms no part of this reissue; matter printed in italics indicates the additions made by reissue.



(58) **Field of Classification Search**

CPC H05B 6/64; H05B 6/6417; H05B 6/6414

See application file for complete search history.

(56) **References Cited**

U.S. PATENT DOCUMENTS

D532,645	S	*	11/2006	Lee	D7/351
D561,529	S	*	2/2008	Suh	D7/351
D576,834	S	*	9/2008	Shin et al.	D7/351
D576,835	S	*	9/2008	Shin	D7/351
D583,614	S	*	12/2008	Chung et al.	D7/351
D607,264	S	*	1/2010	Lee	D7/351
D631,388	S	*	1/2011	Itzkowitz	D11/90
D631,688	S	*	2/2011	Kim et al.	D7/351
D631,689	S		2/2011	Kim et al.		
D632,125	S	*	2/2011	Kim	D7/351
D633,328	S	*	3/2011	Shin	D7/351
D633,750	S	*	3/2011	Baek et al.	D7/351
D633,751	S	*	3/2011	Baek et al.	D7/351
D634,576	S	*	3/2011	Baek et al.	D7/351
D653,908	S	*	2/2012	Browne	D7/405
D673,416	S	*	1/2013	Lee	D7/351
D673,417	S	*	1/2013	Lee	D7/351
D673,805	S	*	1/2013	Lee	D7/351

* cited by examiner

FIG. 1

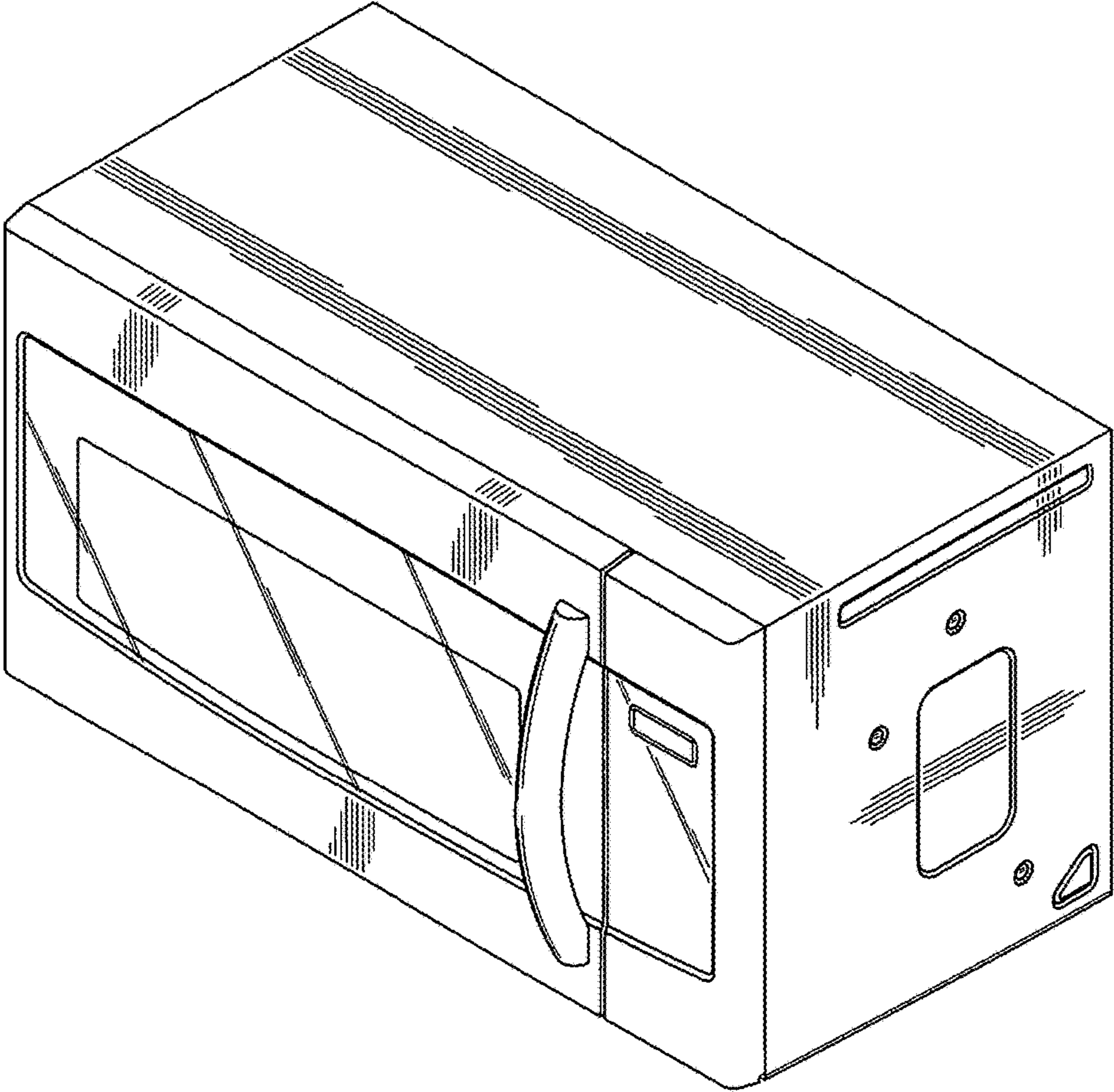


FIG. 2

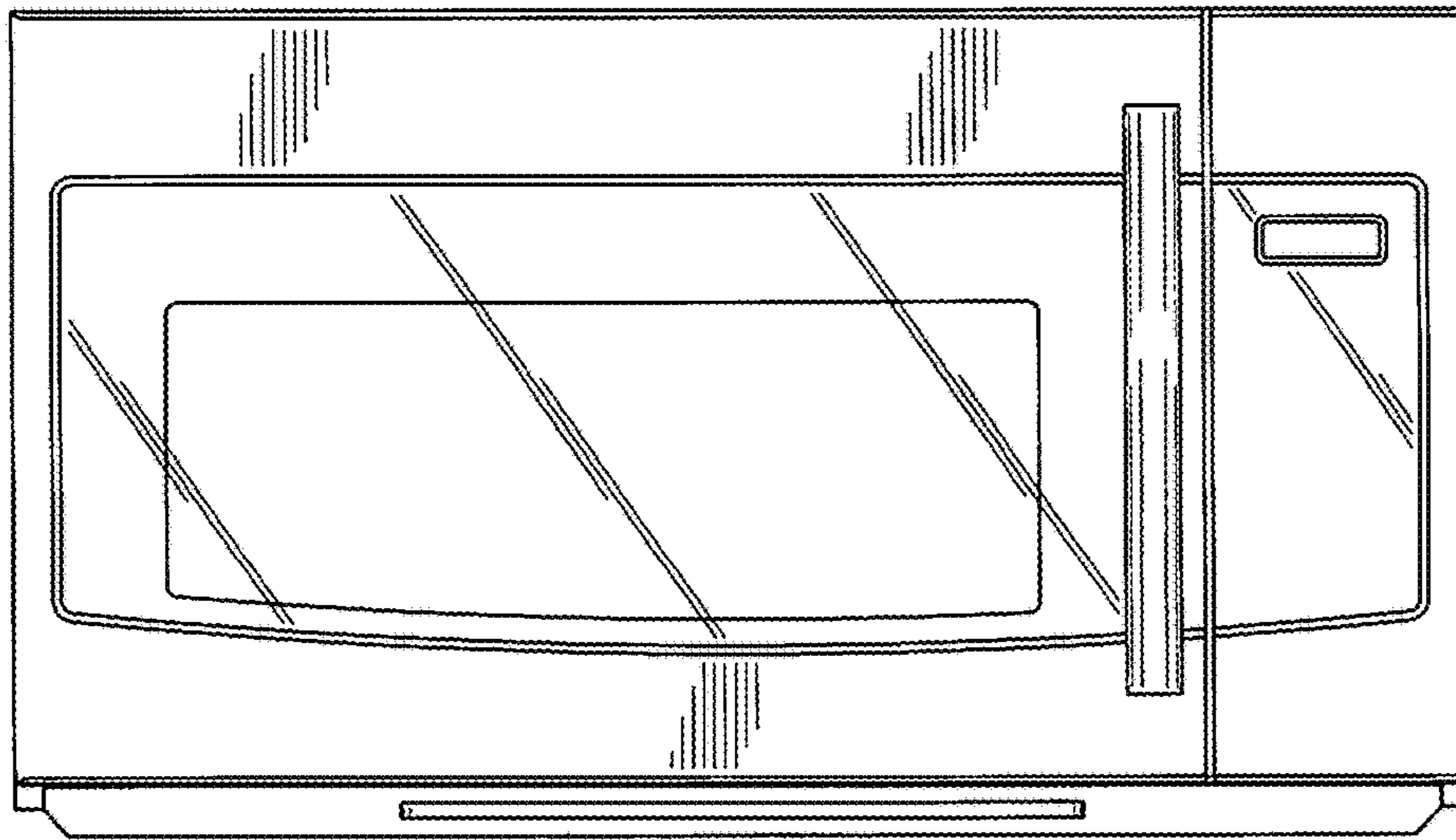


FIG. 3

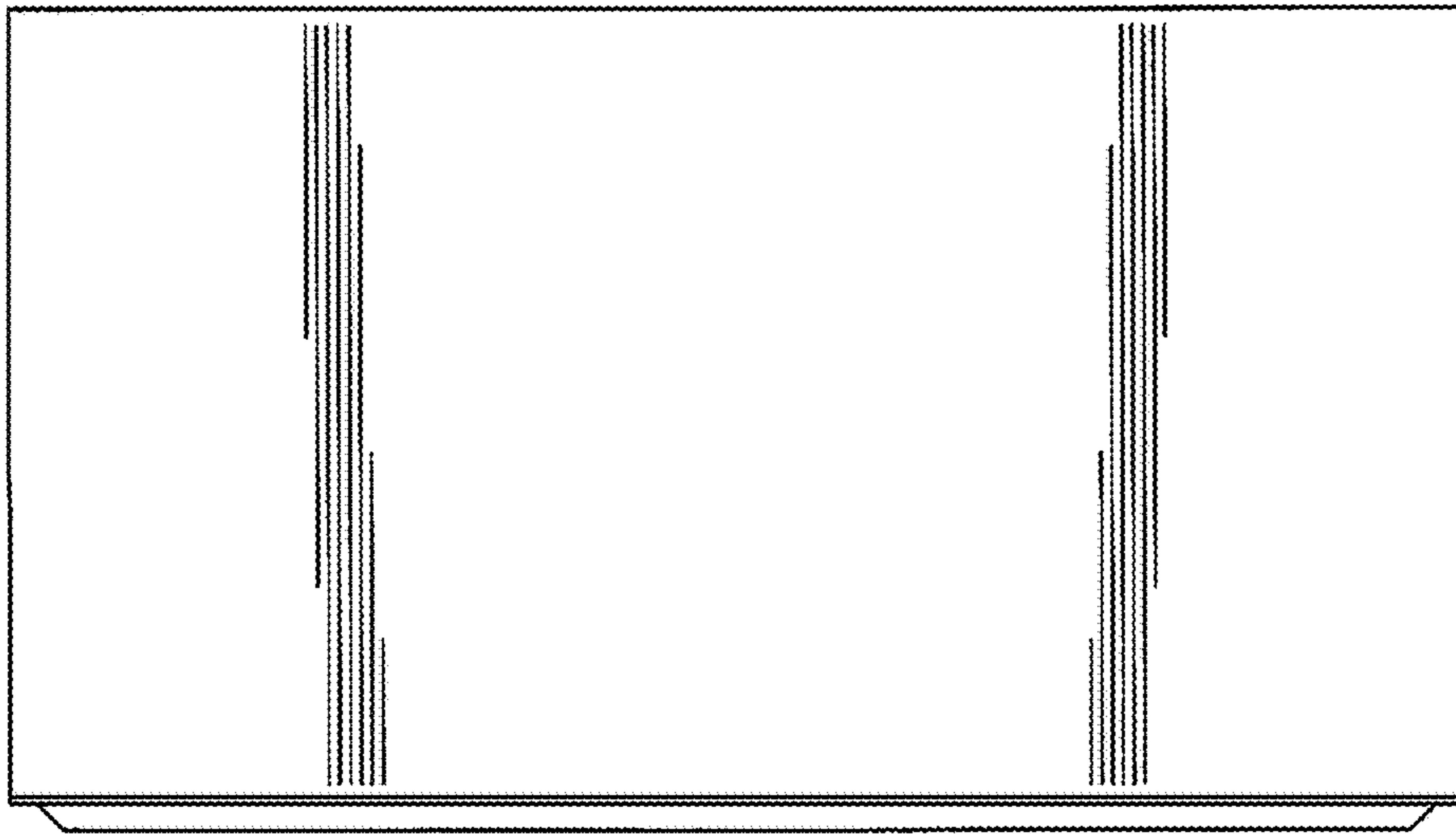


FIG. 4

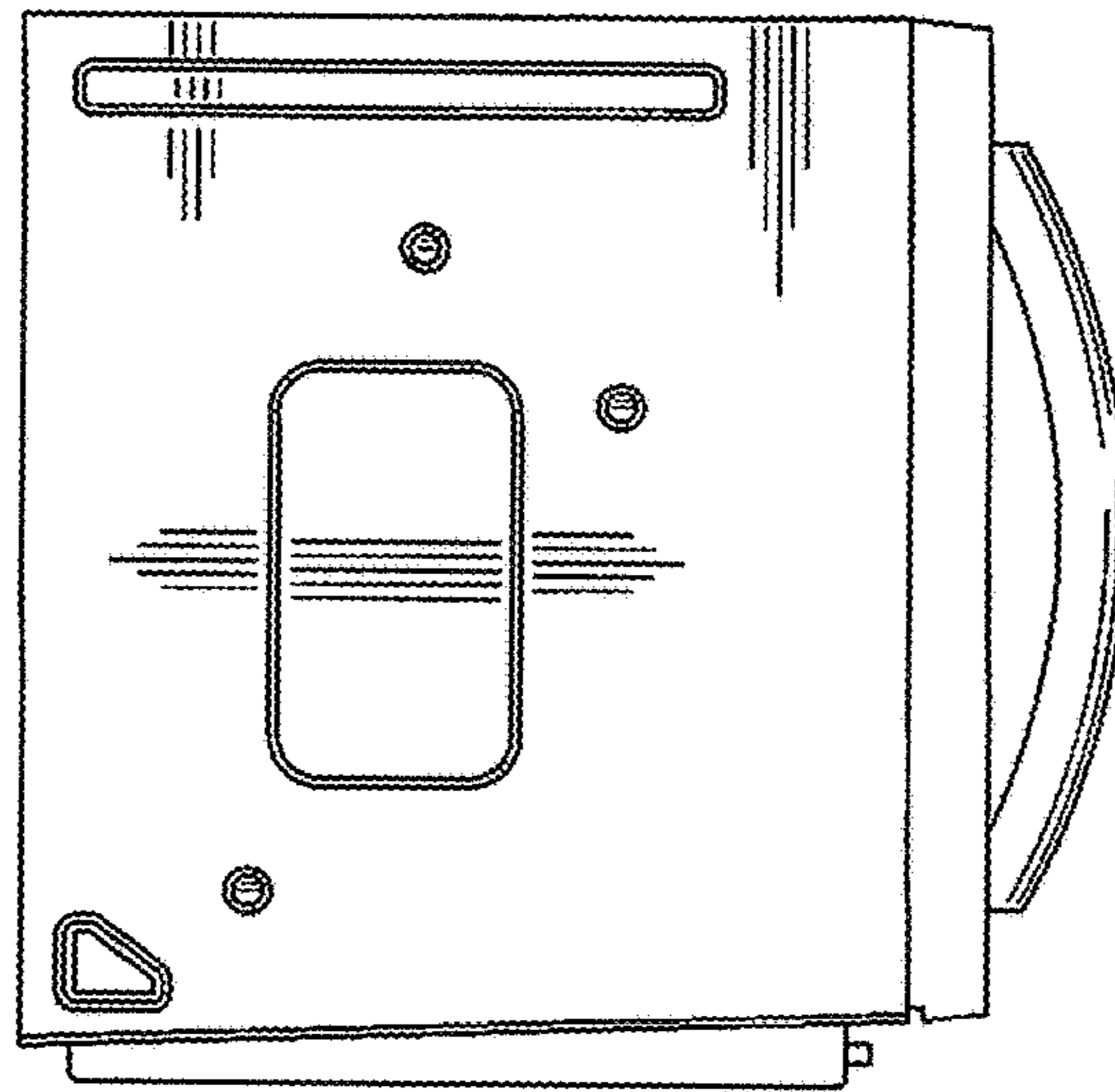


FIG. 5

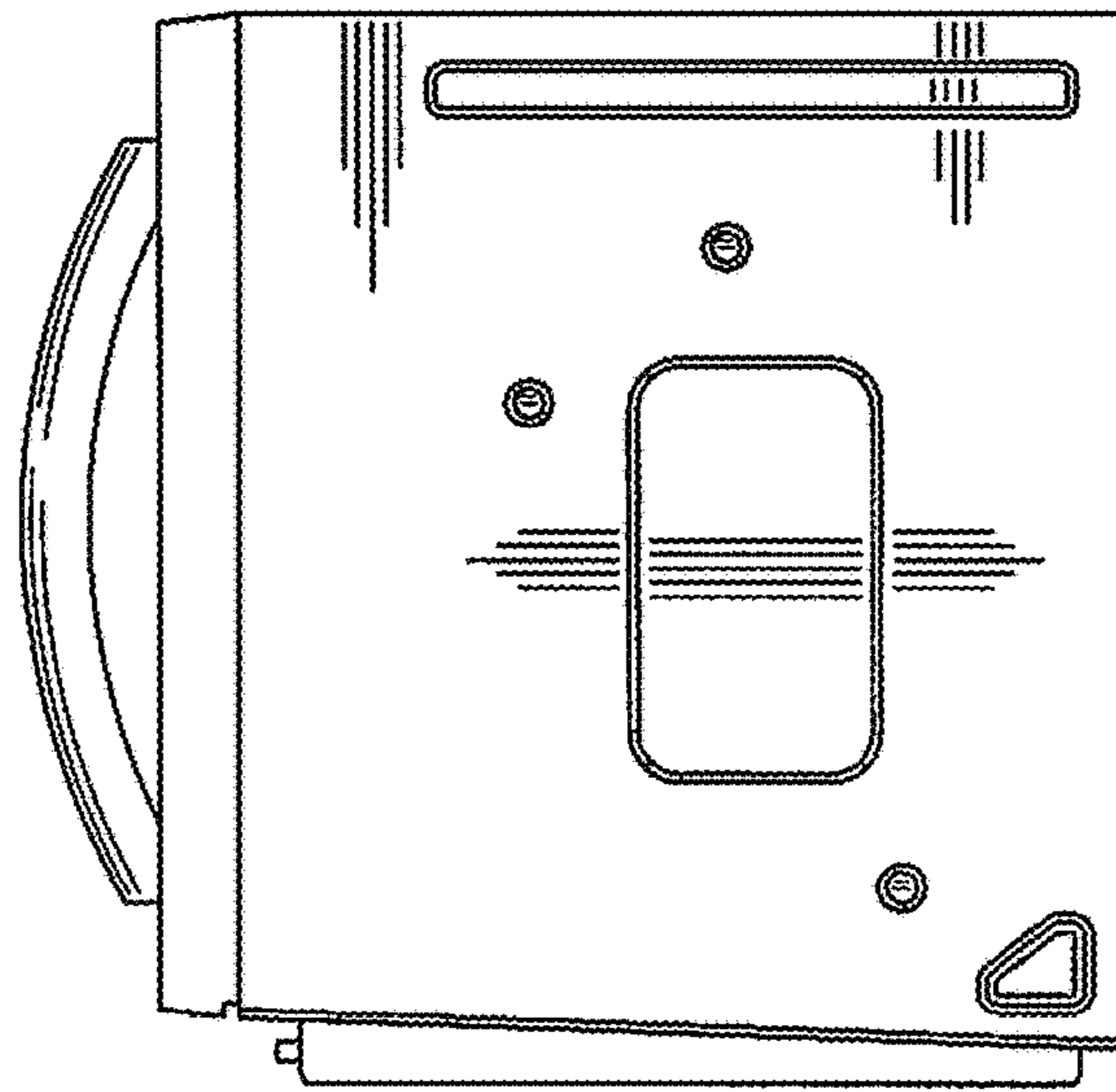


FIG. 6

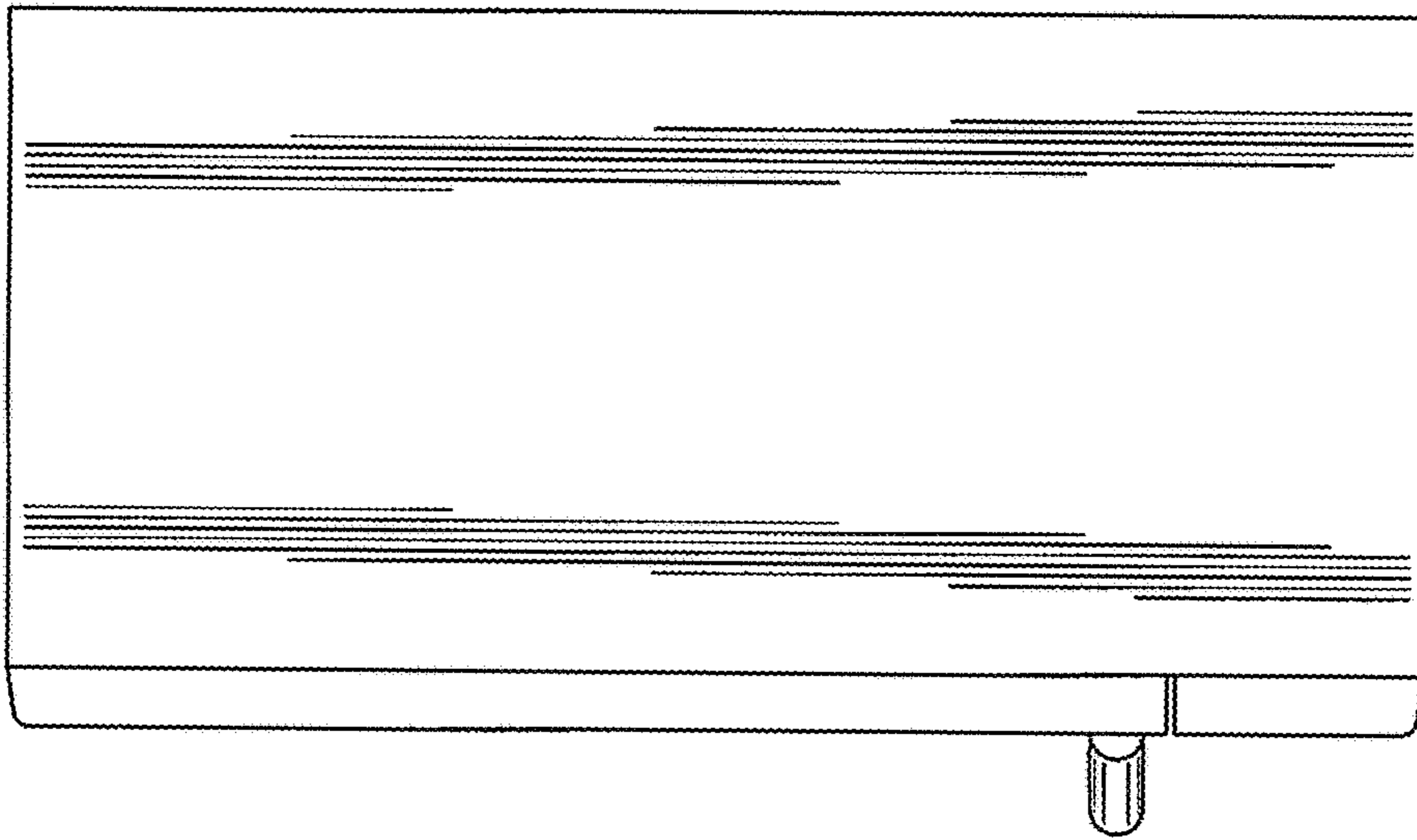


FIG. 7

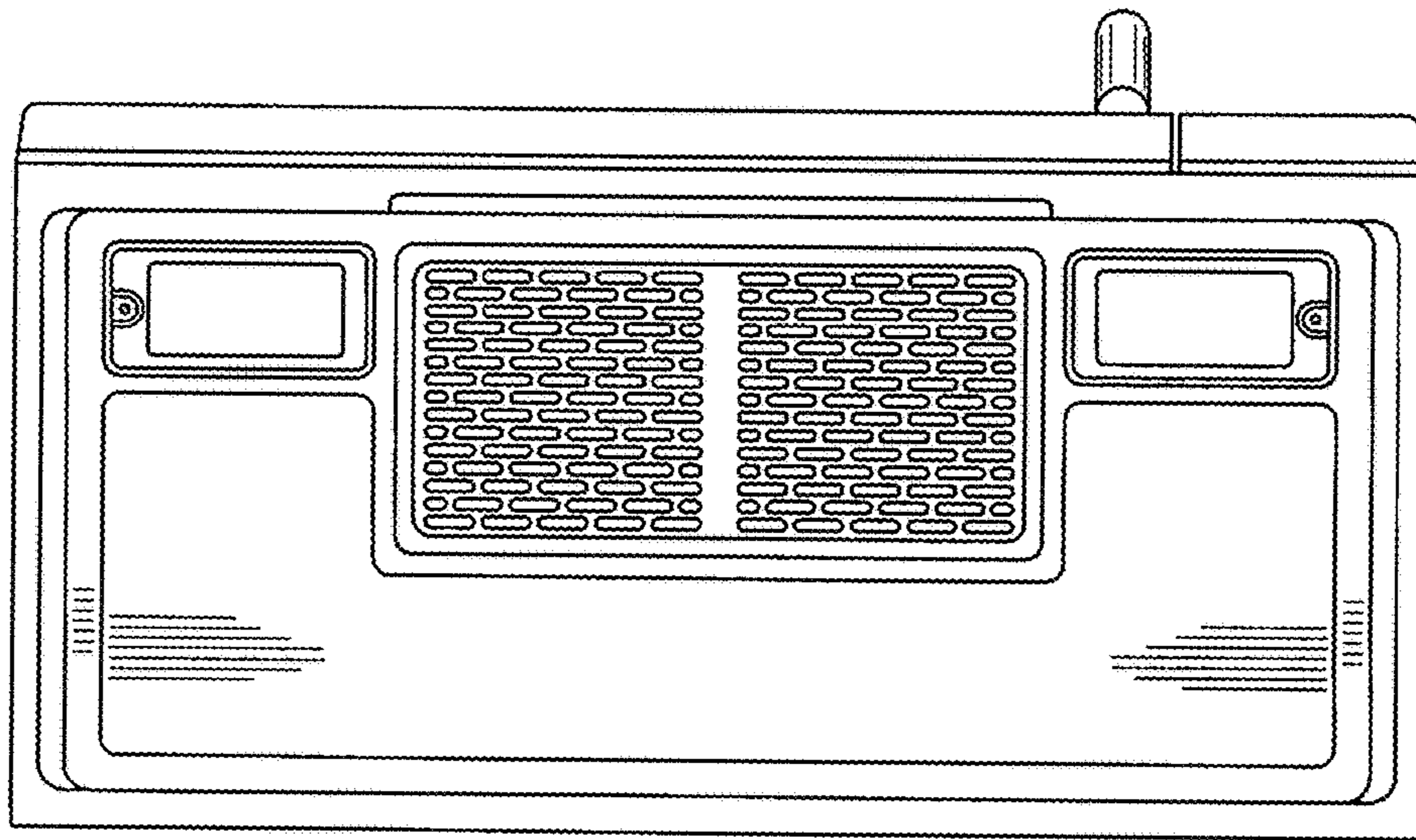


FIG. 8

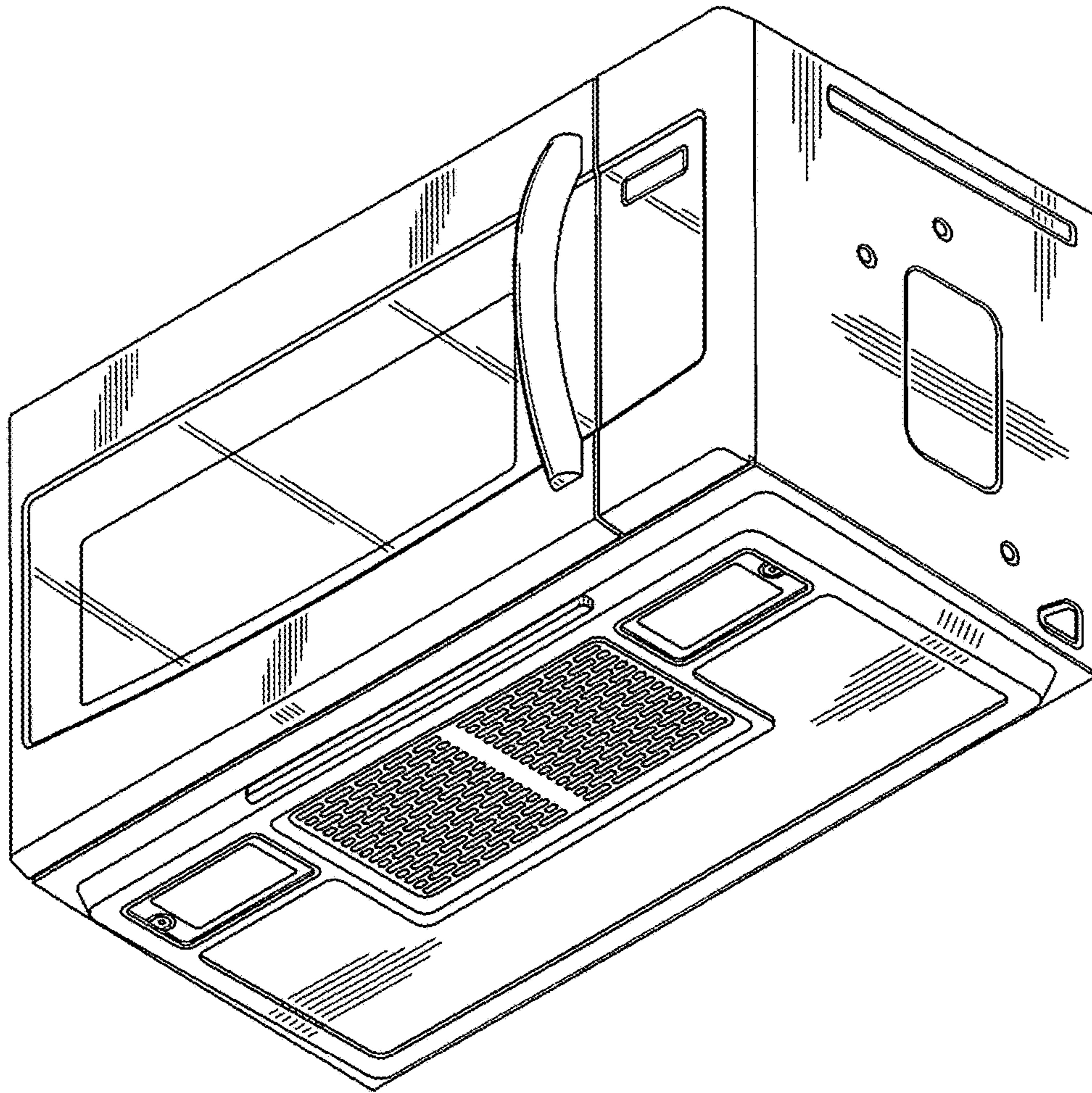
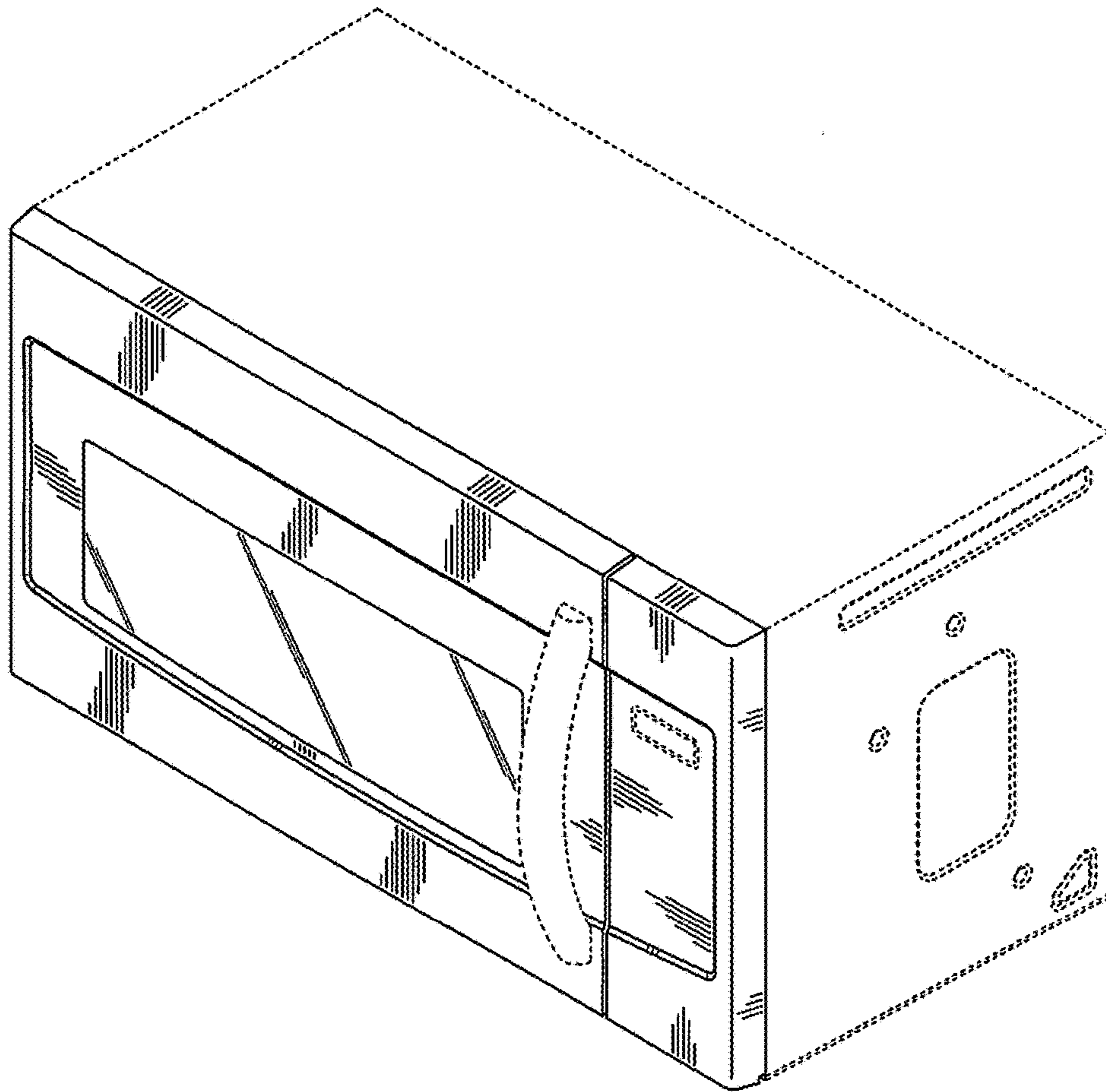
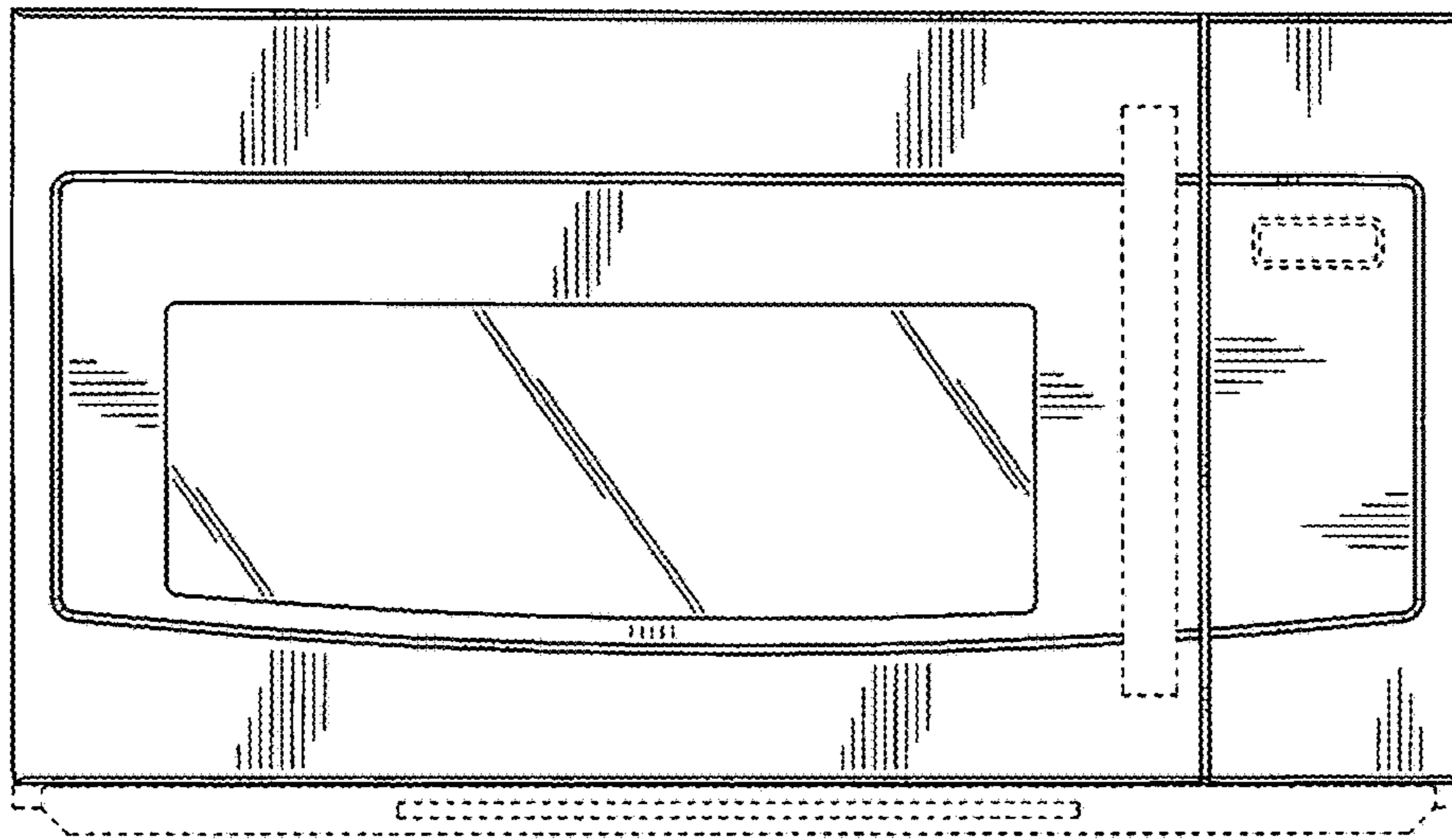


FIG. 9



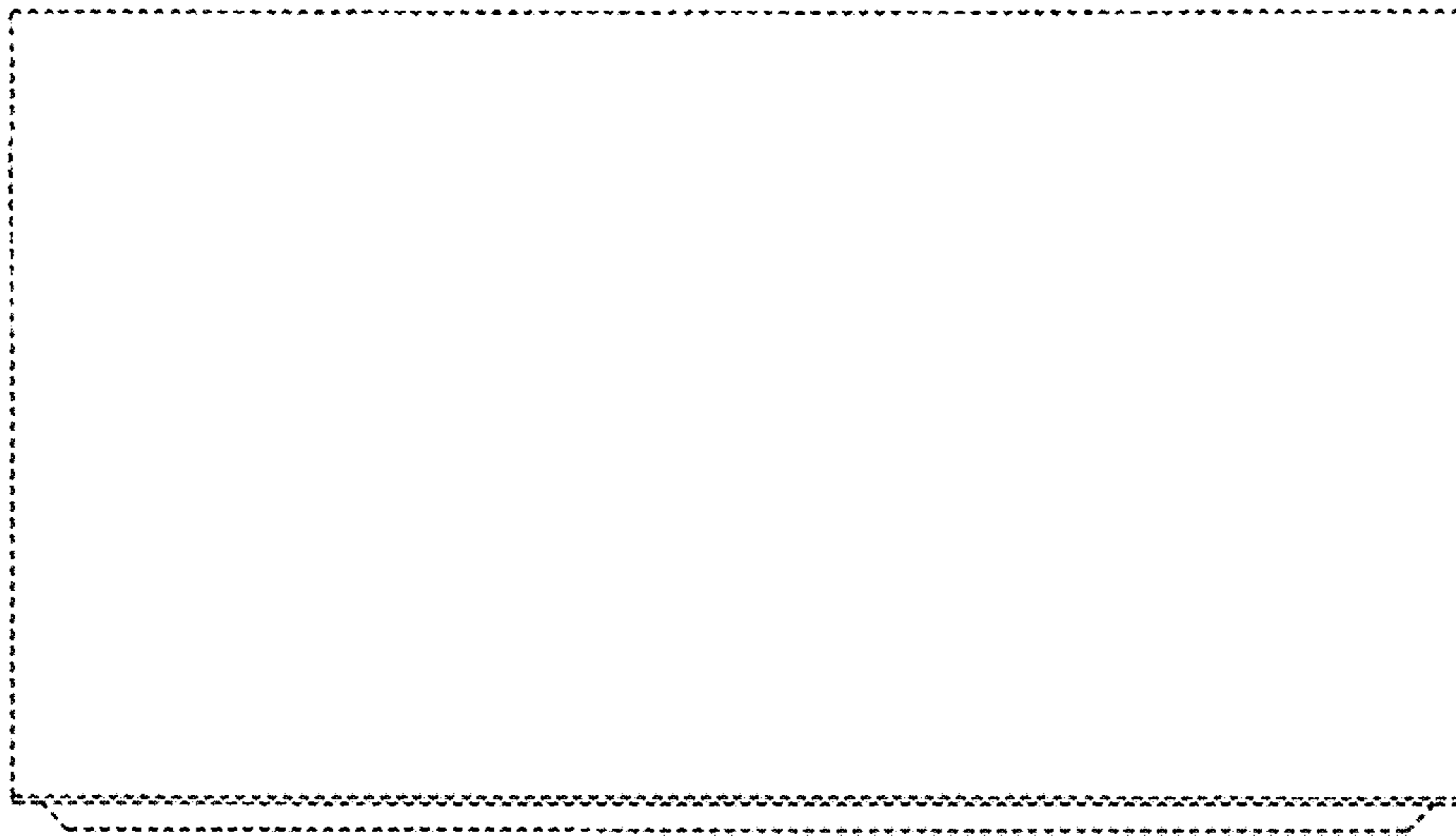
NEW

FIG. 10



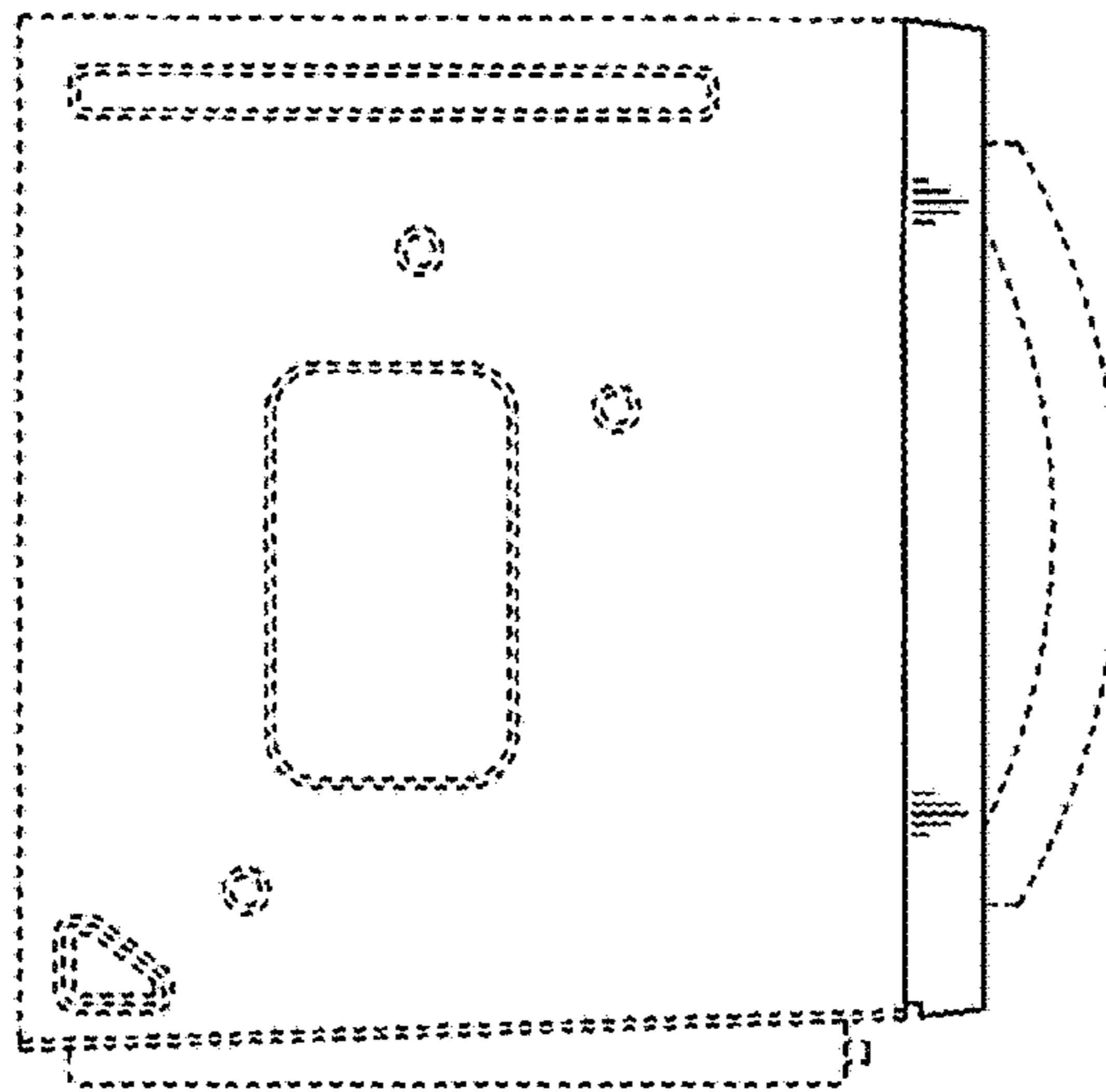
NEW

FIG. 11



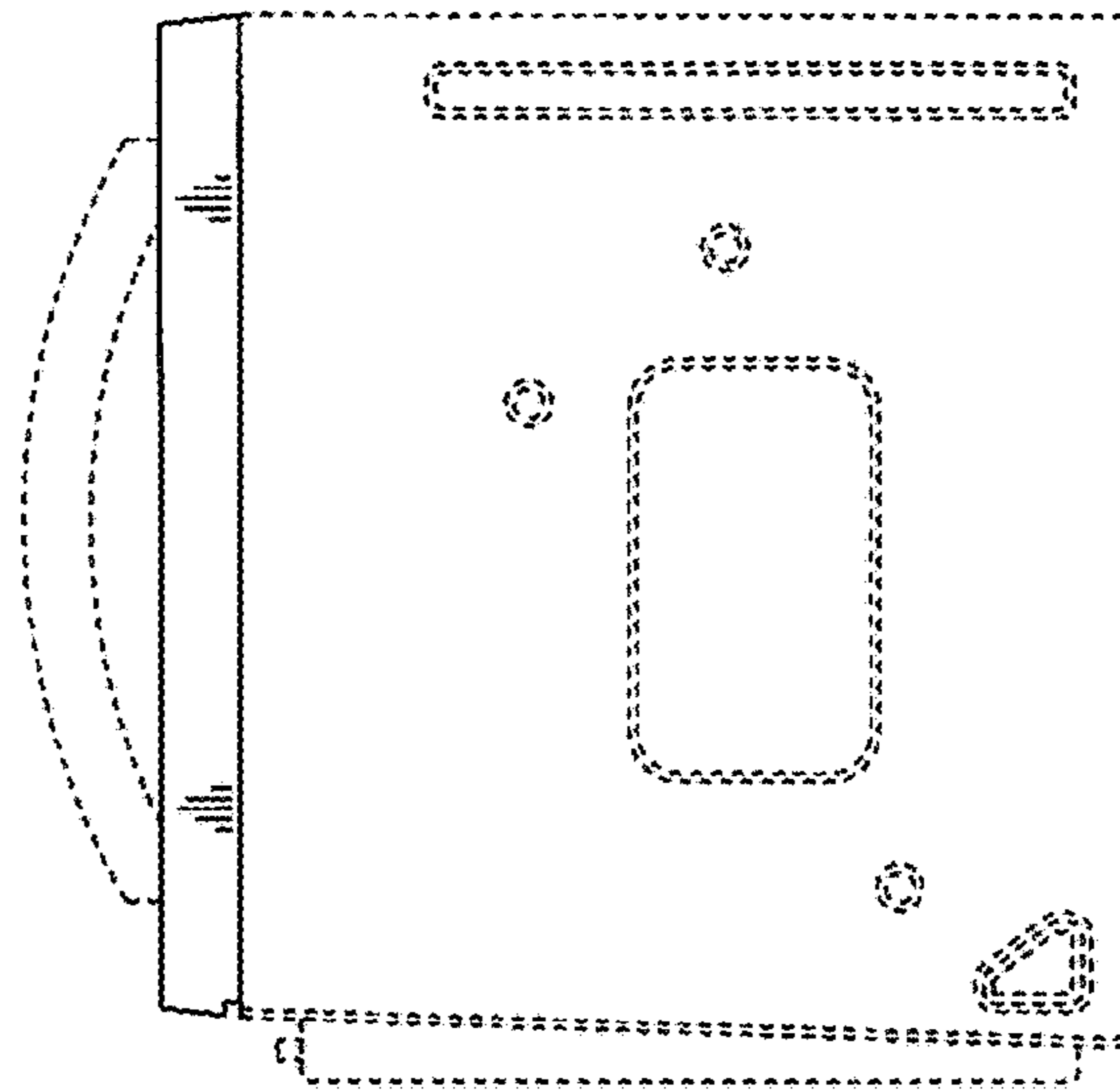
NEW

FIG. 12



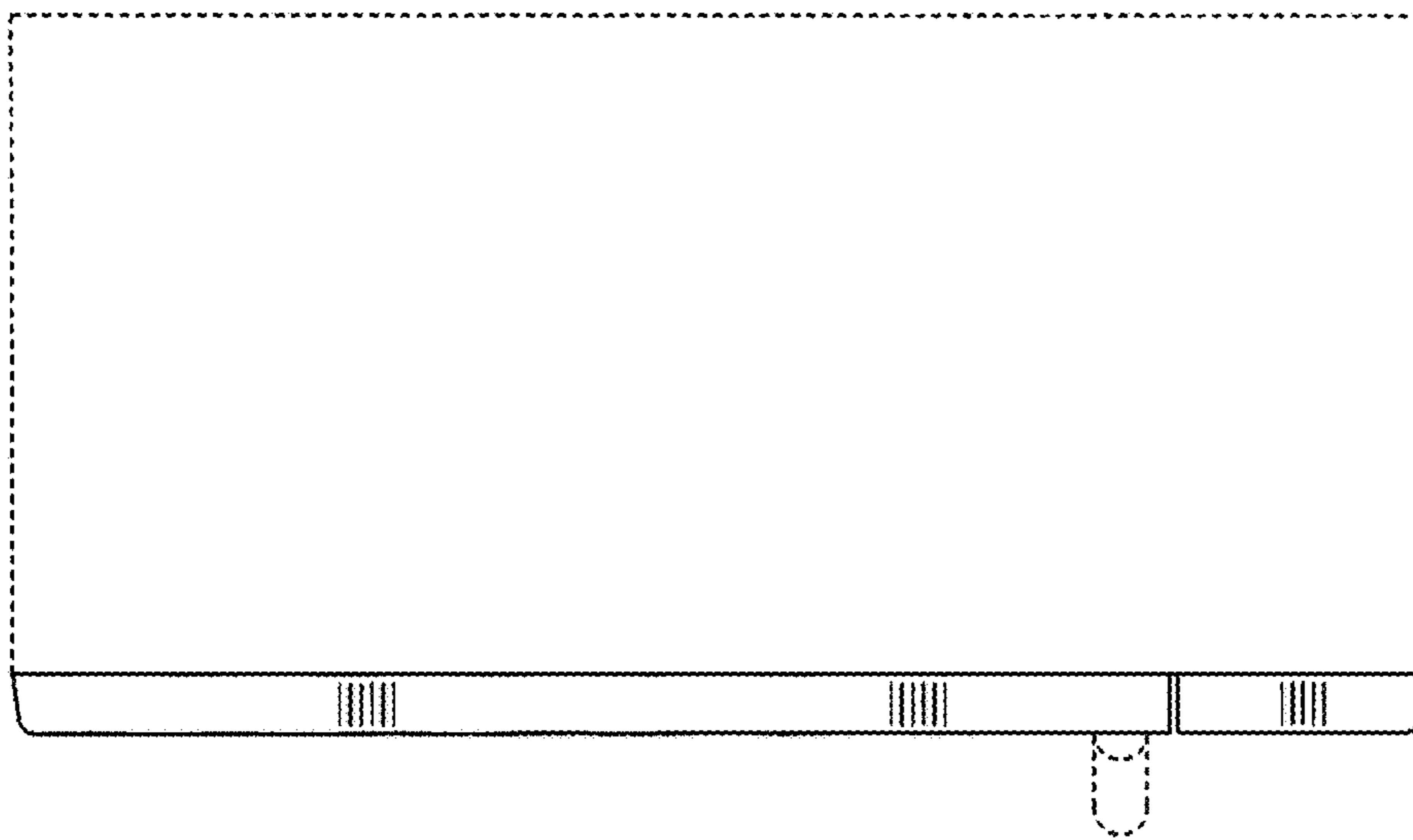
NEW

FIG. 13



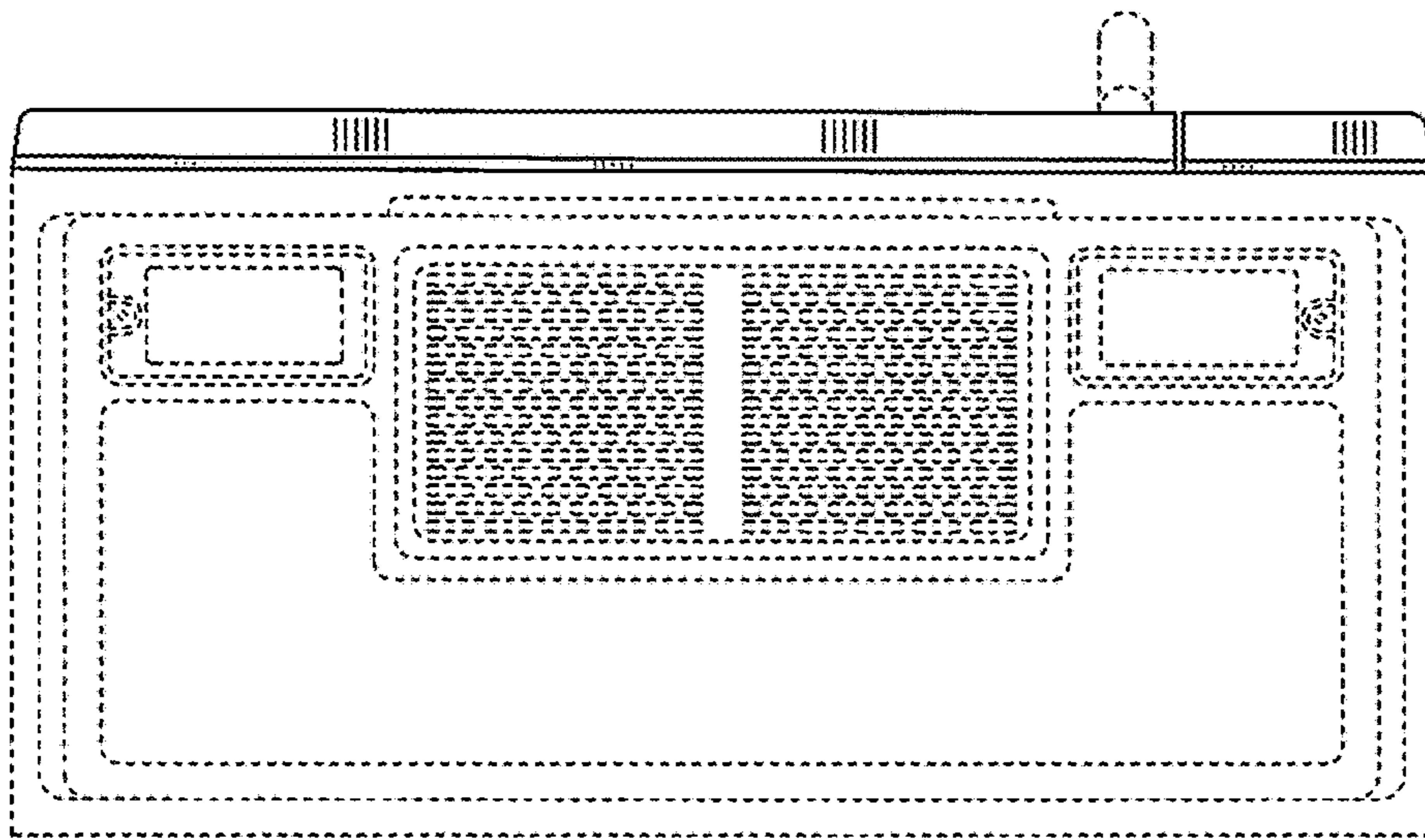
NEW

FIG. 14



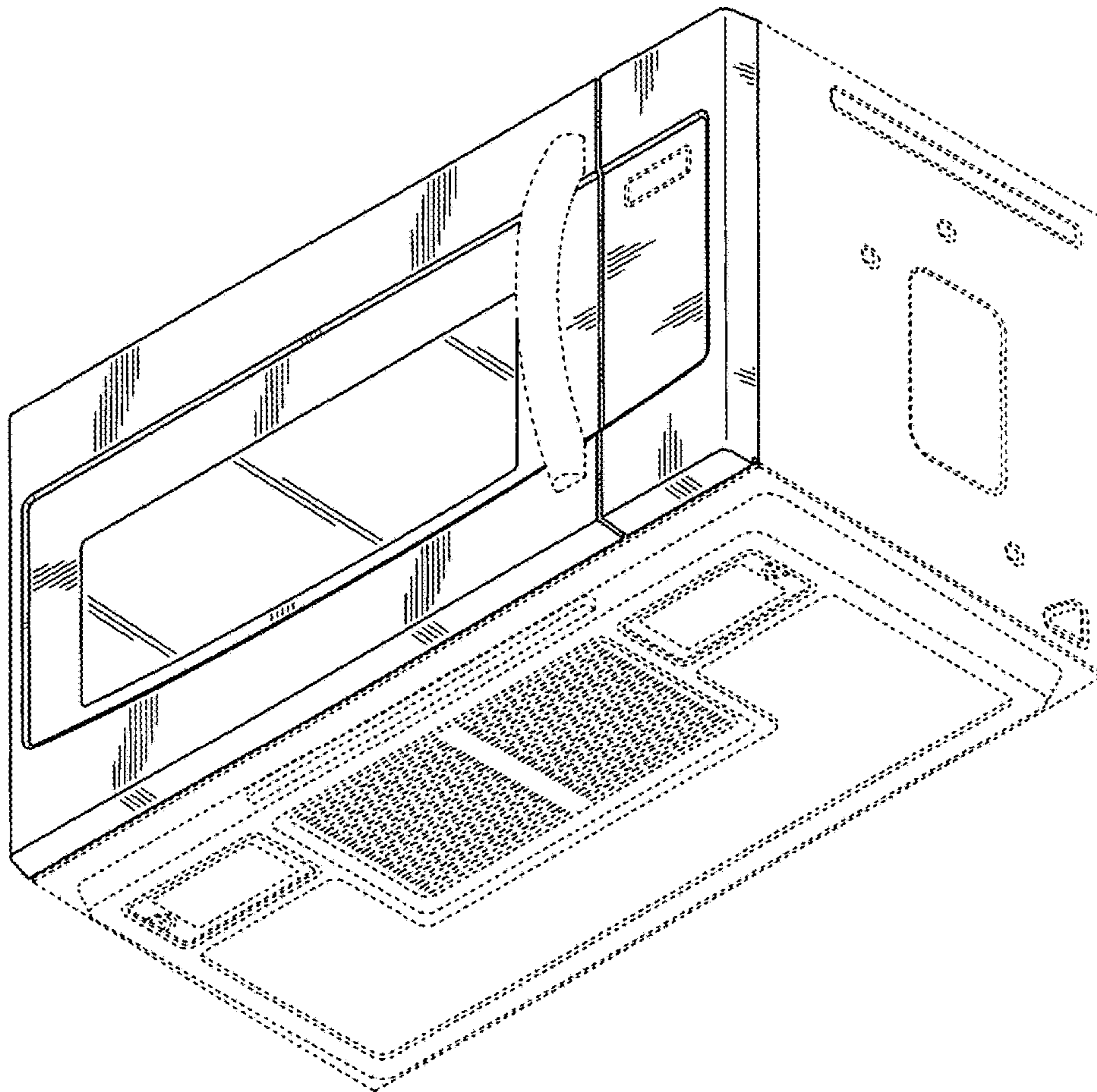
NEW

FIG. 15



NEW

FIG. 16



NEW